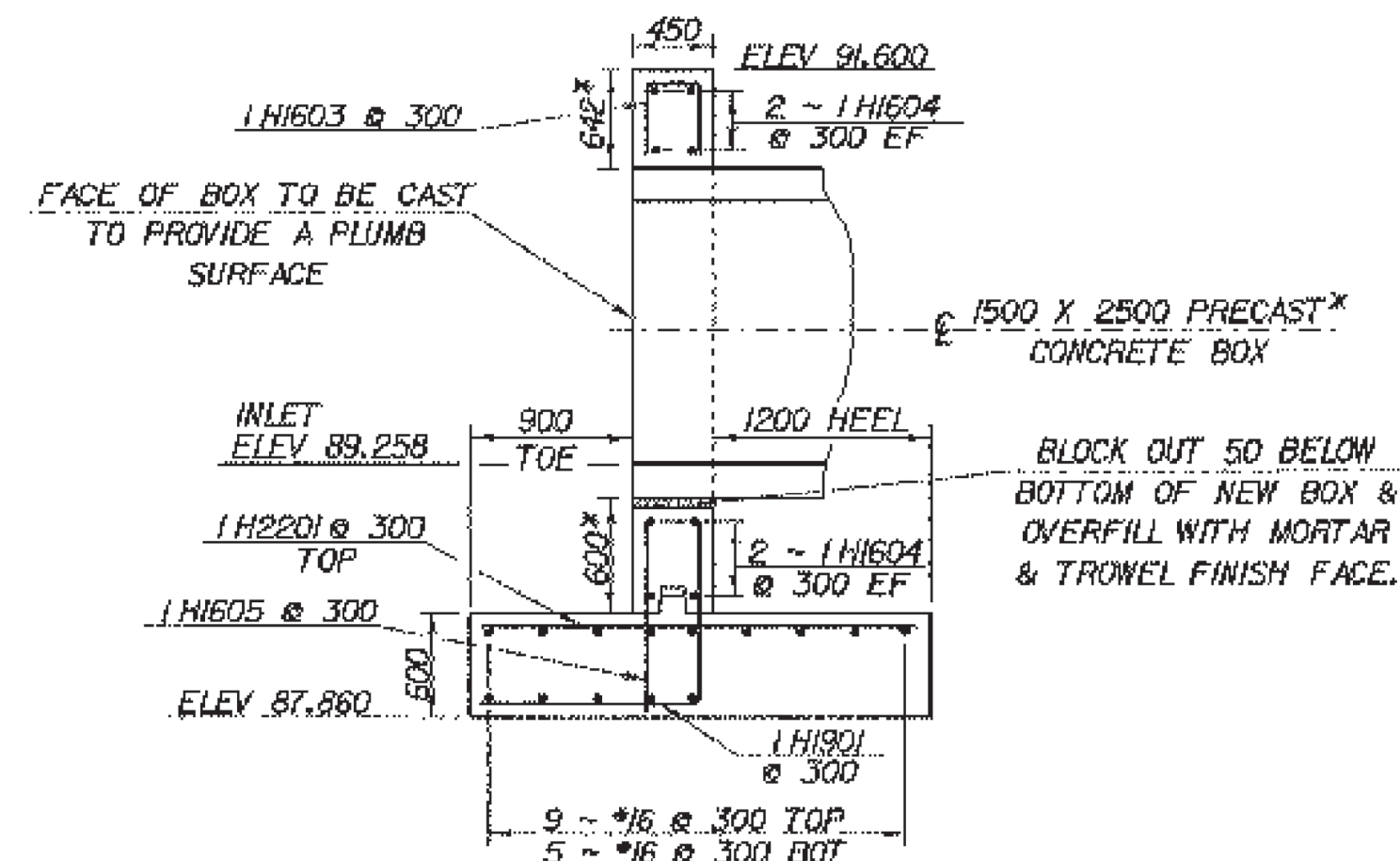
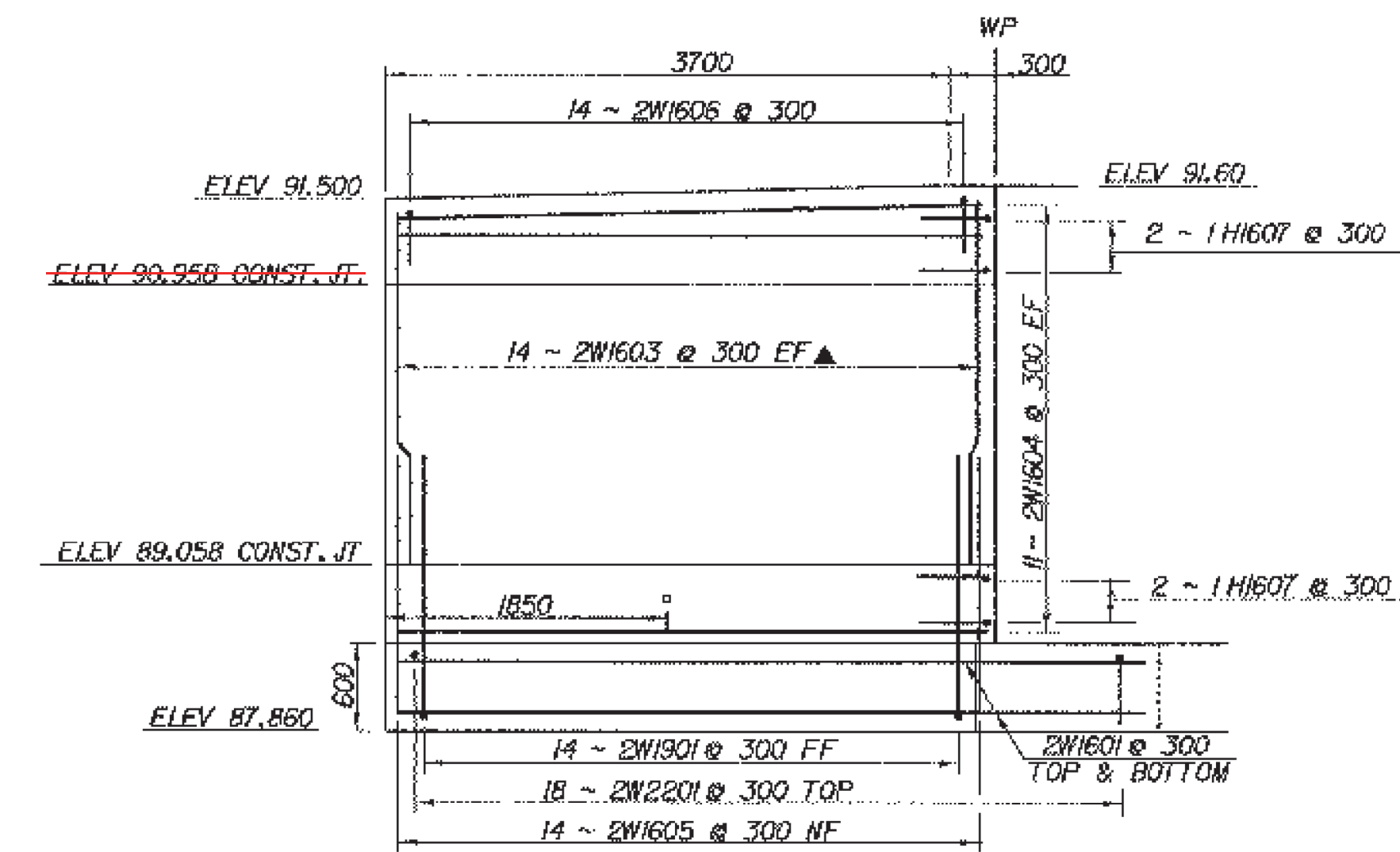


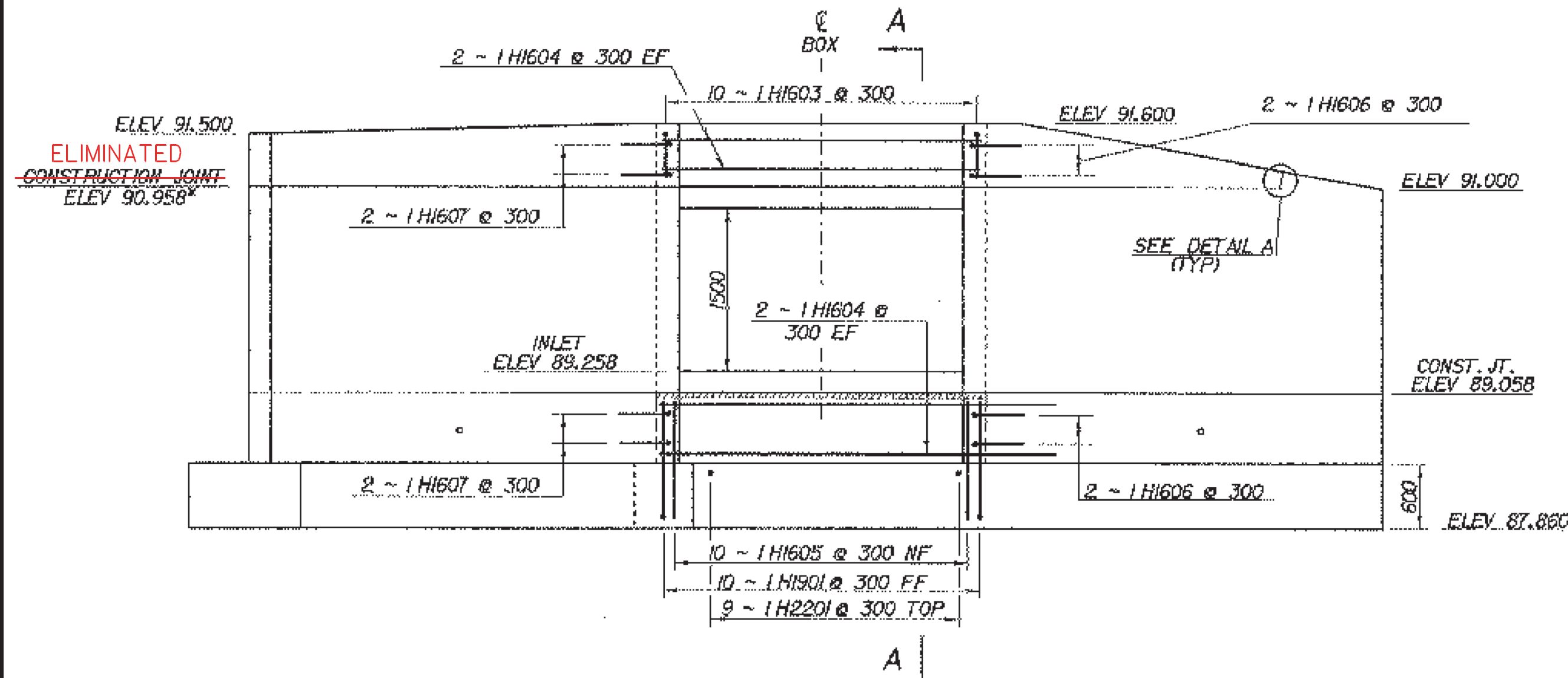
HEADWALL NO. 1 PLAN AT INLET
SCALE - 1:40



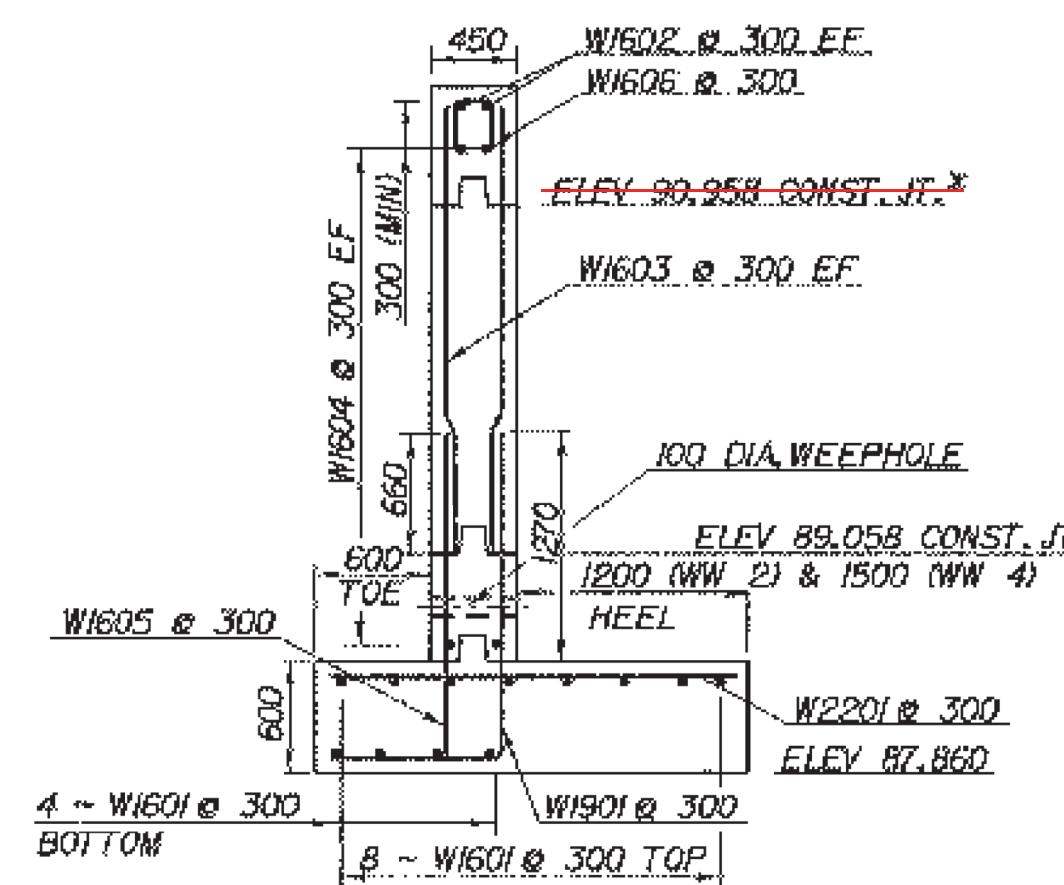
INLET HEADWALL SECTION A-A
SCALE - 1:40



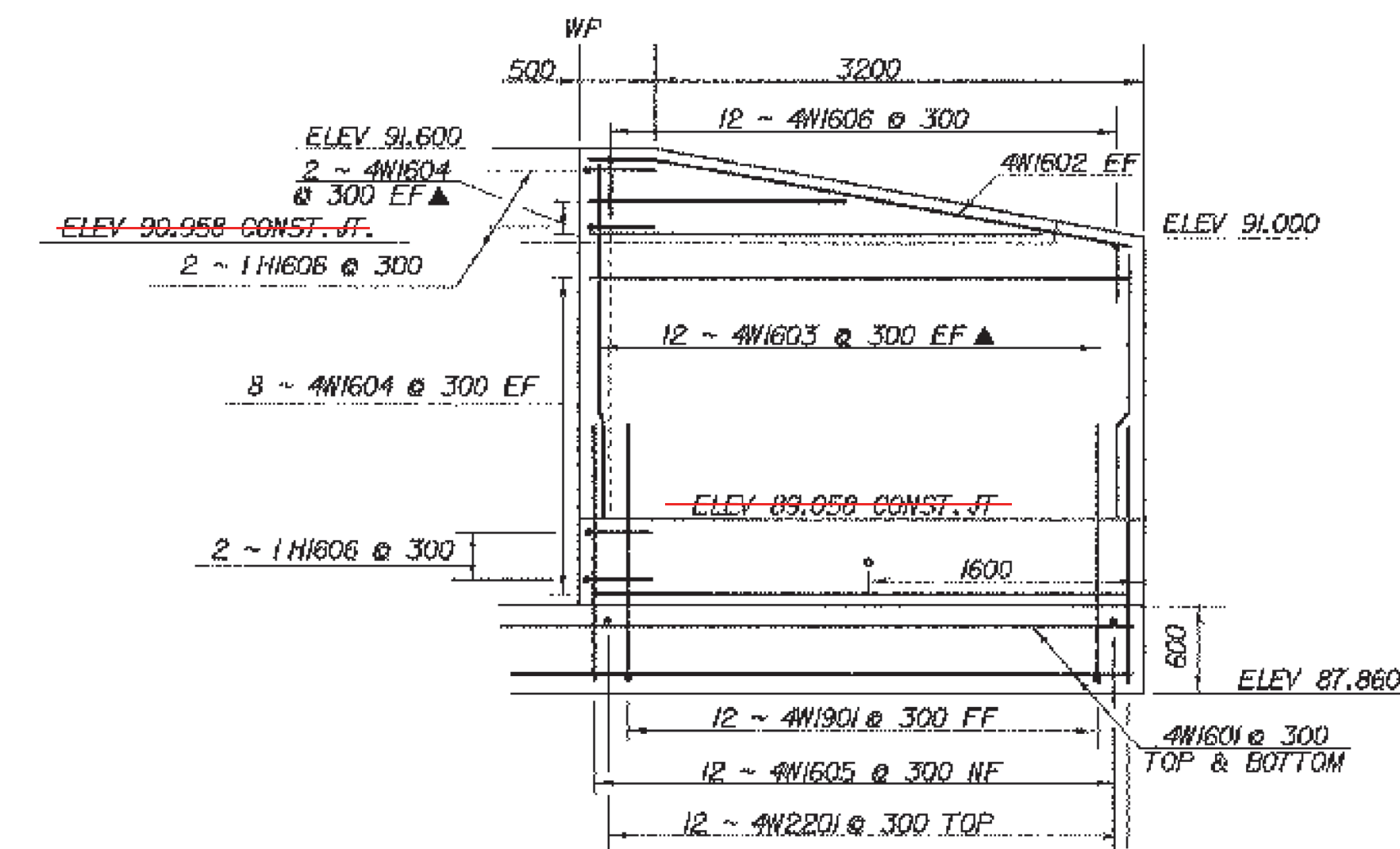
WINGWALL NO. 2 ELEVATION
SCALE - 1:40



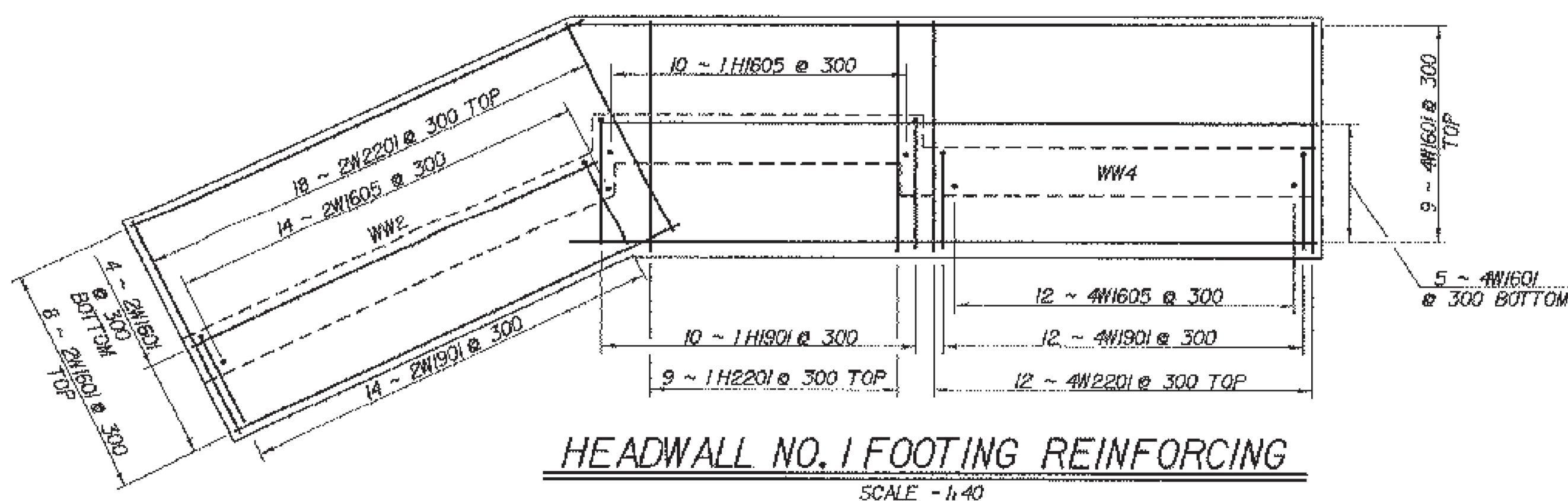
HEADWALL NO. 1 ELEVATION
SCALE - 1:40



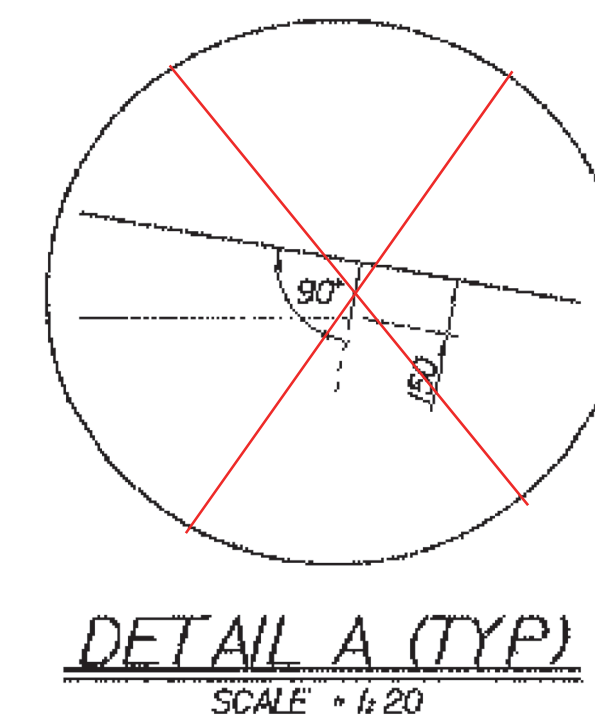
WINGWALL SECTION TYPICAL
SCALE - 1:40



WINGWALL NO. 4 ELEVATION
SCALE - 1:40



HEADWALL NO. 1 FOOTING REINFORCING
SCALE - 1:40



DETAIL A (TYP)
SCALE - 1:20

CONSTRUCTION JOINT
ELIMINATED IN WINGS

NOTE:

- NF - NEAR FACE
- FF - FAR FACE
- EF - EACH FACE
- ▲ - CUT TO FIT IN FIELD
- ØØ CLR. UNLESS OTHERWISE SPECIFIED ON THE PLANS.
- 3000 MAX WEEPHOLE SPACING

REVISED 14-MAR-03

SHEET NAME: HEADWALL NUMBER 1	
PROJECT NAME: FAIR HAVEN-HAMPTON	HIGHWAY NO.: TH 6
PROJECT NUMBER: BRO 1443(32)	BRIDGE NO.: 6
	OVER: POULTNEY RIVER
FILE NAME: /str1/93j021/sj02ibox.dgn	PLOT DATE: 23-MAR-2005
PROJECT MANAGER: C.S. ROGERS	DRAWN BY: J.GILMORE
DESIGNED BY: C. MEUNIER	IPARM NAME: sj02ibx8.1
BRIDGE SHEET NUMBER:	SHEET 32 OF 53