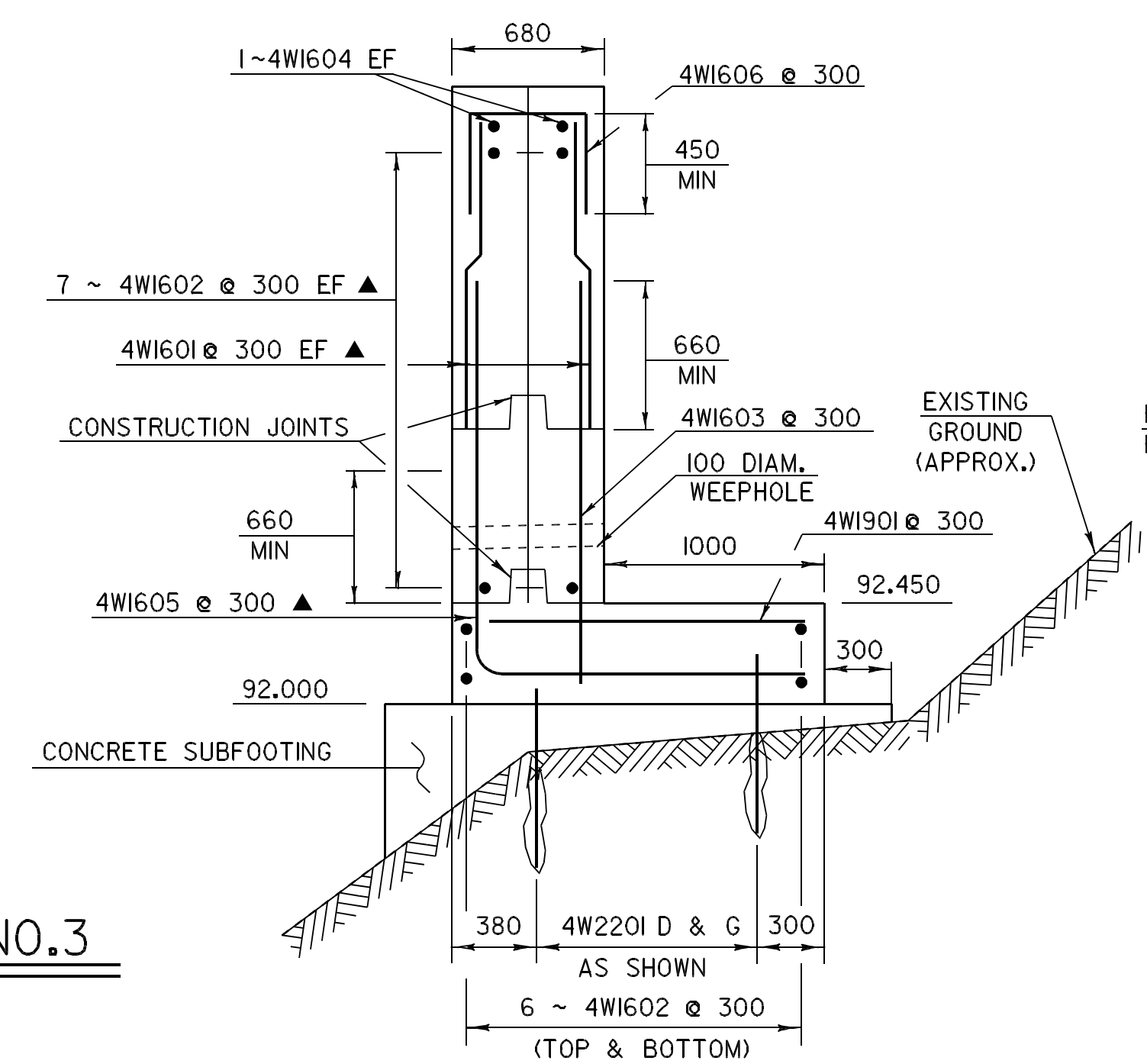
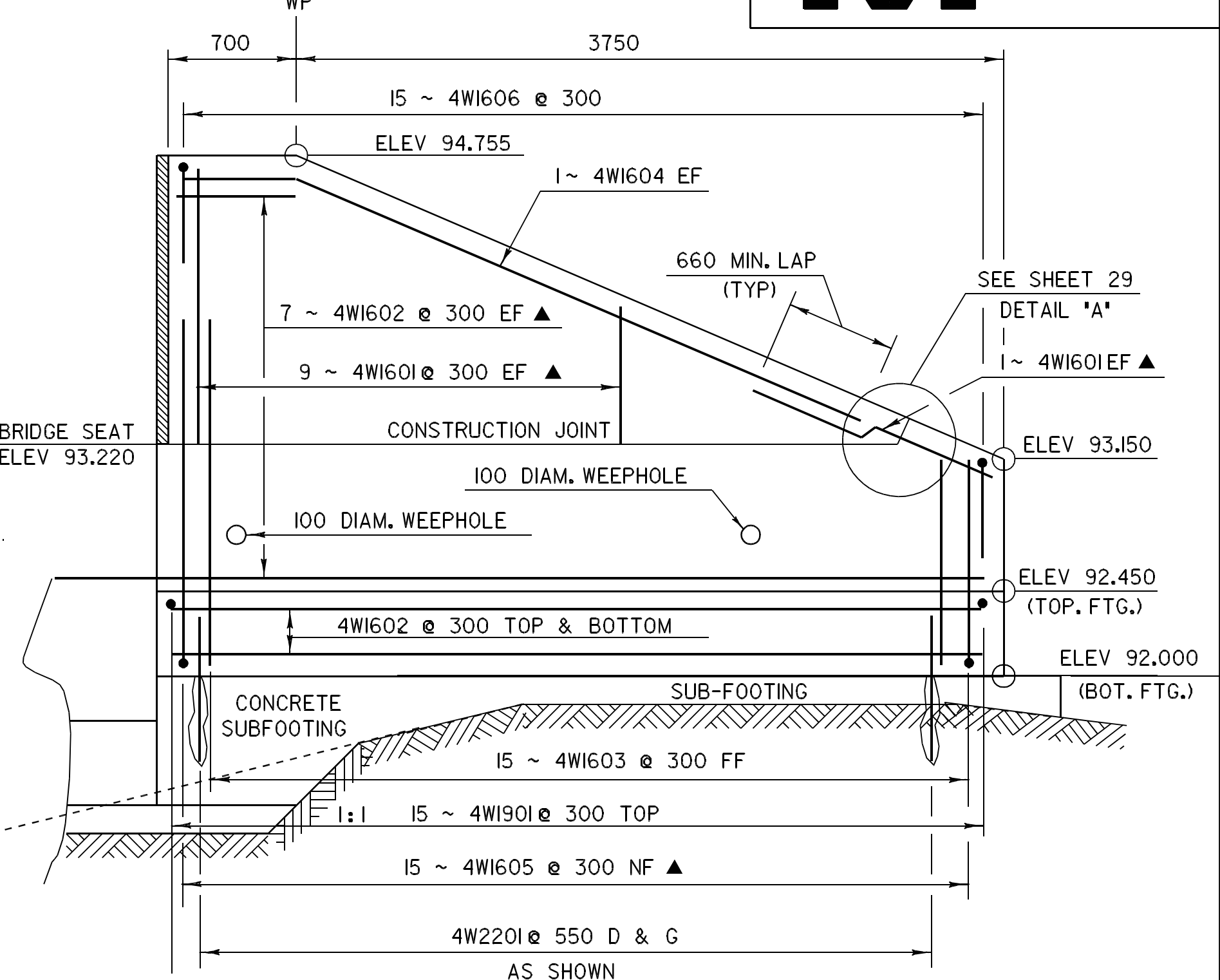


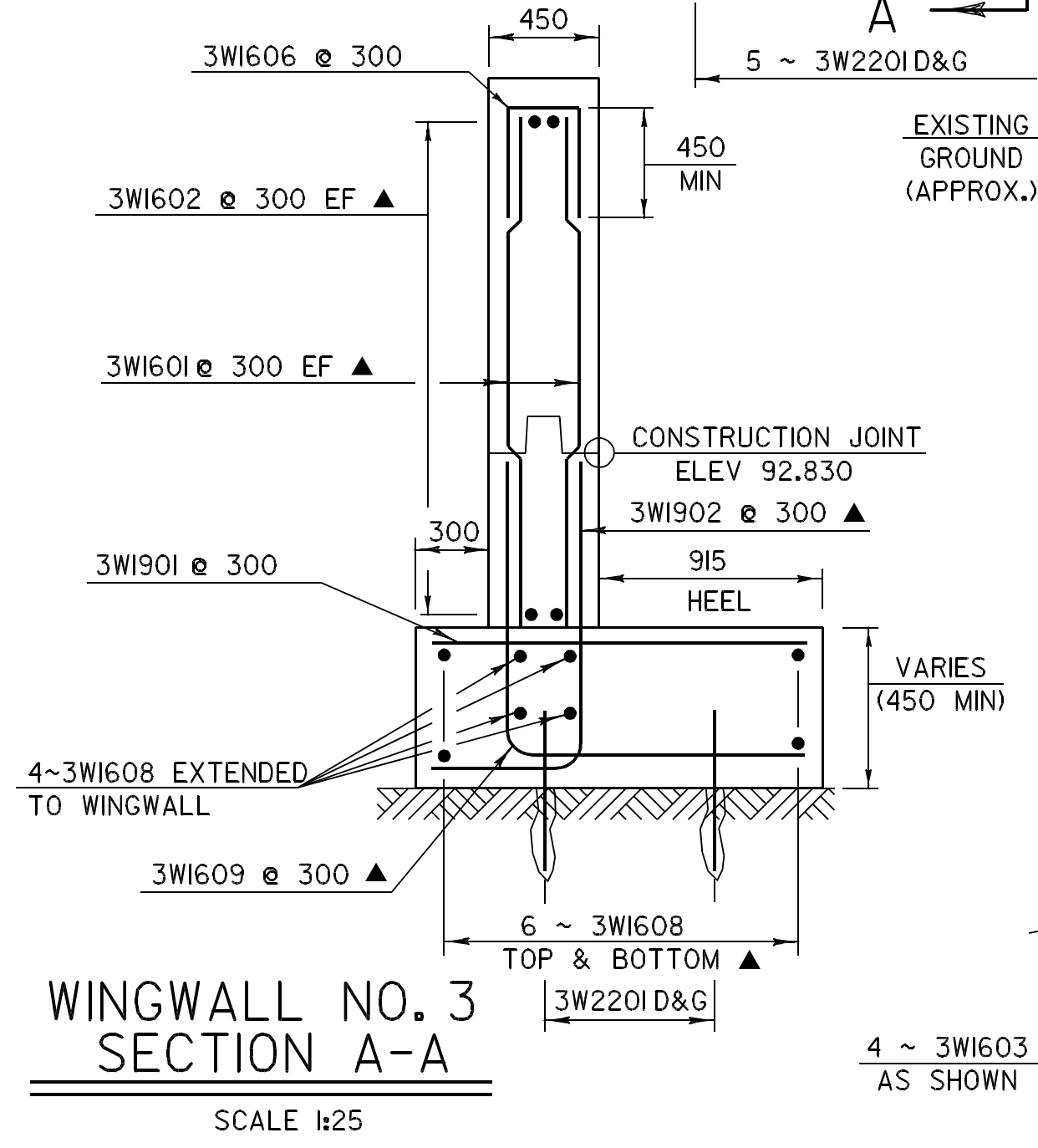
**WINGWALL NO. 3**  
SCALE 1:25



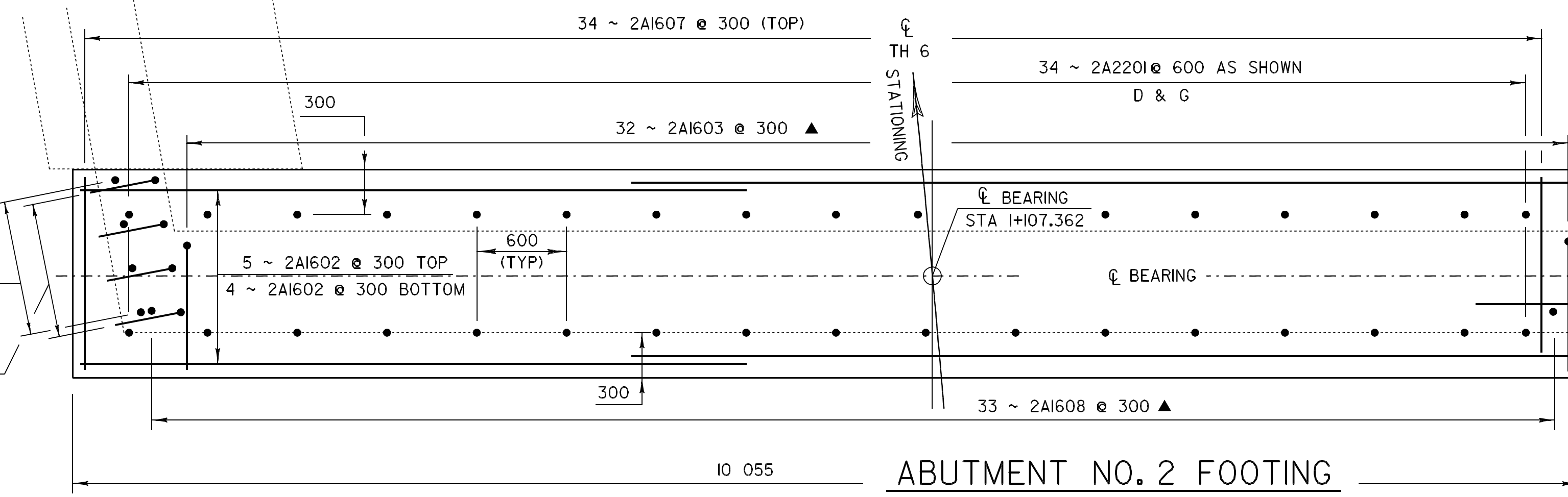
**WINGWALL NO. 4  
TYPICAL SECTION**  
SCALE 1:25



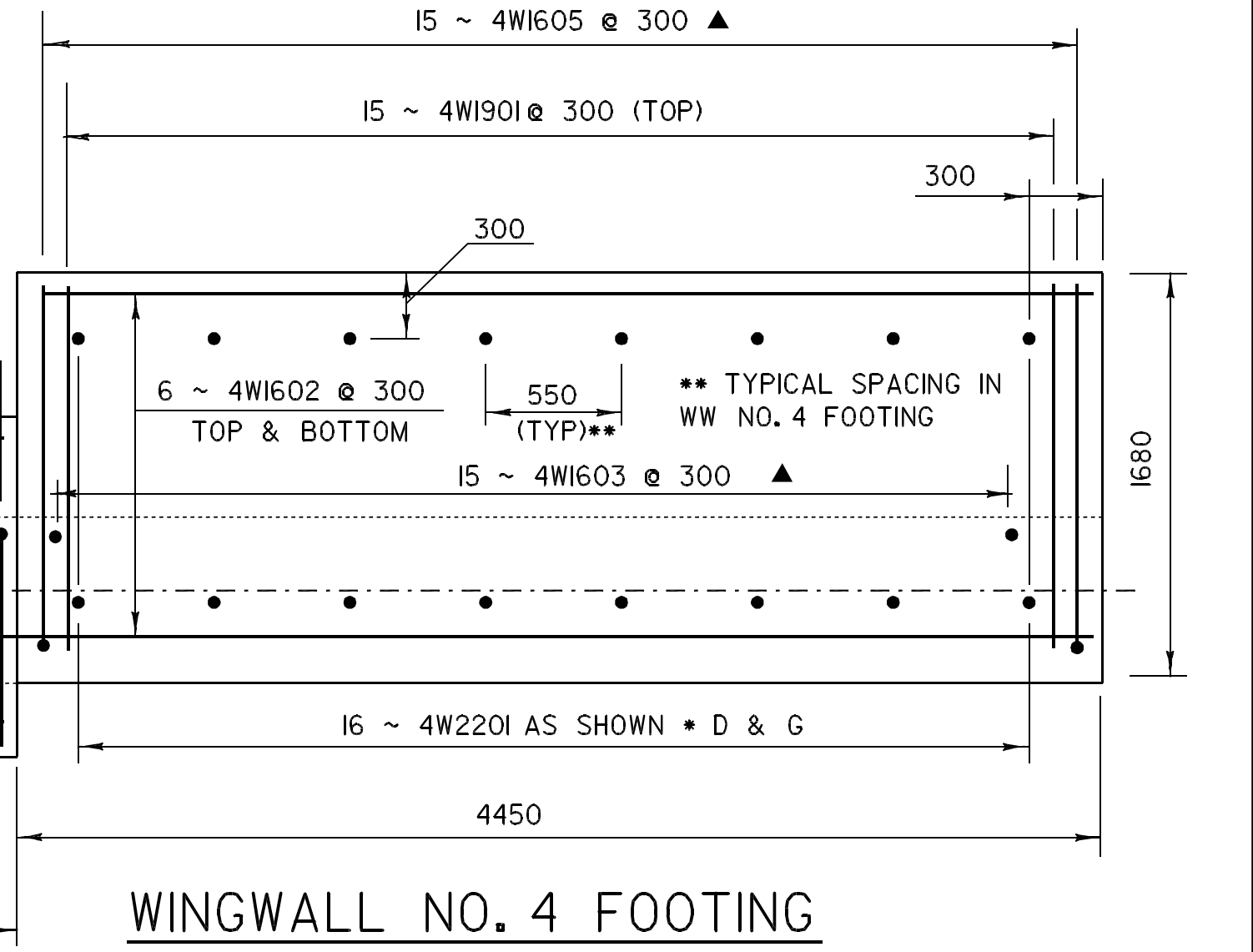
**WINGWALL NO. 4**  
SCALE 1:25



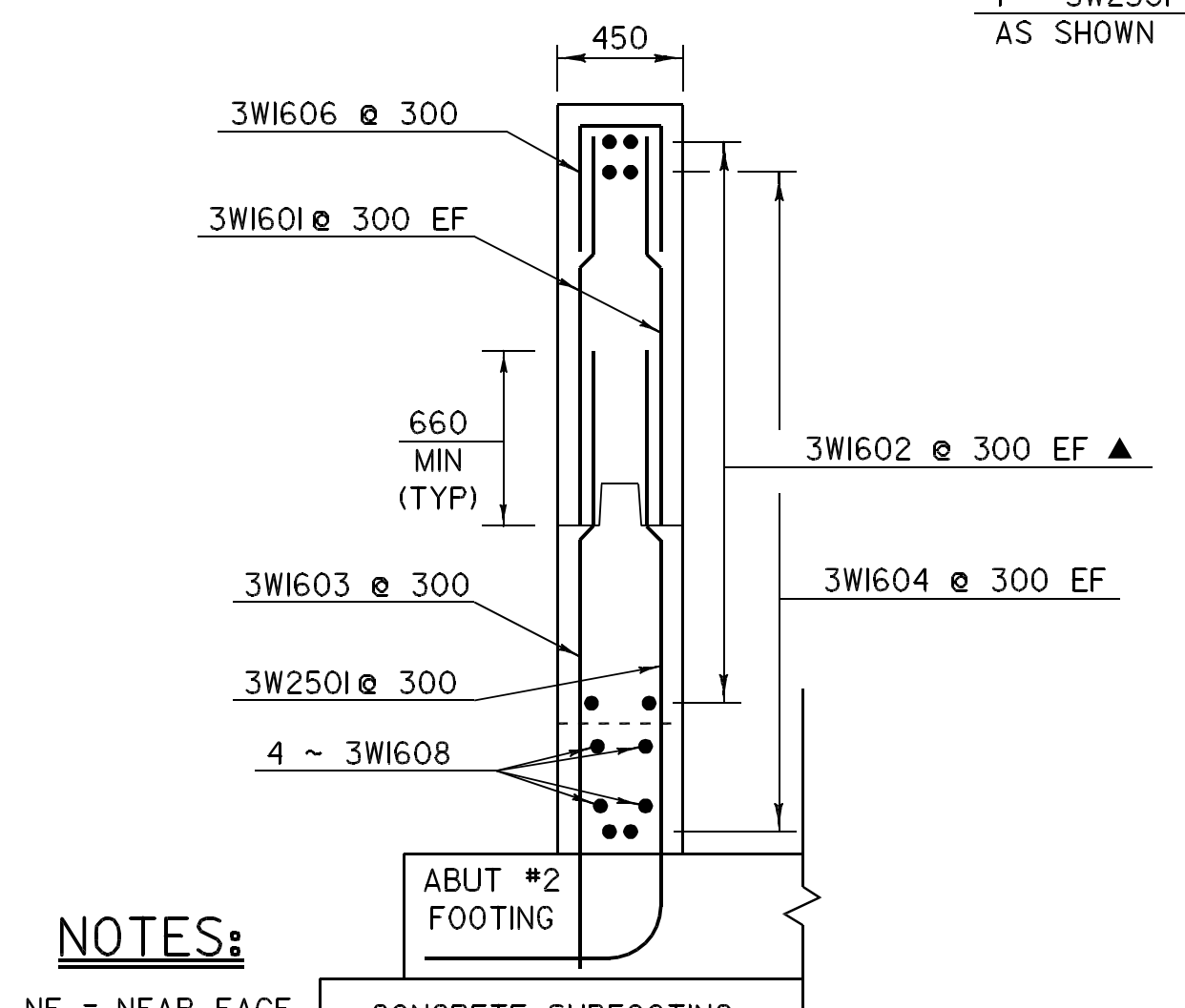
**WINGWALL NO. 3  
SECTION A-A**  
SCALE 1:25



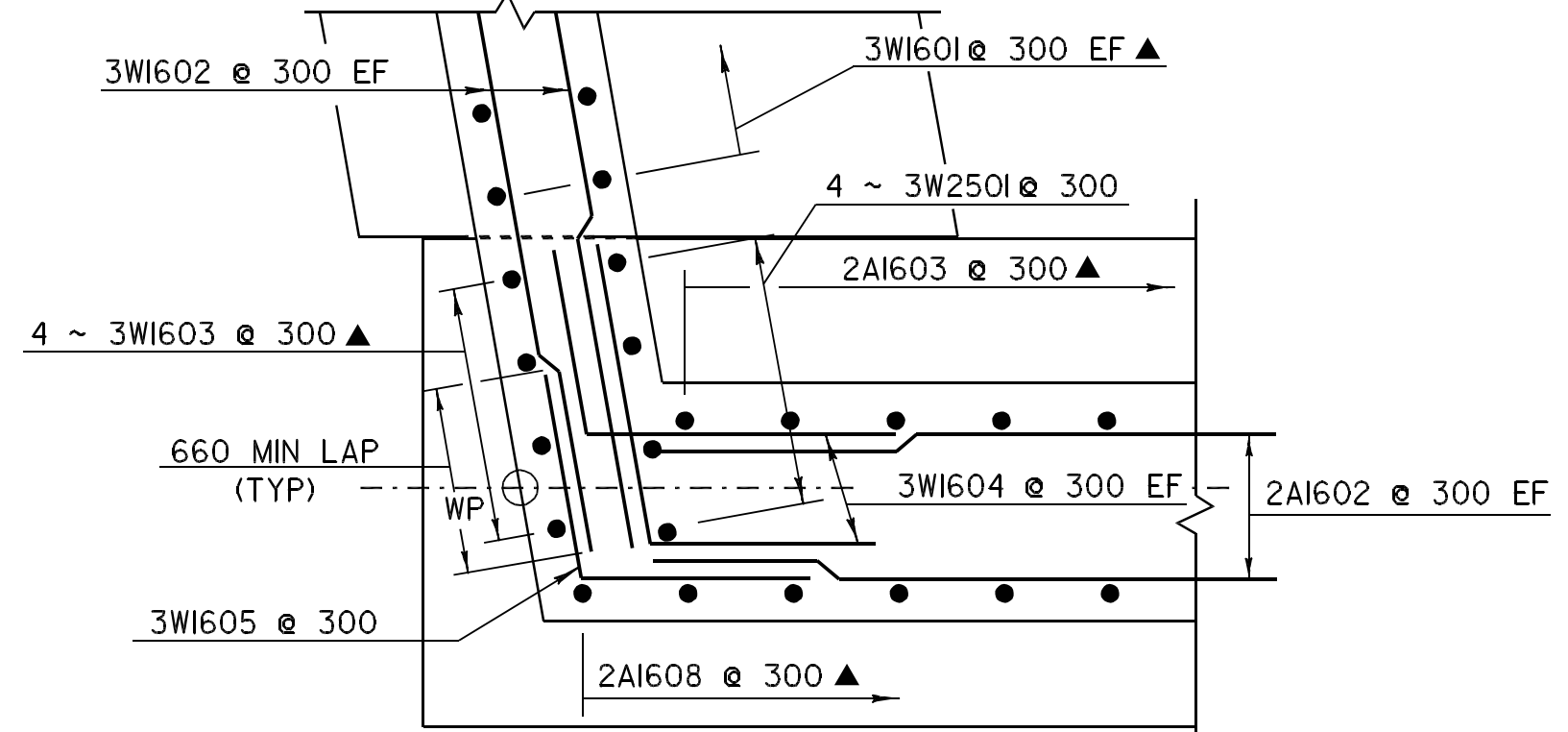
**ABUTMENT NO. 2 FOOTING**  
SCALE 1:25



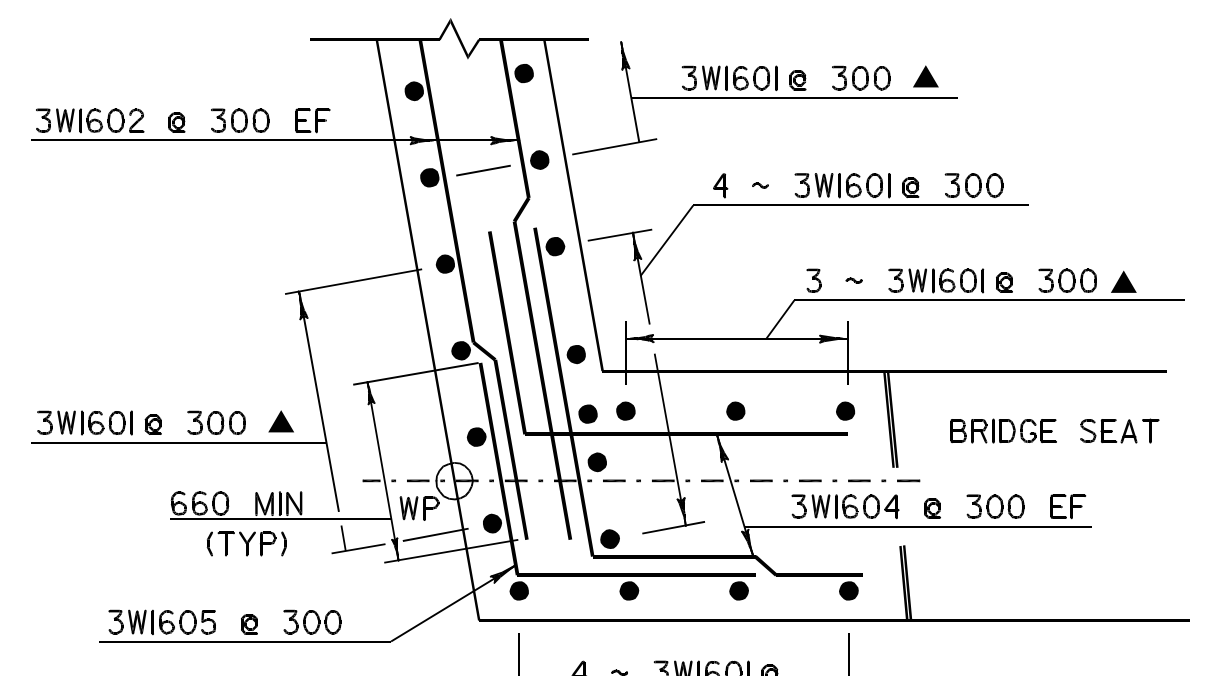
**WINGWALL NO. 4 FOOTING**  
SCALE 1:25



**WINGWALL NO. 3  
SECTION B-B**  
SCALE 1:25



**WINGWALL NO. 3 CORNER DETAIL  
BELOW BRIDGE SEAT**  
SCALE 1:20



**WINGWALL NO. 3 CORNER DETAIL  
ABOVE BRIDGE SEAT**  
SCALE 1:20

**NOTES:**

- NF = NEAR FACE
- FF = FAR FACE
- EF = EACH FACE
- ▲ = CUT TO FIT IN FIELD
- 80 CLEAR UNLESS OTHERWISE SPECIFIED ON THE PLANS
- \* DRILL & GROUT DOWELS AS SHOWN.
- 450 MINIMUM DEPTH OF GROUTING

SHEET NAME: <b>WINGWALL 3 &amp; 4 DETAILS</b>	
PROJECT NAME: <b>FAIR HAVEN-HAMPTON</b>	HIGHWAY NO.: TH 6
PROJECT NUMBER: <b>BRO 1443(32)</b>	BRIDGE NO.: 6
	OVER: <b>POULTNEY RIVER</b>
FILE NAME: /s1r1/93j021/sj021sub2.dgn	PLOT DATE: 29-MAR-2005
PROJECT MANAGER: G.S. ROGERS	DRAWN BY: D. BONNEAU
DESIGNED BY: C. MEUNIER	IPARM NAME: sj021cr.dlt
BRIDGE SHEET NUMBER:	SHEET 28 OF 53