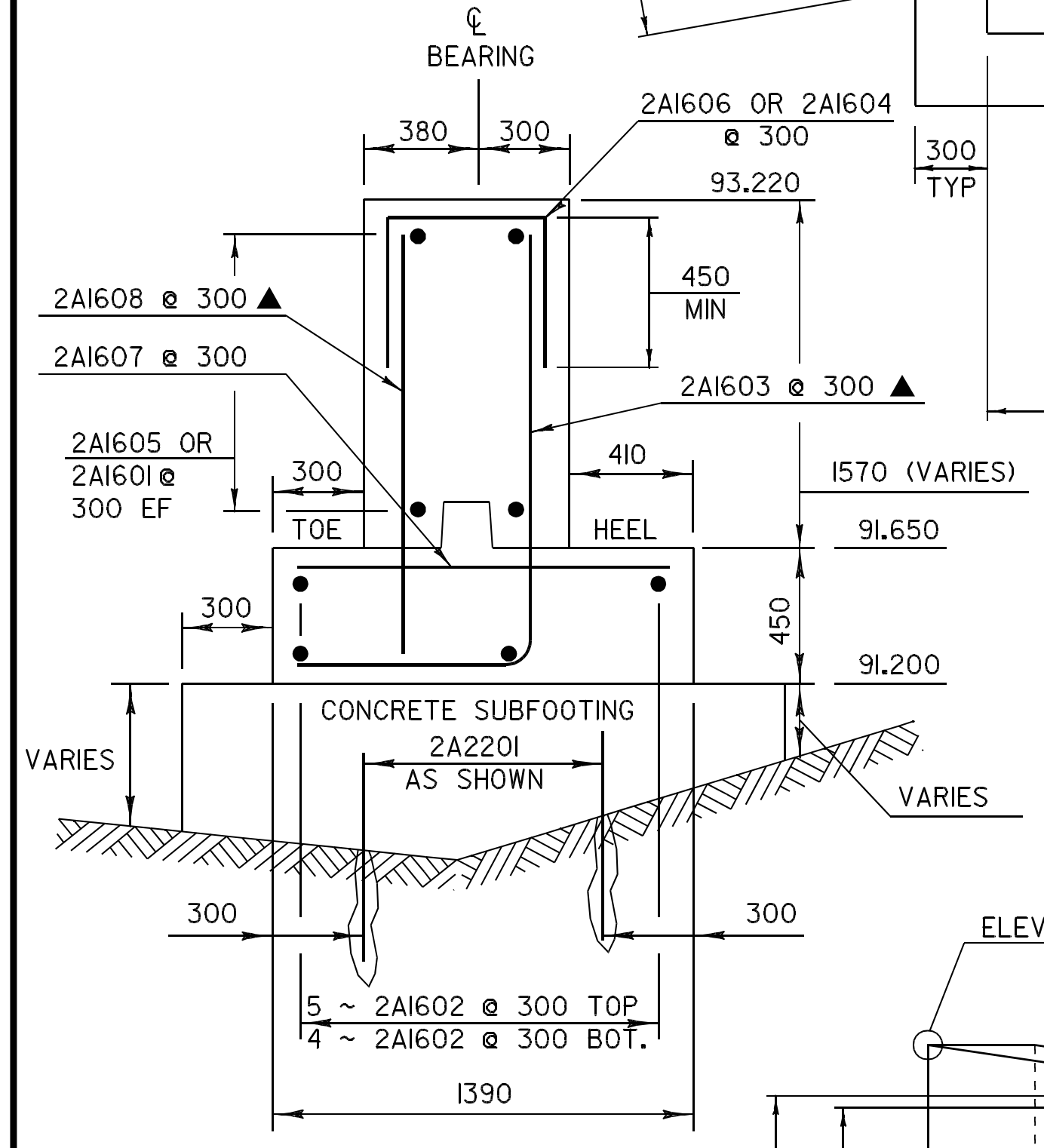


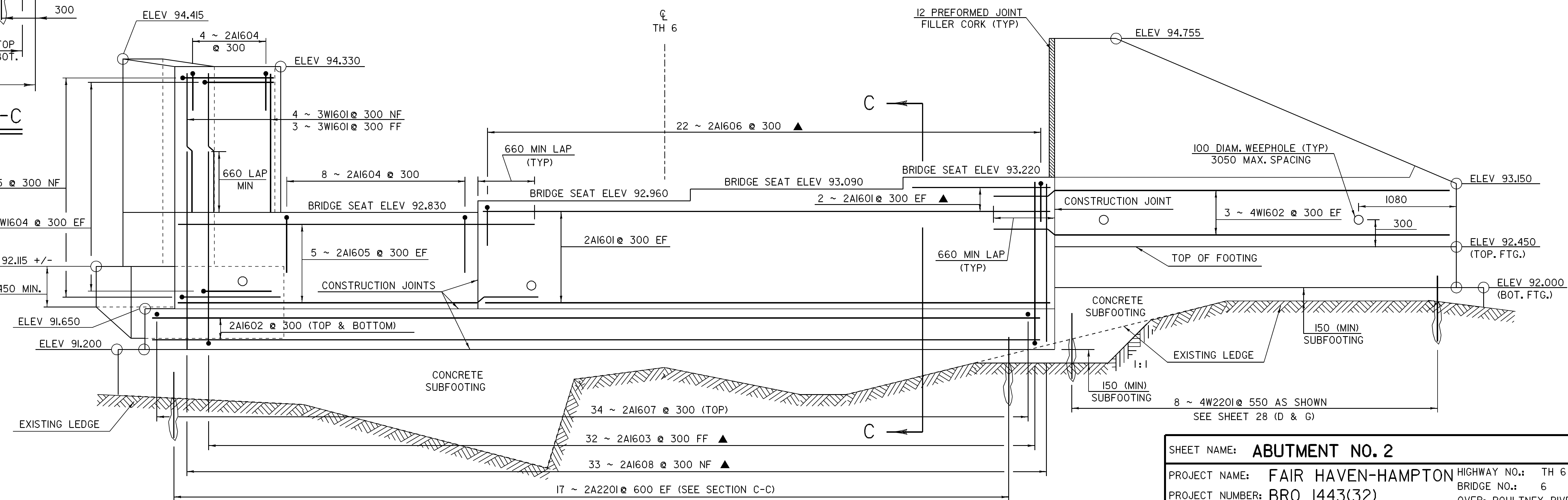
**ABUTMENT NO. 2 PLAN**

SCALE 1:25



**SECTION C-C**

SCALE 1:20



**ABUTMENT NO. 2 ELEVATION**

SCALE 1:25

**NOTE:**  
 NF = NEAR FACE  
 FF = FAR FACE  
 EF = EACH FACE  
 ▲ = CUT TO FIT IN FIELD  
 80 CLEAR UNLESS OTHERWISE SPECIFIED ON THE PLANS  
 \*\* DRILL & GROUT DOWELS AS SHOWN. 450 MINIMUM DEPTH OF GROUTING

SHEET NAME: <b>ABUTMENT NO. 2</b>	
PROJECT NAME: <b>FAIR HAVEN-HAMPTON</b>	HIGHWAY NO.: TH 6
PROJECT NUMBER: <b>BRO 1443(32)</b>	BRIDGE NO.: 6
	OVER: <b>POULTNEY RIVER</b>
FILE NAME: /sfr1/93j021/sj021sub2.dgn	PLOT DATE: 29-MAR-2005
PROJECT MANAGER: G.S. ROGERS	DRAWN BY: D.BONNEAU
DESIGNED BY: C.MEUNIER	IPARM NAME: sj021ab2.i
BRIDGE SHEET NUMBER:	SHEET 27 OF 53

REV: 5/14/03