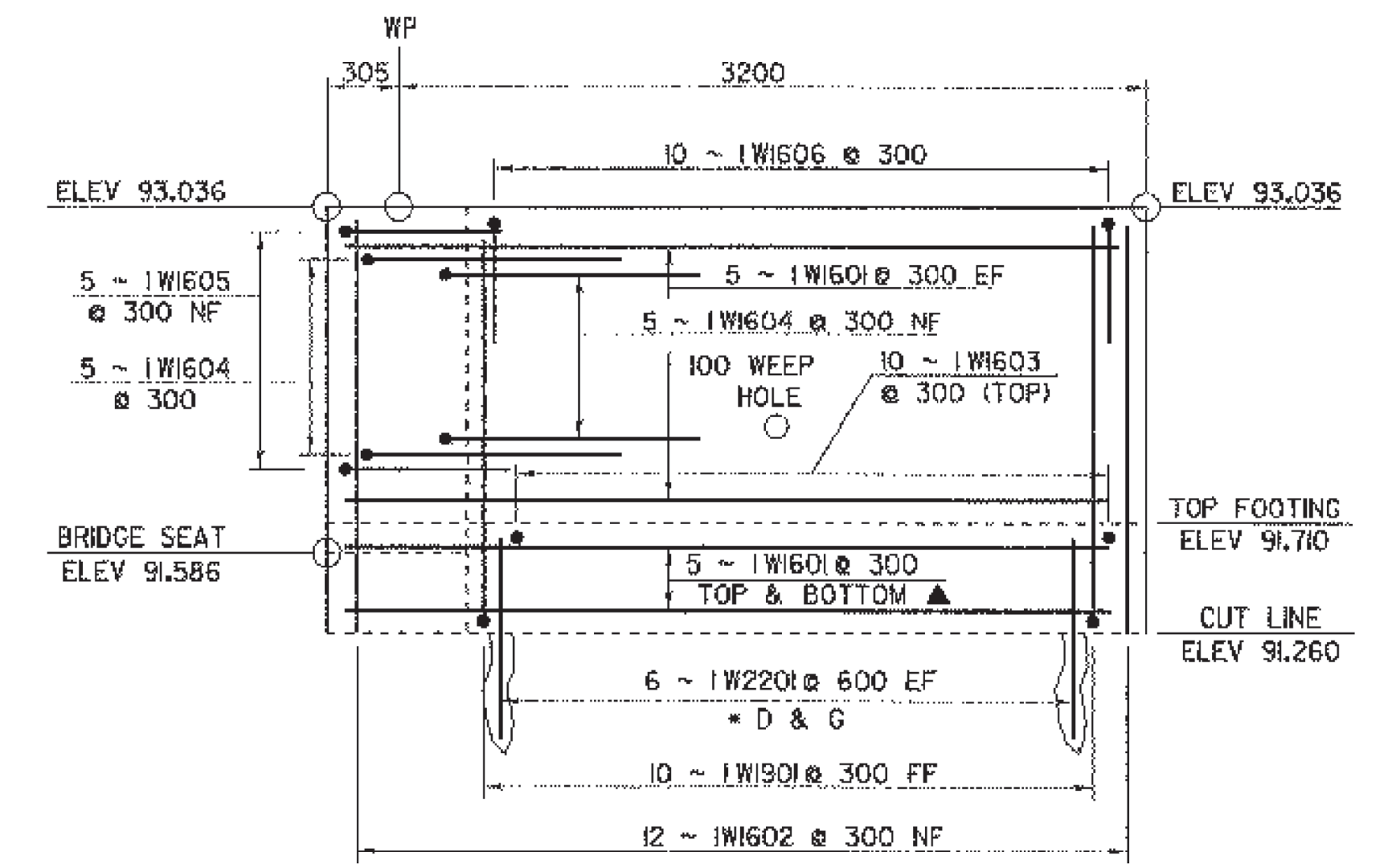
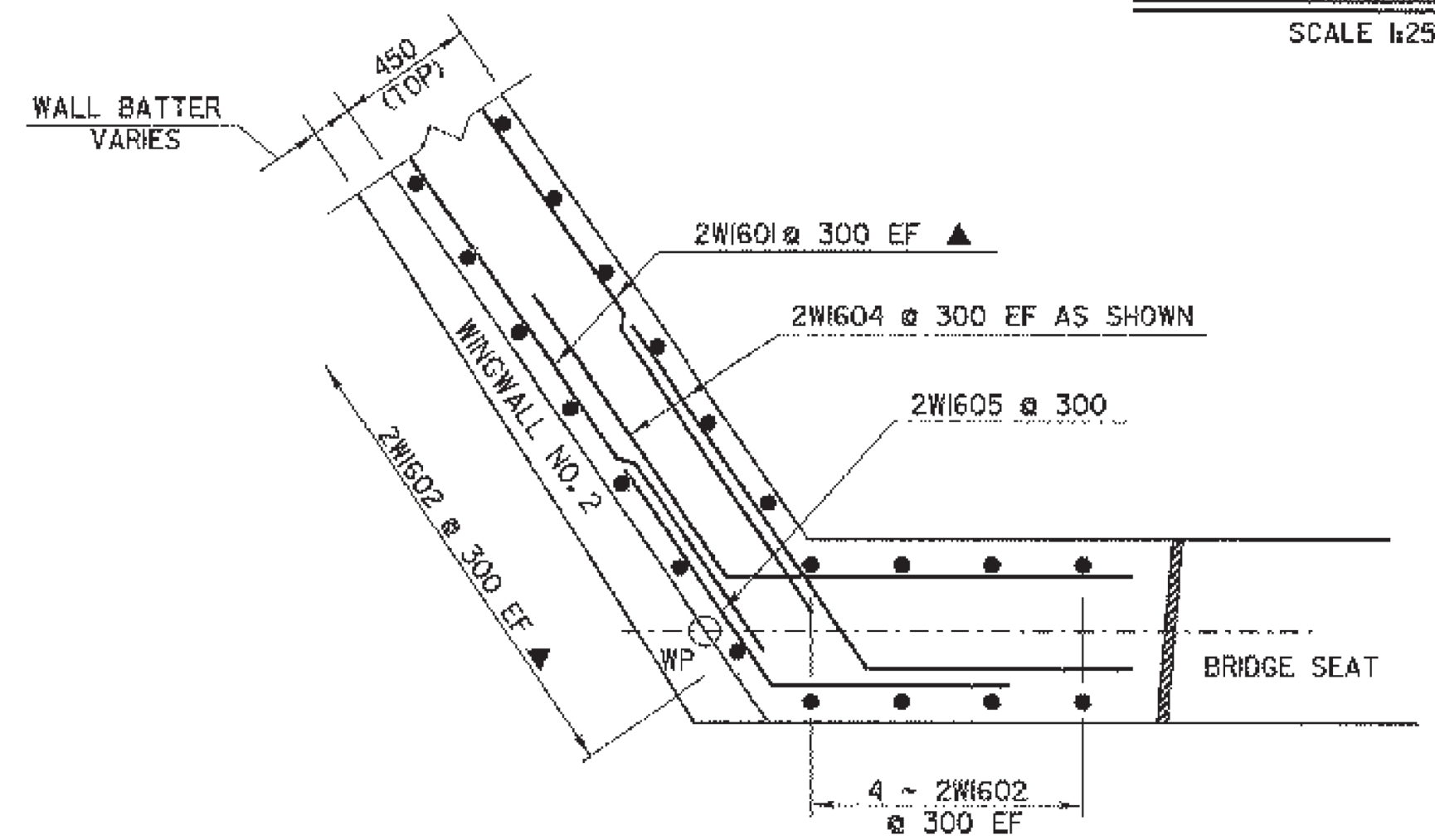


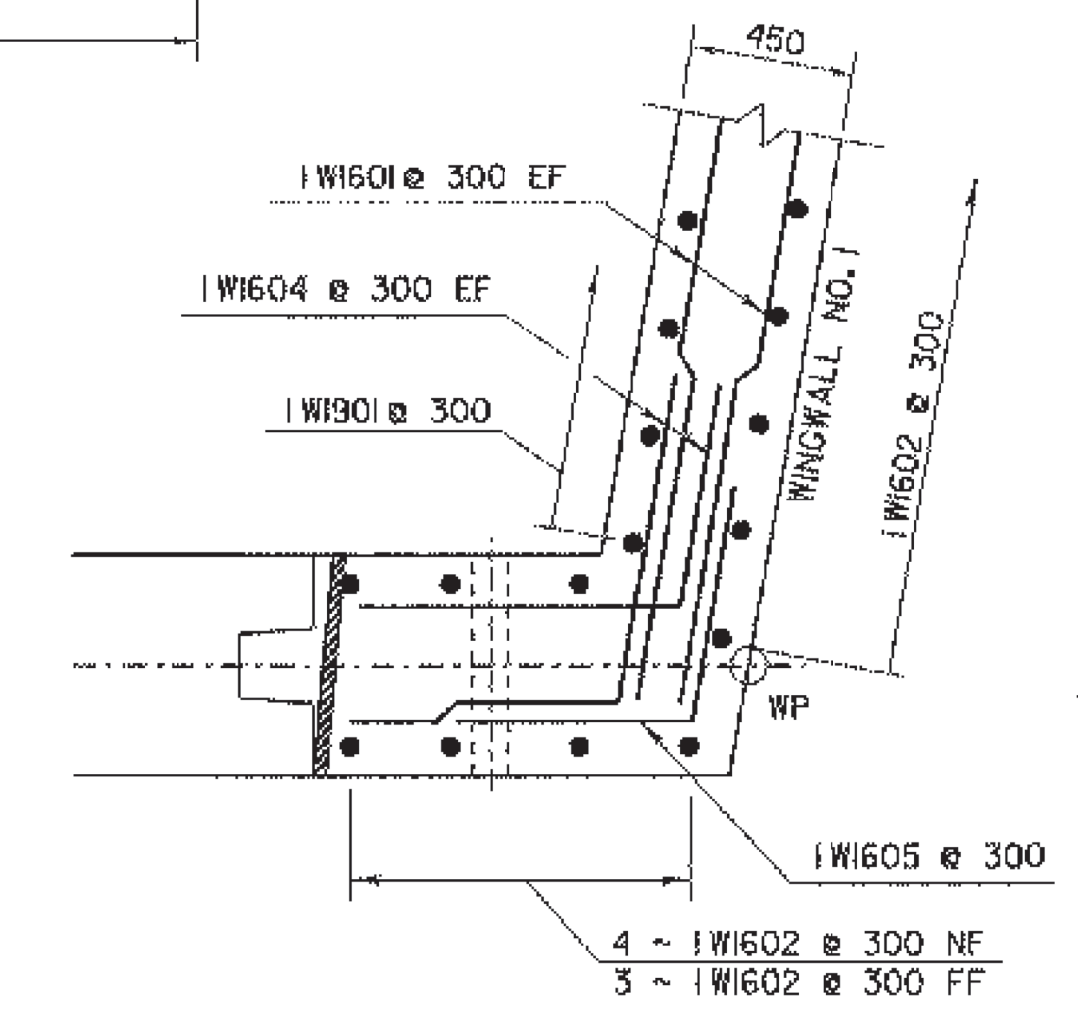
WINGWALL NO. 2
SCALE 1/25



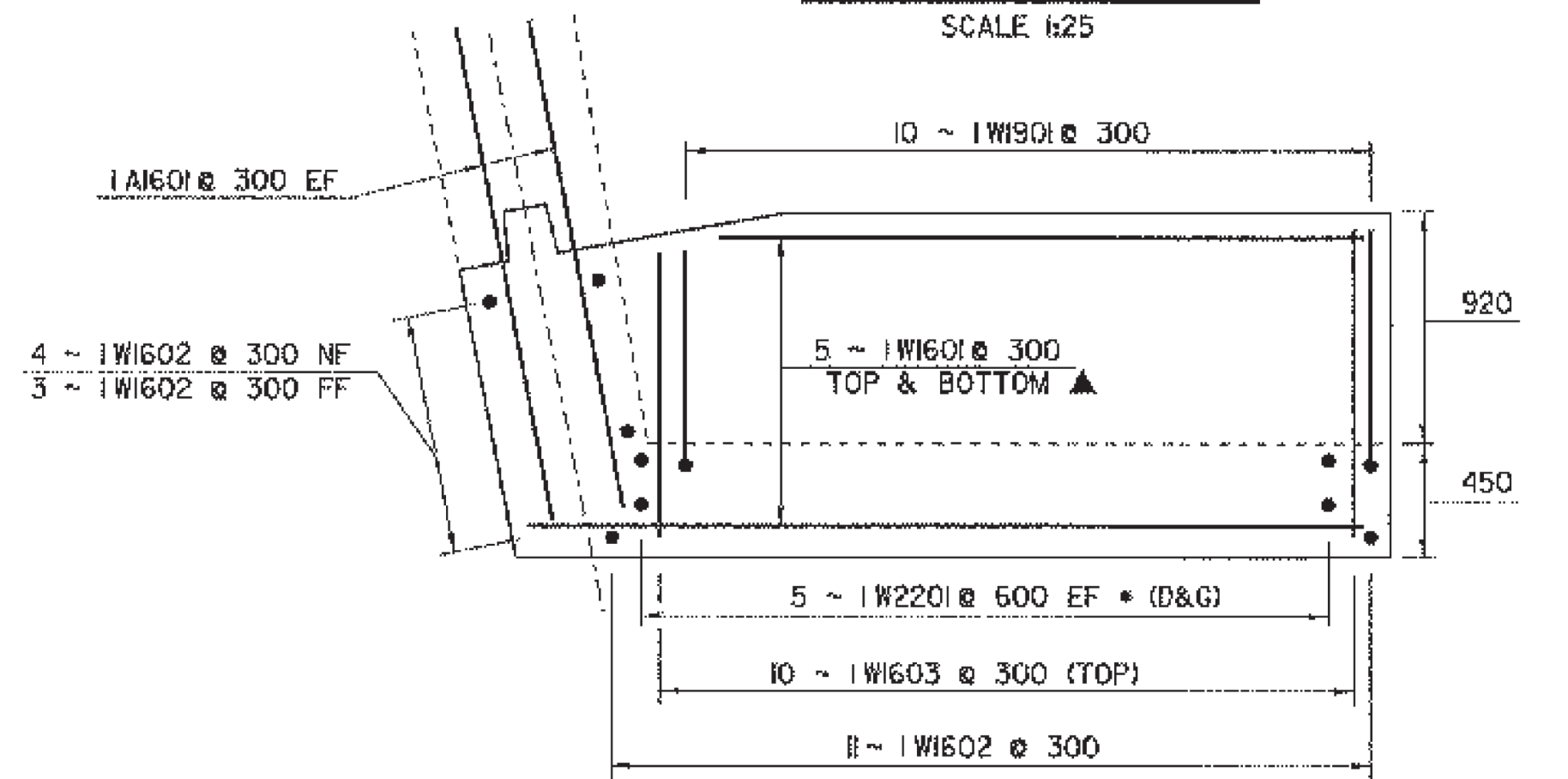
WINGWALL NO. 1
SCALE 1/25



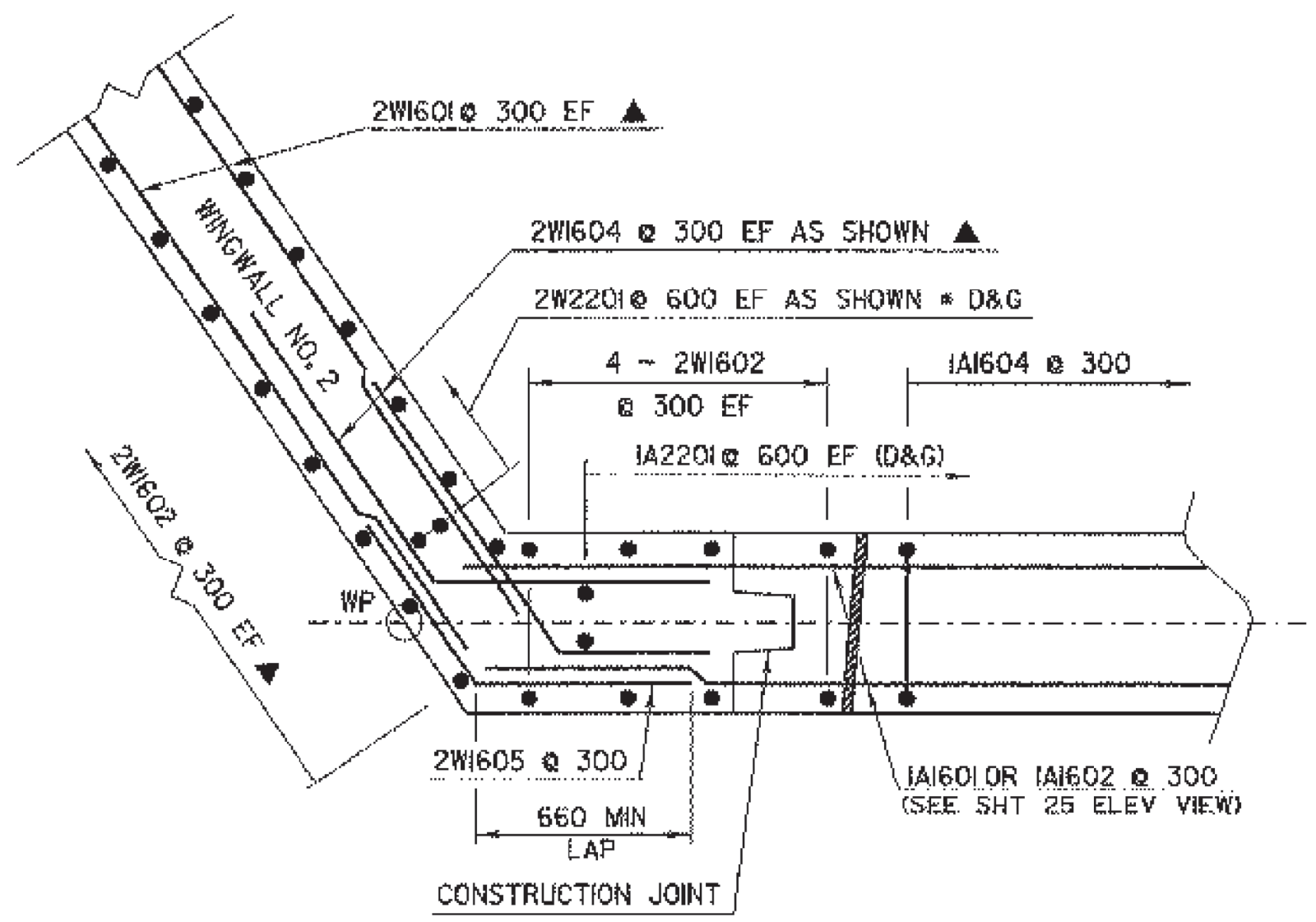
CORNER DETAIL WINGWALL NO. 2 (ABOVE BRIDGE SEAT)
SCALE 1/20



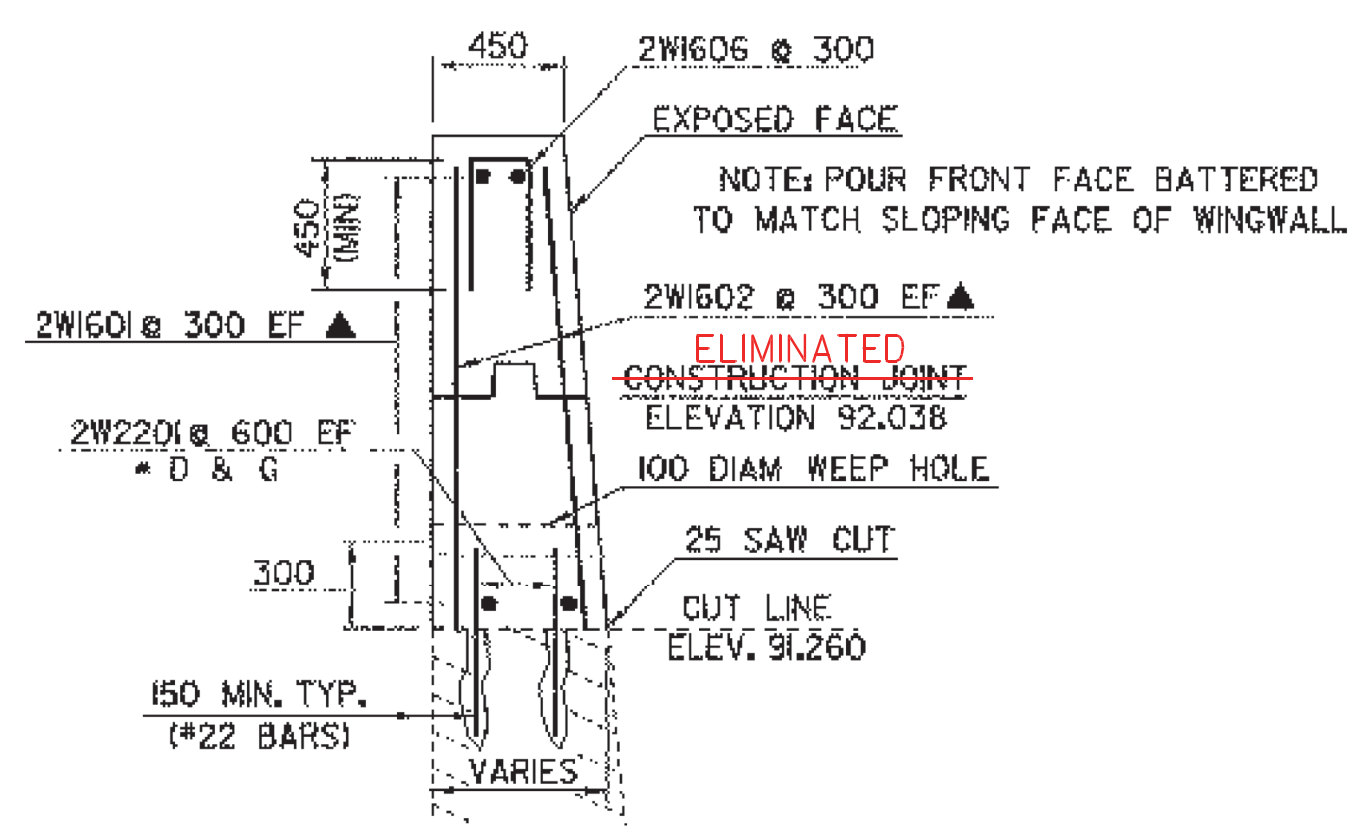
CORNER DETAIL WINGWALL NO. 1
SCALE 1/20



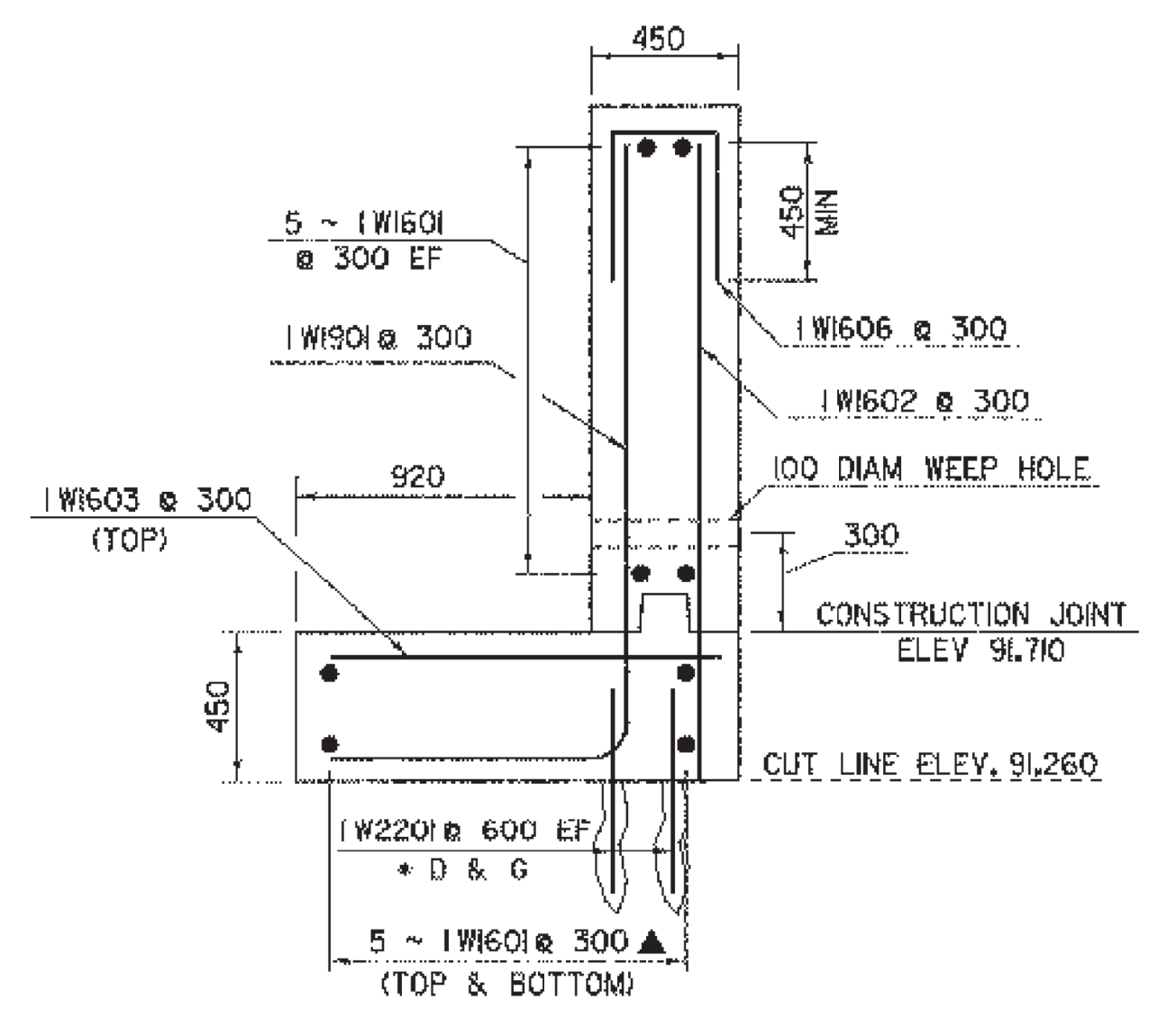
WINGWALL NO. 1 FOOTING
SCALE 1/25



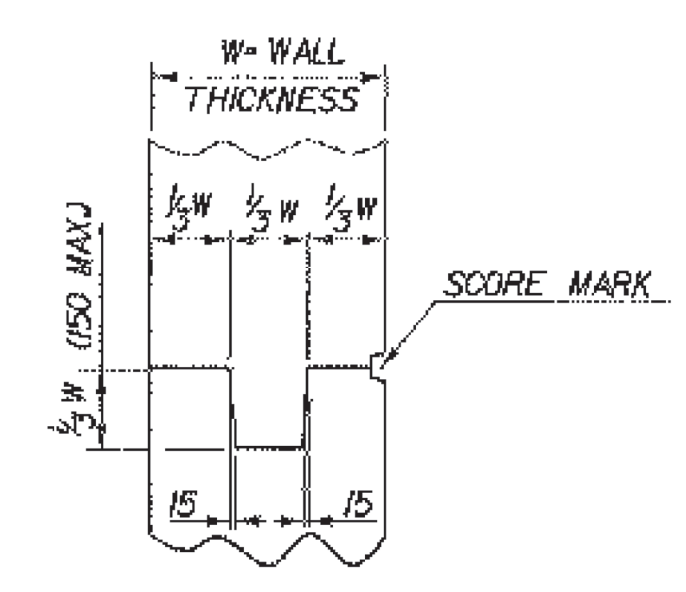
CORNER DETAIL WINGWALL NO. 2 (BELOW BRIDGE SEAT)
SCALE 1/20



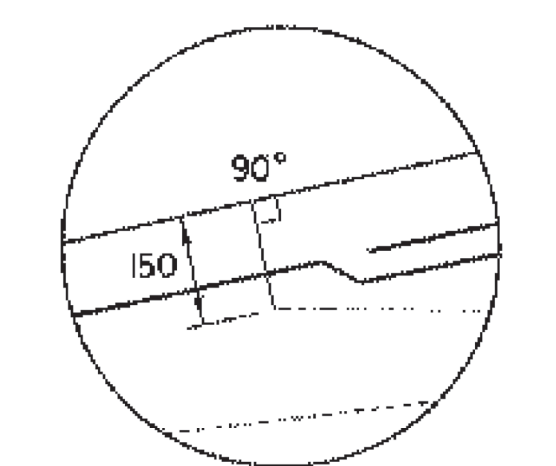
WINGWALL NO. 2 SECTION A-A
SCALE 1/25



WINGWALL NO. 1 TYPICAL SECTION
SCALE 1/20



TYPICAL CONCRETE CONSTRUCTION JOINT
(NTS)



DETAIL "A"
(NTS)

NOTES:
NF = NEAR FACE
FF = FAR FACE
EF = EACH FACE
▲ = CUT TO FIT IN FIELD
60 CLEAR UNLESS OTHERWISE SPECIFIED ON THE PLANS
* DRILL & GROUT DOWELS AS SHOWN, 450 MINIMUM DEPTH OF GROUTING

SCORE MARK DETAIL
(NTS)

SHEET NAME: WINGWALLS 1 & 2 DETAILS	
PROJECT NAME: FAIR HAVEN-HAMPTON	HIGHWAY NO. TH 6
PROJECT NUMBER: BRO 1443(32)	BRIDGE NO. 6
	OVER: POULTNEY RIVER
FILE NAME: /e1/193J021/sj021sub2.dgn	PLOT DATE: 23-MAR-2005
PROJECT MANAGER: G.S. ROGERS	DRAWN BY: D. BONNEAU
DESIGNED BY: C. MEUNIER	IPARM NAME: sj021and.f
BRIDGE SHEET NUMBER:	SHEET 26 OF 53