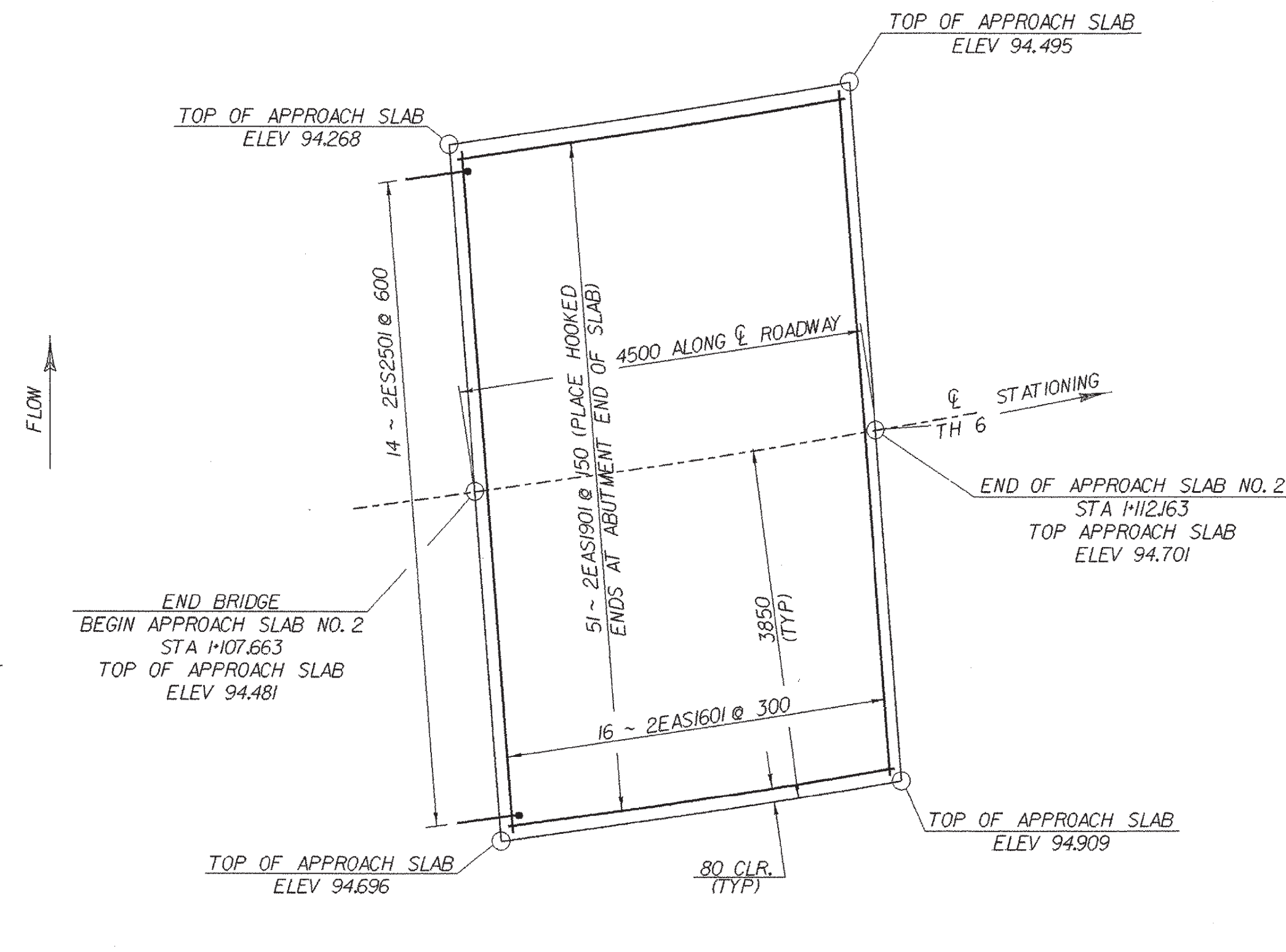
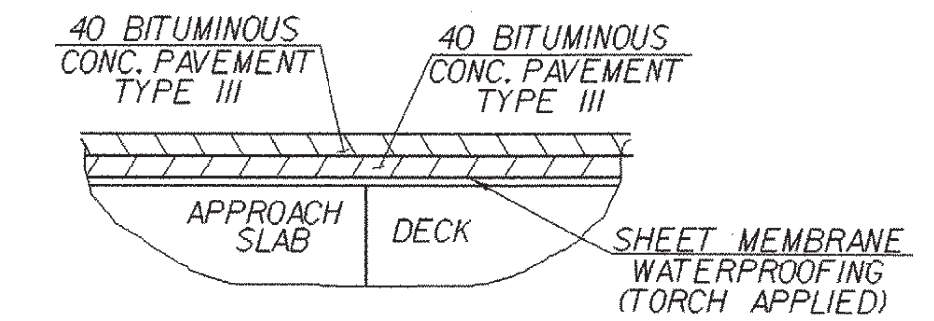


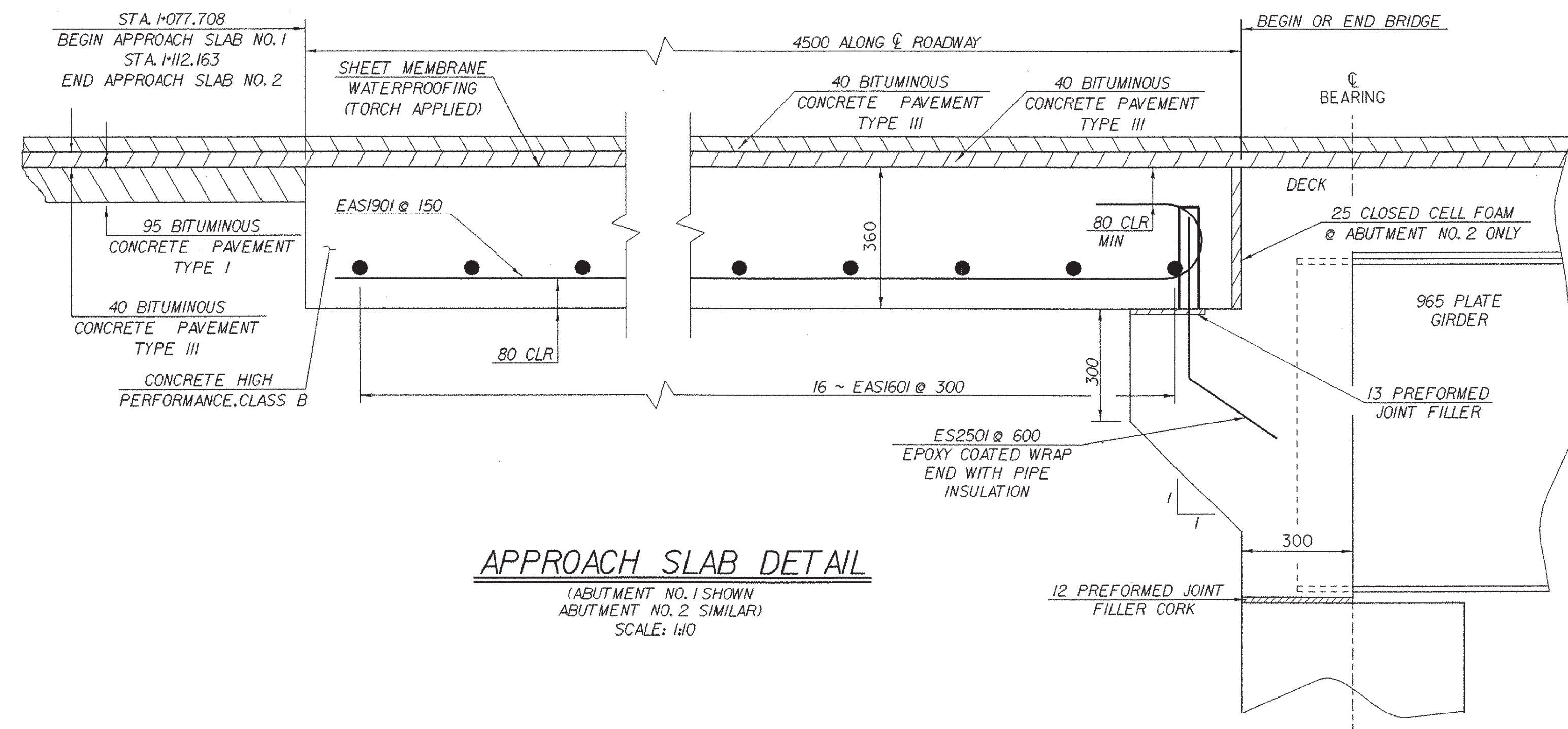
APPROACH SLAB (BEGIN BRIDGE) PLAN
SCALE: 1:50



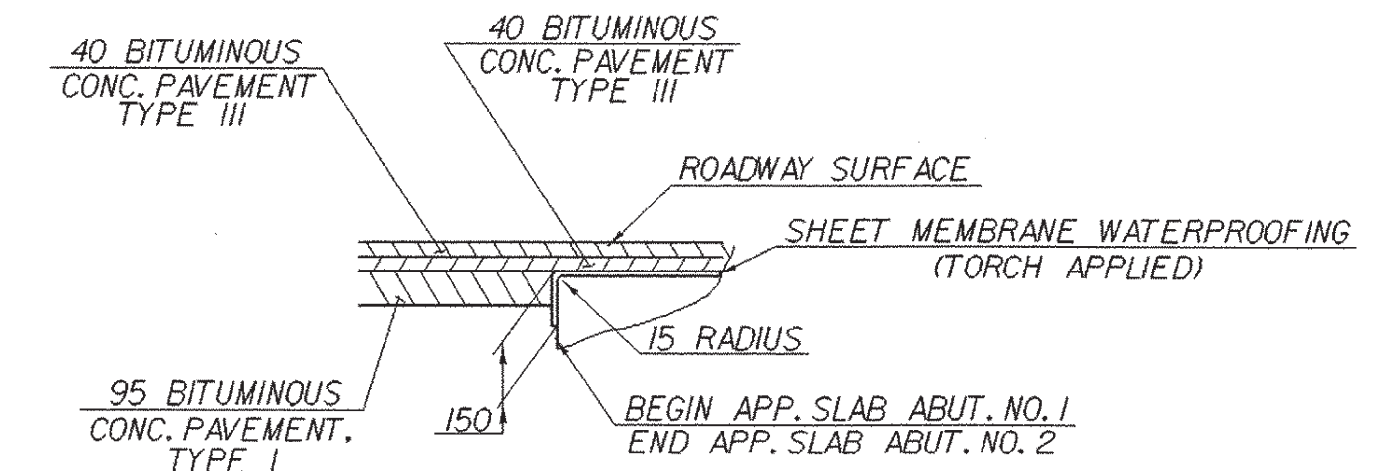
APPROACH SLAB (END BRIDGE) PLAN
SCALE: 1:50



DETAIL FOR SHEET MEMBRANE AT ABUTMENT NO. 1
N.T.S.



APPROACH SLAB DETAIL
(ABUTMENT NO. 1 SHOWN ABUTMENT NO. 2 SIMILAR)
SCALE: 1:10



DETAIL FOR SHEET MEMBRANE AT APPROACH SLAB ENDS
N.T.S.

SHEET NAME: APPROACH SLAB DETAILS	
PROJECT NAME: FAIR HAVEN-HAMPTON	HIGHWAY NO.: TH 6
PROJECT NUMBER: BRO 1443(32)	BRIDGE NO.: 6
	OVER: POULTNEY RIVER
FILE NAME: /str1/93j021/sj021sup2.dgn	PLOT DATE: 28-JAN-2003
PROJECT MANAGER: G.S. ROGERS	DRAWN BY: J. GILMORE
DESIGNED BY: C. MEUNIER	IPARM NAME: sj021asd.1
BRIDGE SHEET NUMBER:	SHEET 24 OF 53