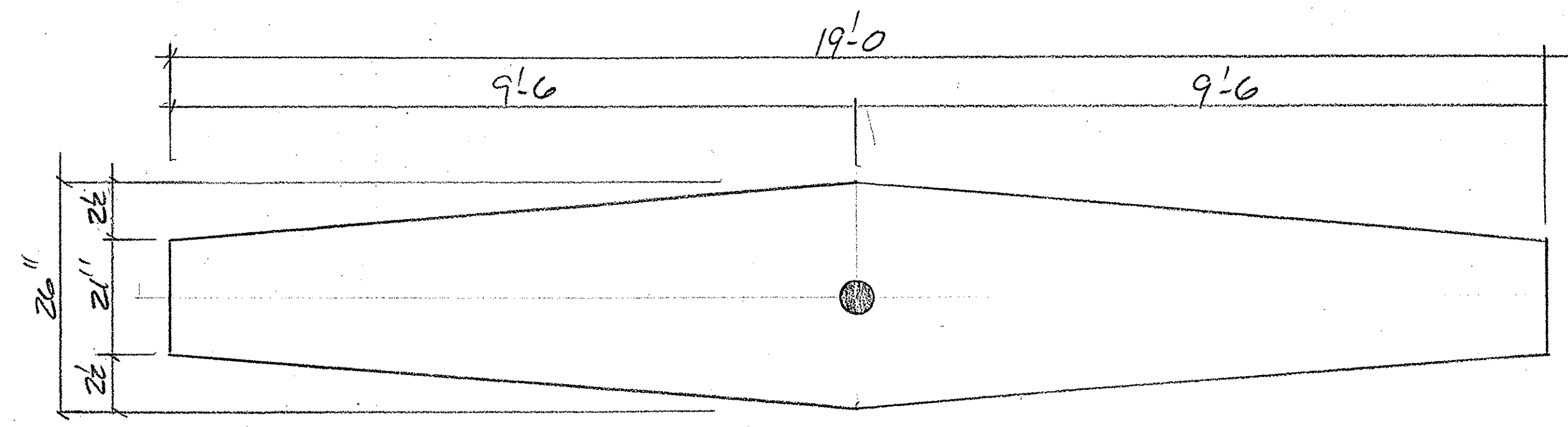


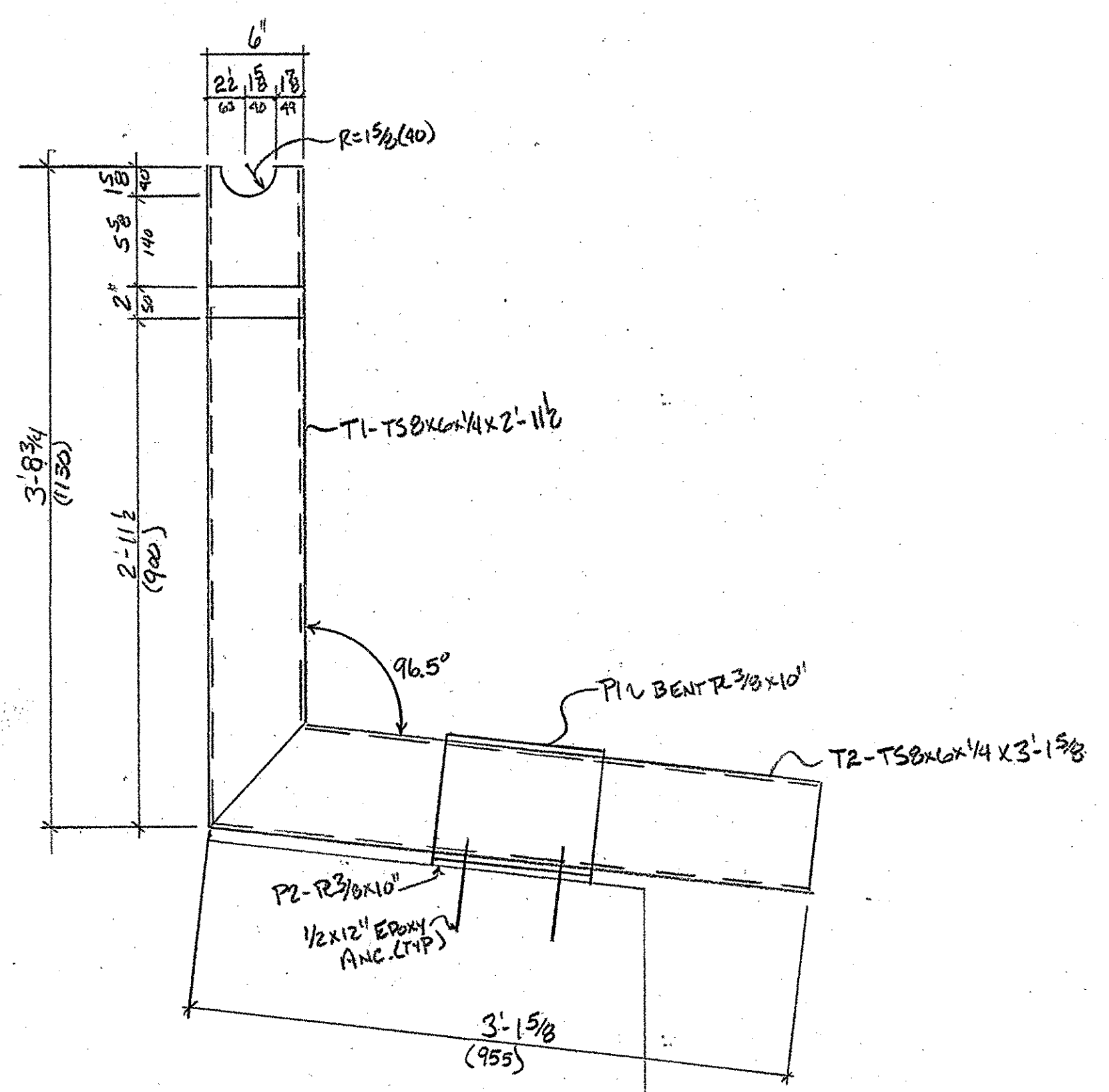
BILL OF MATERIAL

QTY.	MARK	SHAPE	LENGTH	REMARKS
1	D1	DOWN SPOUT		
1	T1	TSB 6x6 x 1/4	2	172 AS500 GR3
1	T2	TSB 6x6 x 1/4	3	178 AS500 GR3
2	P3	R 1/4 x 9 1/4	1	0 M270-60250
2	P4	R 1/4 x 5 1/2	0	74
2	P5	R 1/4 x 2 3/8	0	52
1	P1	BENT R 3/8 x 10	2	144
1	P2	R 3/8 x 10	1	231 M270-60250
4	-	1/2" PH RODS	1	0 W/N HW A507 GALV
1		TROUGH		

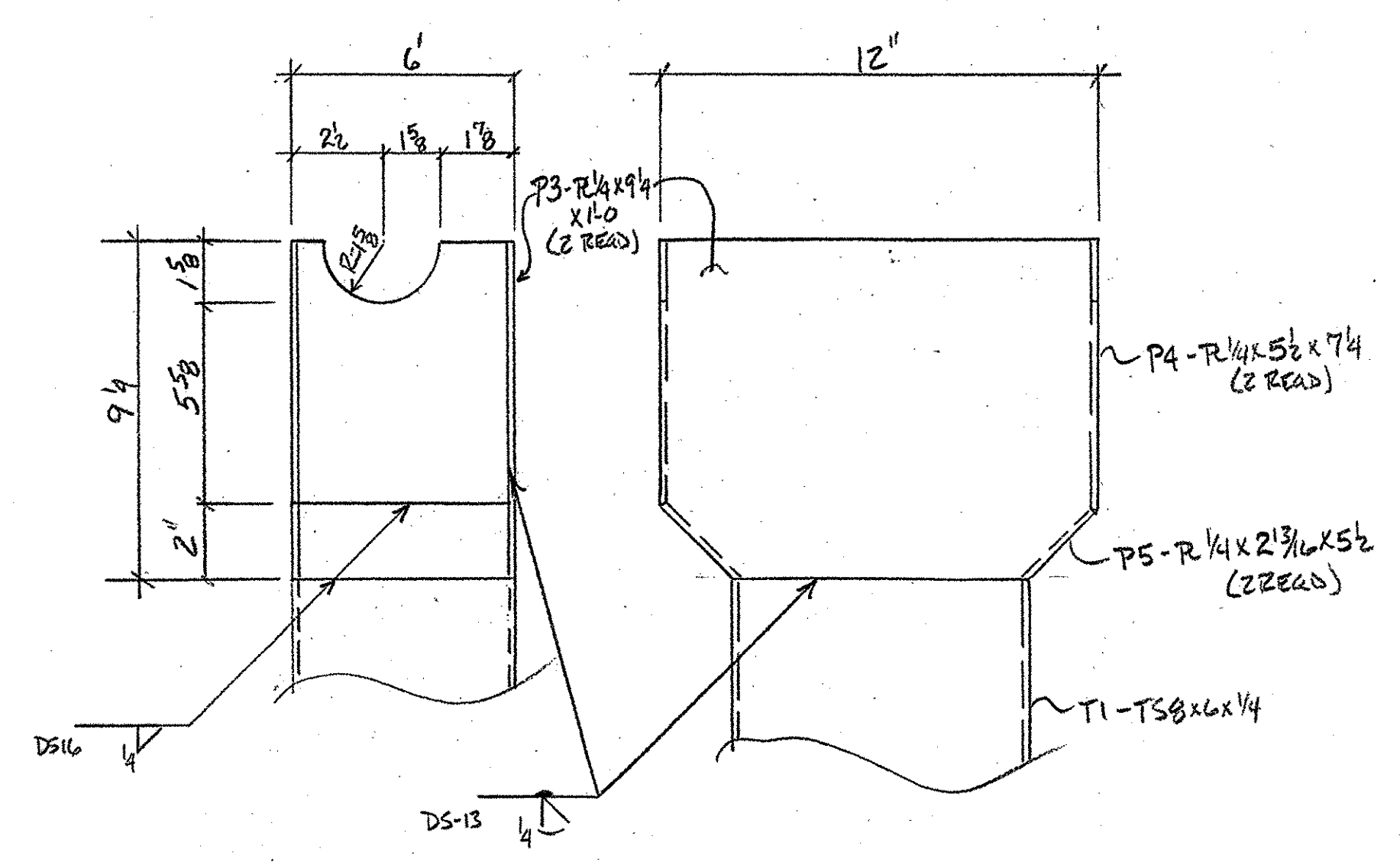


ENG. NOTE - PLEASE VERIFY DEEP FROM TOP OF ANGLE L8x4 TO BOTTOM OF TROUGH @ CENTER + ENDS

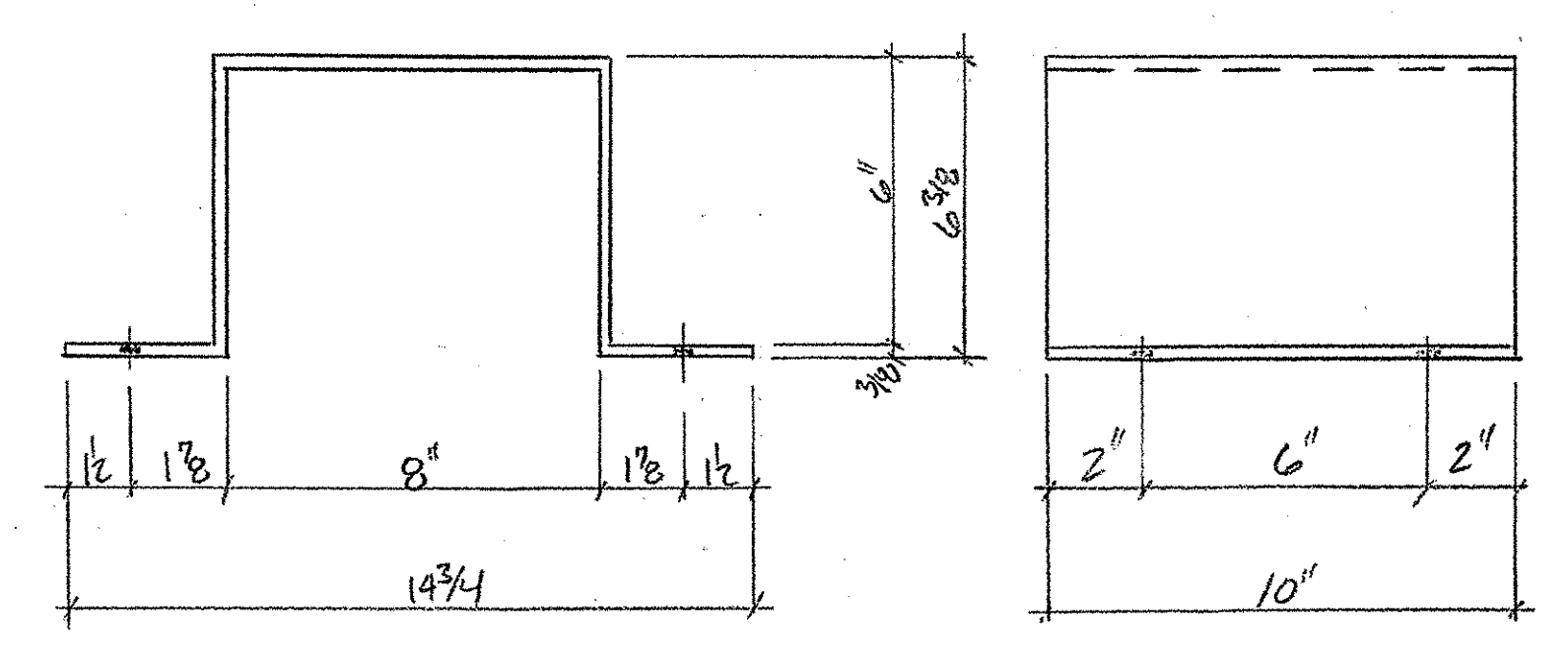
(ONE) ~ T1 - TROUGH
SPRY FABRIC



(ONE) ~ D1 - DOWN SPOUT

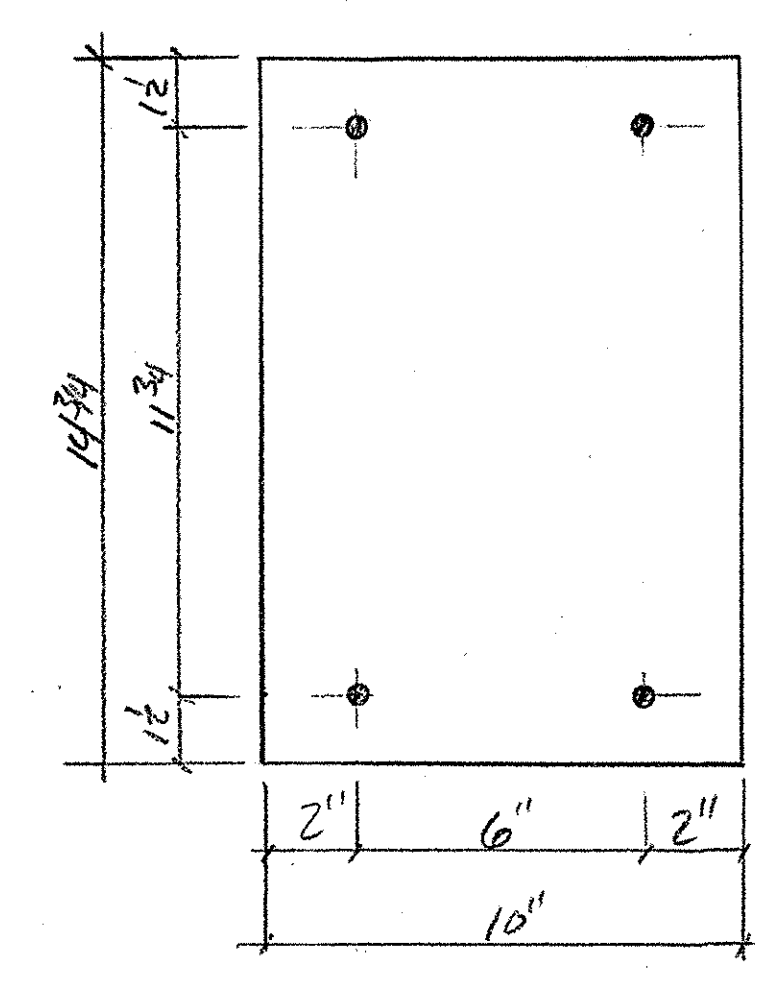


HEAD DETAIL



(ONE) ~ P1 - 3/8 BENT R

5/8" HOLES



(ONE) ~ P2 - R 3/8 x 10 x 14 3/4

RECEIVED
CKD BY MFM OK'D BY As Noted
MAR 28 2007
RESUBMIT APPROVED As Noted
BY DATE 3/30/07

DRAWING COVERS: DOWN SPOUT / TROUGH

DATE SUB.	PROJECT	CLAVENDISH, BEO-1442(23)
	LOCATION	CLAVENDISH, VT
	ARCHITECT	
DATE APP.	ENGINEER	
DATE DIST.	CUSTOMER	F. W. WHITCOMB

MERRIMACK SHEET METAL
119 HALL ST.
CONCORD, NH 03301
Tel: (603) 224-7766
Fax: (603) 224-7925

DRAWN BY JD
CKD. BY PC
JOB NO. 1422
DWG. NO. F2

1 3/05 Per Bill.
REV NO. DATE DESCRIPTION
HOLES
PAINT GALV - A123

074-DS