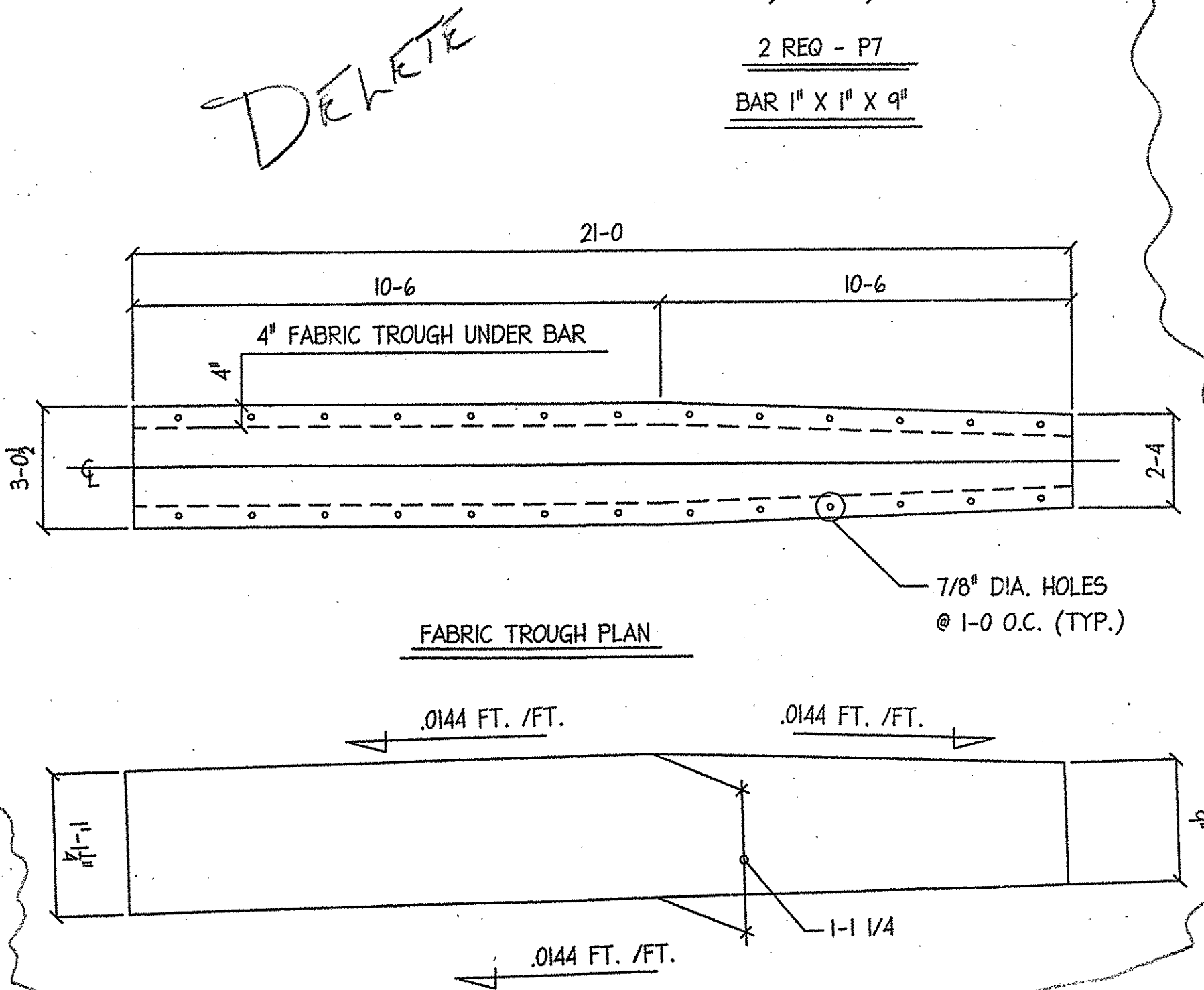
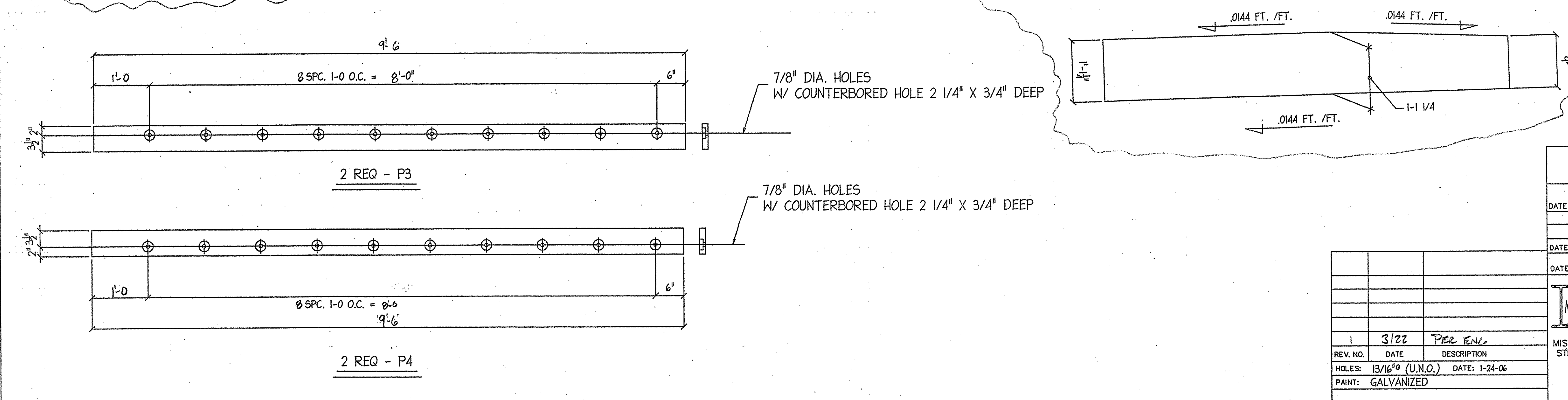
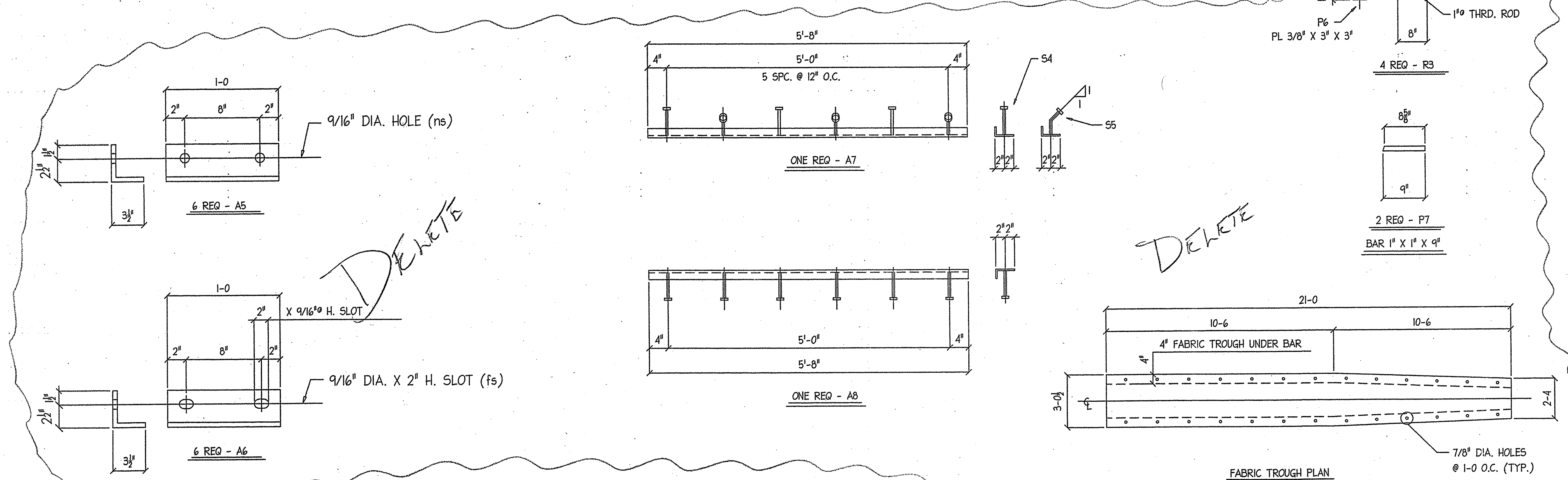


BILL OF MATERIAL

QTY	MARK	SHAPE	LENGTH	REMARKS
1	A1	L 8 X 4 X 1/2	9	6
1	A2	L 8 X 4 X 1/2	9	6
1	A3	L 8 X 4 X 1/2	9	6
1	A4	L 8 X 4 X 1/2	9	6
36	S3	3/4\"/>		



RECEIVED
 CK'D BY: *MEM*
 MAR 28 2007
 RESUBMIT APPROVED
 BY: *MEM* DATE: 3/30/07
 PROJECT NO. = *CANVENDISH, VT. BR0 1442 (23)*

EXPANSION JOINT (EJ-1) @ ABUTMENT #1	
PROJECT	CANVENDISH VT. BRIDGE
LOCATION	CANVENDISH, VT.
ARCHITECT	
ENGINEER	
CUSTOMER	F.W. WHITCOMB

MERRIMACK SHEET METAL
 119 HALL ST.
 CONCORD, N.H., 03301
 TEL. (603) 224-7766
 FAX. (603) 224-7925

DR BY: KJM
 REV BY:
 JOB NO. 1422
 DWG NO. FI

REV. NO.	DATE	DESCRIPTION
1	3/22	PER ENCL

Holes: 13/16\"/>