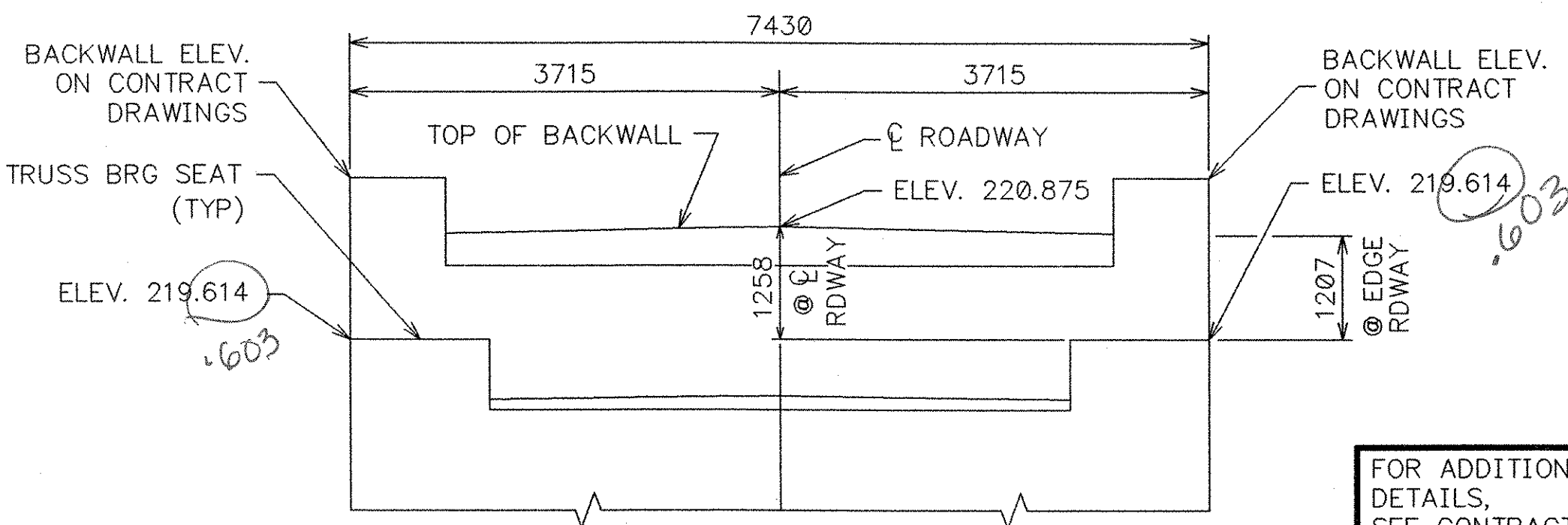
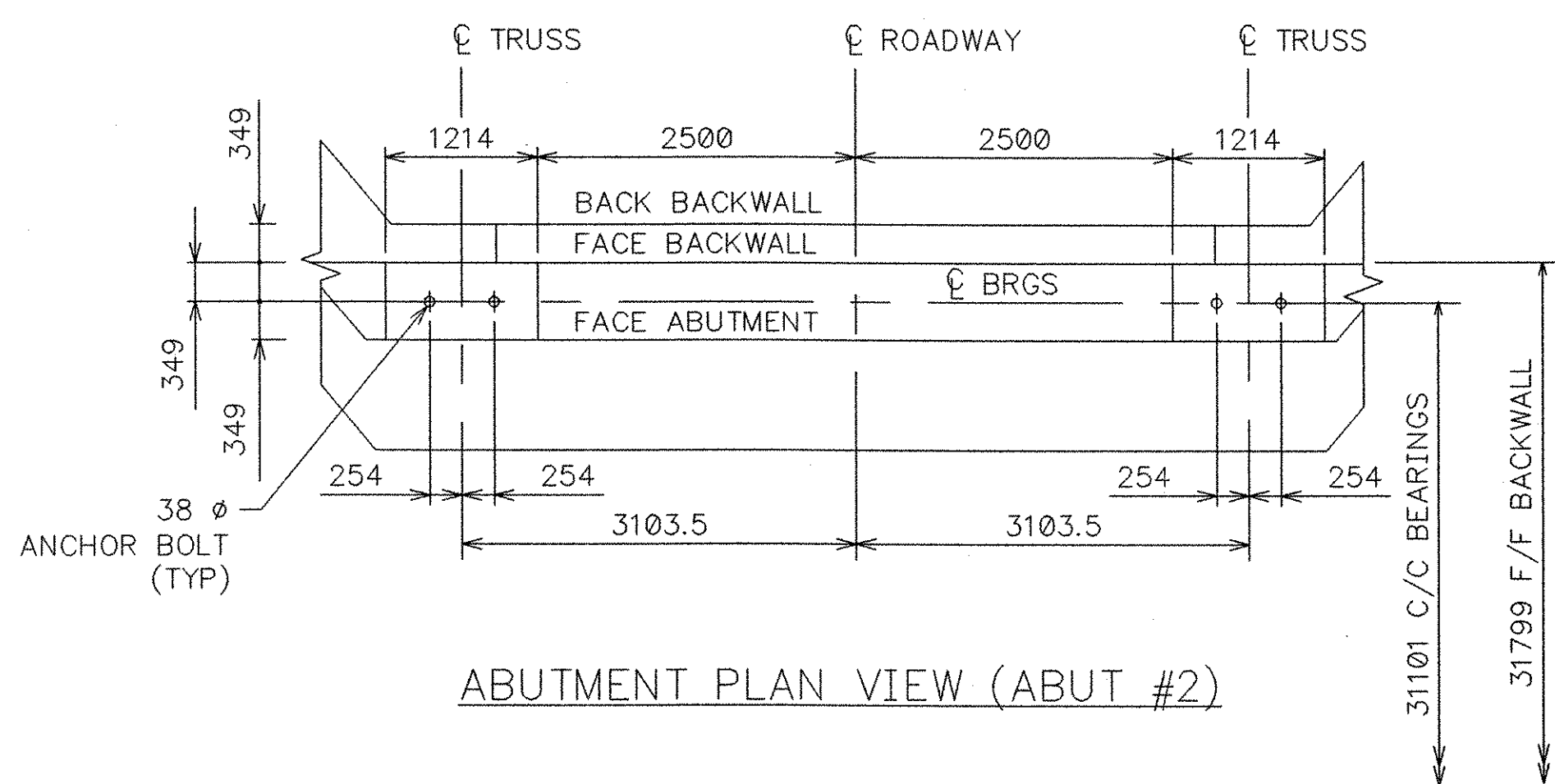


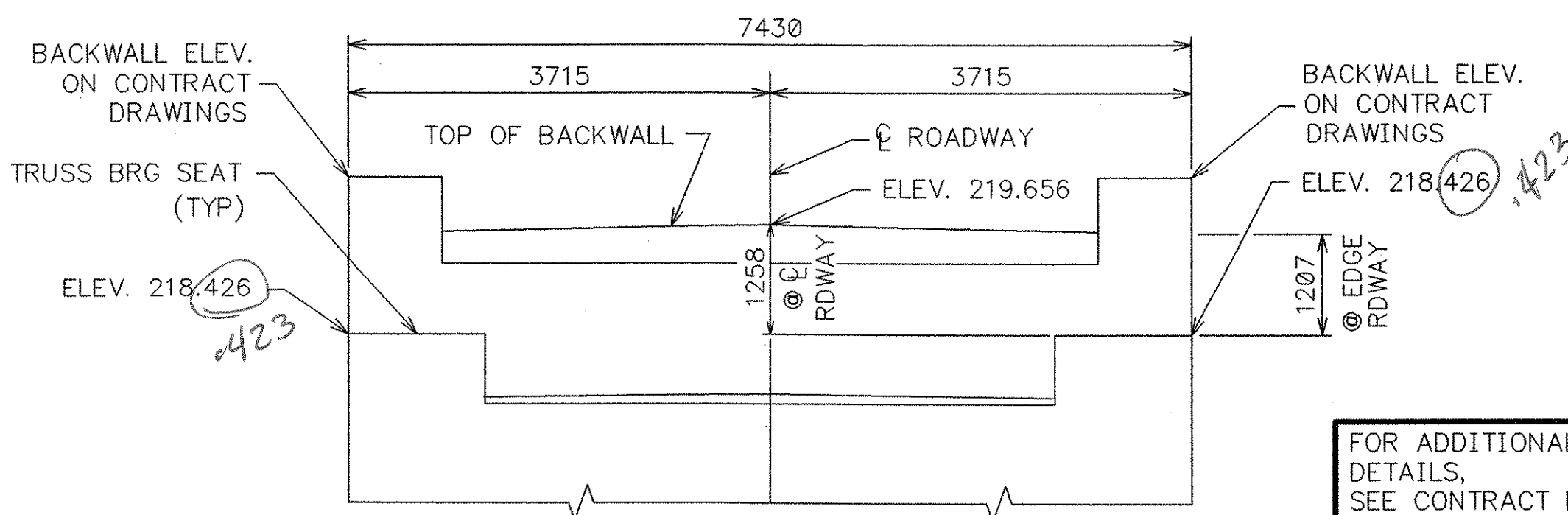
ABUTMENT PLAN VIEW (ABUT #1)



ABUTMENT ELEVATION VIEW (ABUT #1)



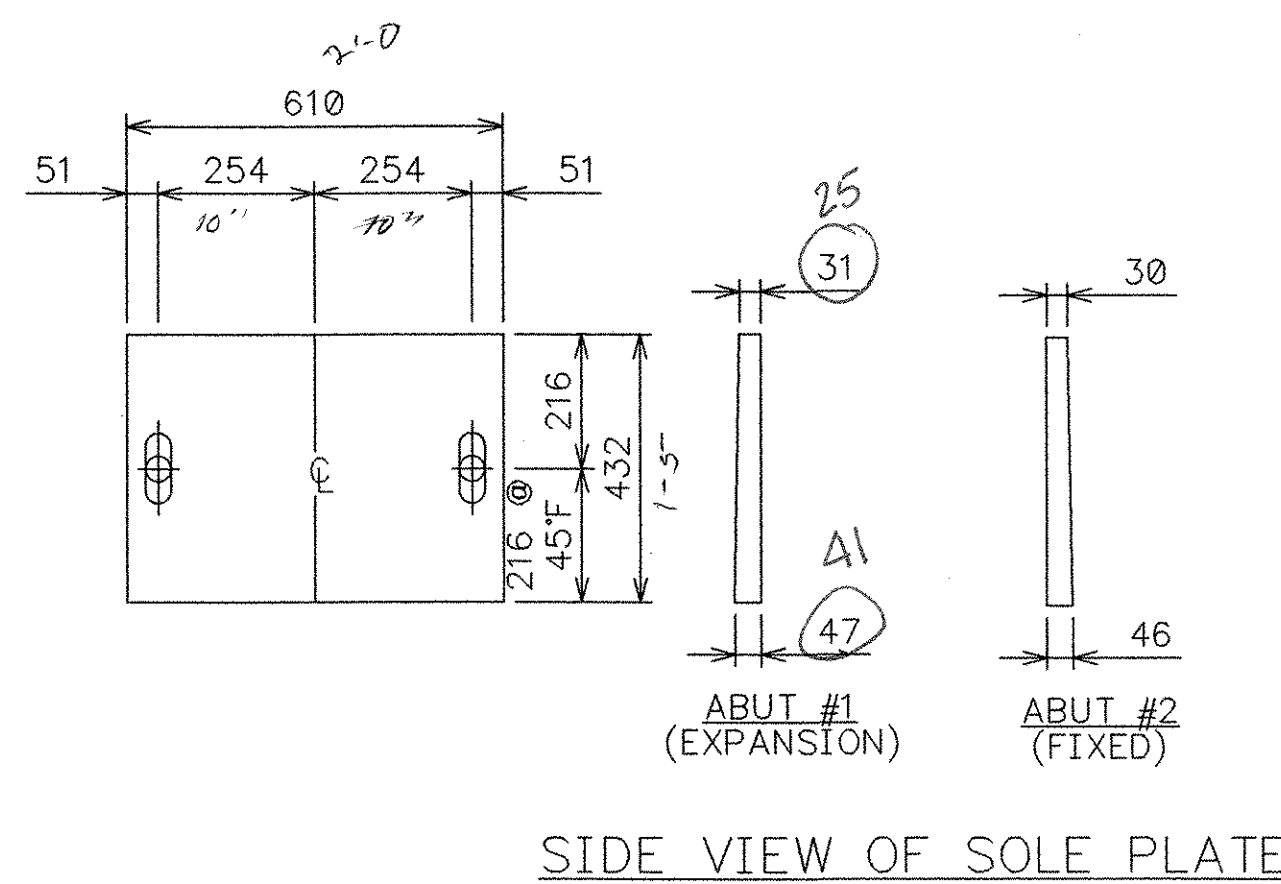
ABUTMENT PLAN VIEW (ABUT #2)



ABUTMENT ELEVATION VIEW (ABUT #2)

FOR ADDITIONAL ABUTMENT DETAILS, SEE CONTRACT DRAWINGS

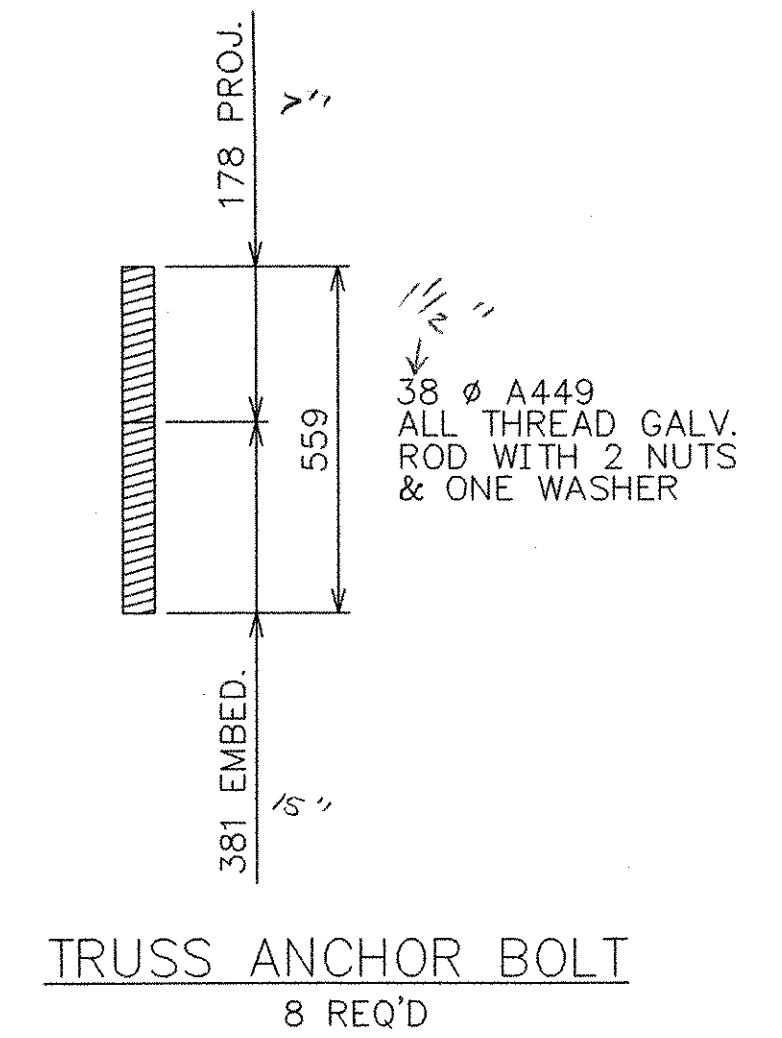
FOR ADDITIONAL ABUTMENT DETAILS, SEE CONTRACT DRAWINGS



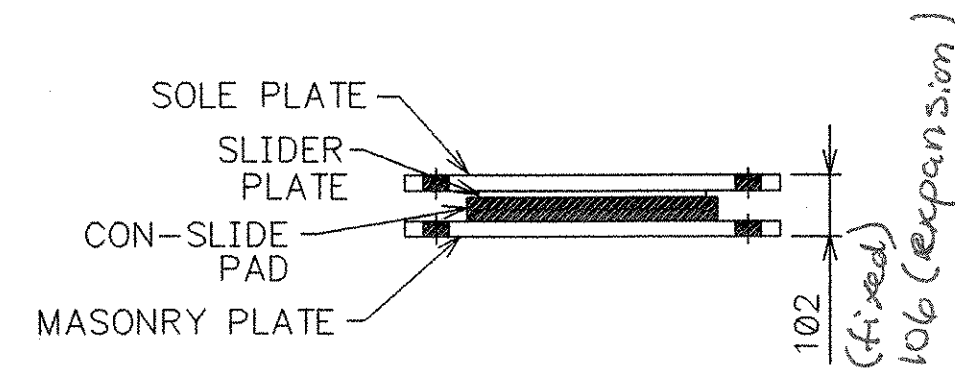
SIDE VIEW OF SOLE PLATE

TRUSS BEARING ANGLES

L152 X 152 X 19
 4 WITH 44 X 114 SLOTTED HOLES (ABUT. 1)
 4 WITH 44 Ø HOLES (ABUT. 2)
 1 3/4"



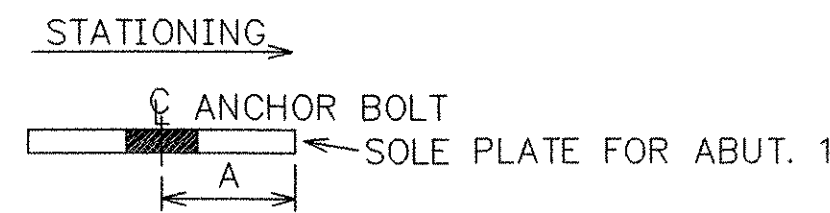
TRUSS ANCHOR BOLT
8 REQ'D



TRUSS BEARING PLATES

FIXED BEARINGS
 SOLE PLATE - 2 PCS - R (25) X 432 X 610 WITH 44 Ø HOLES 38 + 30 + 25 = 101
 CON-SLIDE PADS - 2 PCS - 38 X 381 X 368
 MASONRY PLATE - R (46) X 432 X 610 - BEVELED WITH 44 Ø HOLES
EXPANSION BEARINGS
 SOLE PLATE - 2 PCS - R (25) X 432 X 610 WITH 44 Ø X 114 SLOTTED HOLES 33 + 10 + 30 + 25 = 106
 SLIDING PLATE - 2 PCS - R 10 X 419 X 406 WITH 20 GA STAINLESS STEEL PLATE BONDED TO THE BOTTOM OF THE PLATE
 CON-SLIDE PADS - 2 PCS - 38 X 381 X 368 WITH PTFE SURFACING, BONDED TO ONE SURFACE
 MASONRY PLATE - 2 PCS - R (67) X 432 X 610 (BEVELED) WITH 44 Ø HOLES

AT	A
15'F	222
30'F	219
45'F	216
60'F	213
75'F	210
90'F	207



NOTE: DRAWINGS RELATIVE DO NOT SCALE

RECEIVED
 DEC 15 2006
 APPROVED As Noted
 DATE 1-05-07

ALL DIMENSIONS ARE IN MILLIMETERS

NO.	DATE:	REVISIONS:	BY:	DESCRIPTION:
1	12/11/06	TRUSS BEARING REVISED	JEC	

31.10M TRUSS BRIDGE 4.50M ROADWAY
 BRIDGE NO. 45, TOWN OF CAVENDISH

WINDSOR COUNTY, VERMONT

DESIGN: AG	DRAWN: DMK	DATE: 09/08/06	DRAWING NO: Cavendish_Metric	SHEET 5 OF 5
CHECK/DATE: 10/05/06	FABRICATOR: OHIO BRIDGE CORP.		102X14_FlatTruss.dwg	

06855