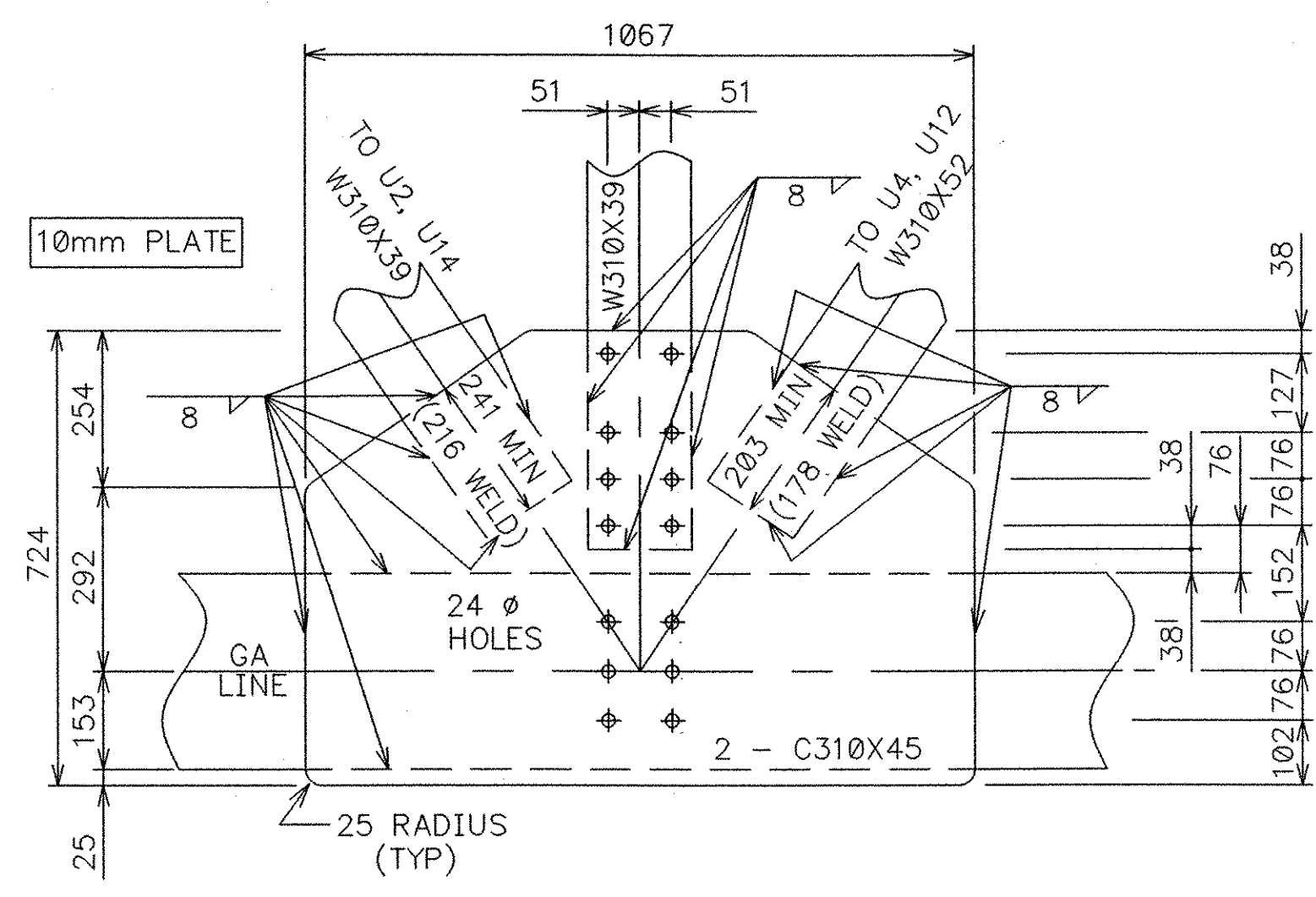
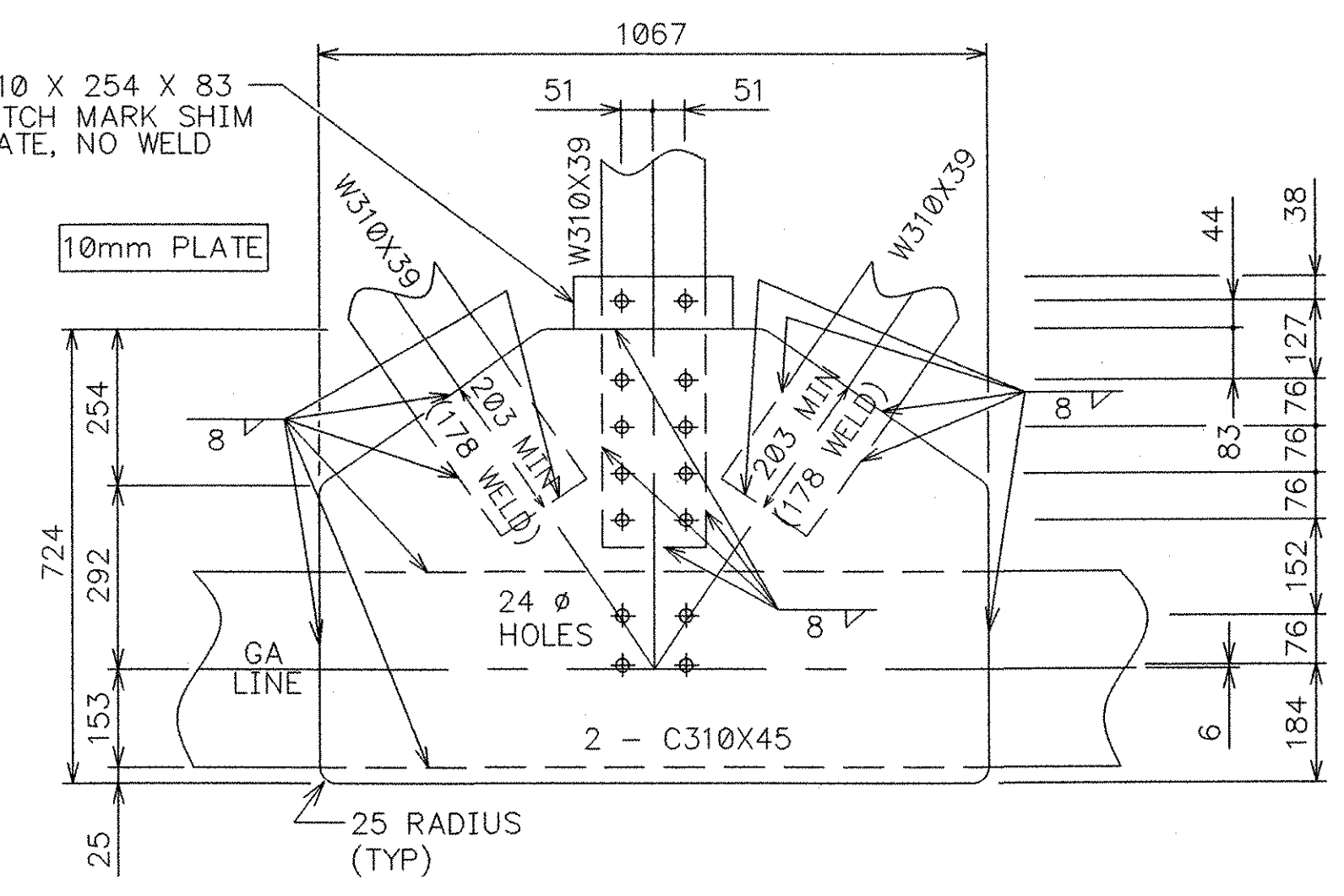


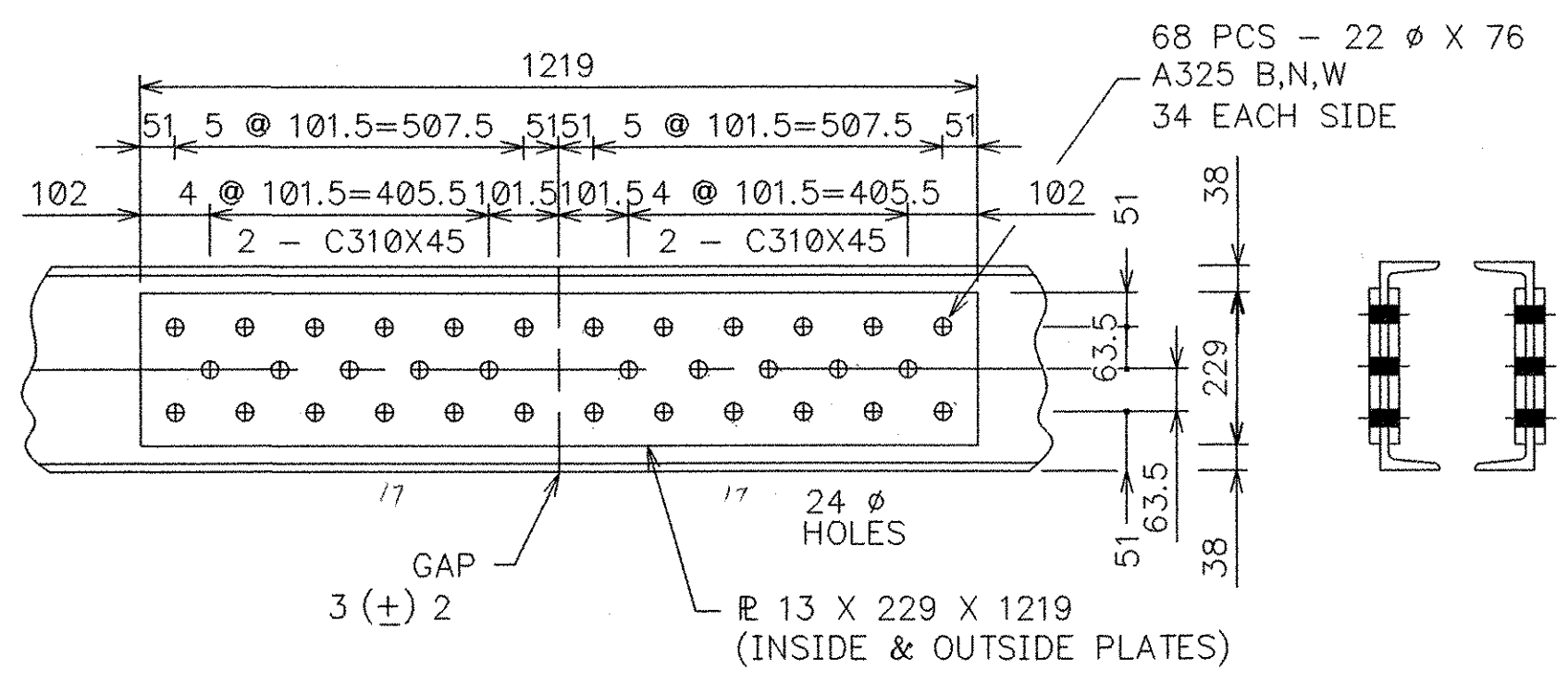
L1 GUSSET PLATE - 4 REQ'D



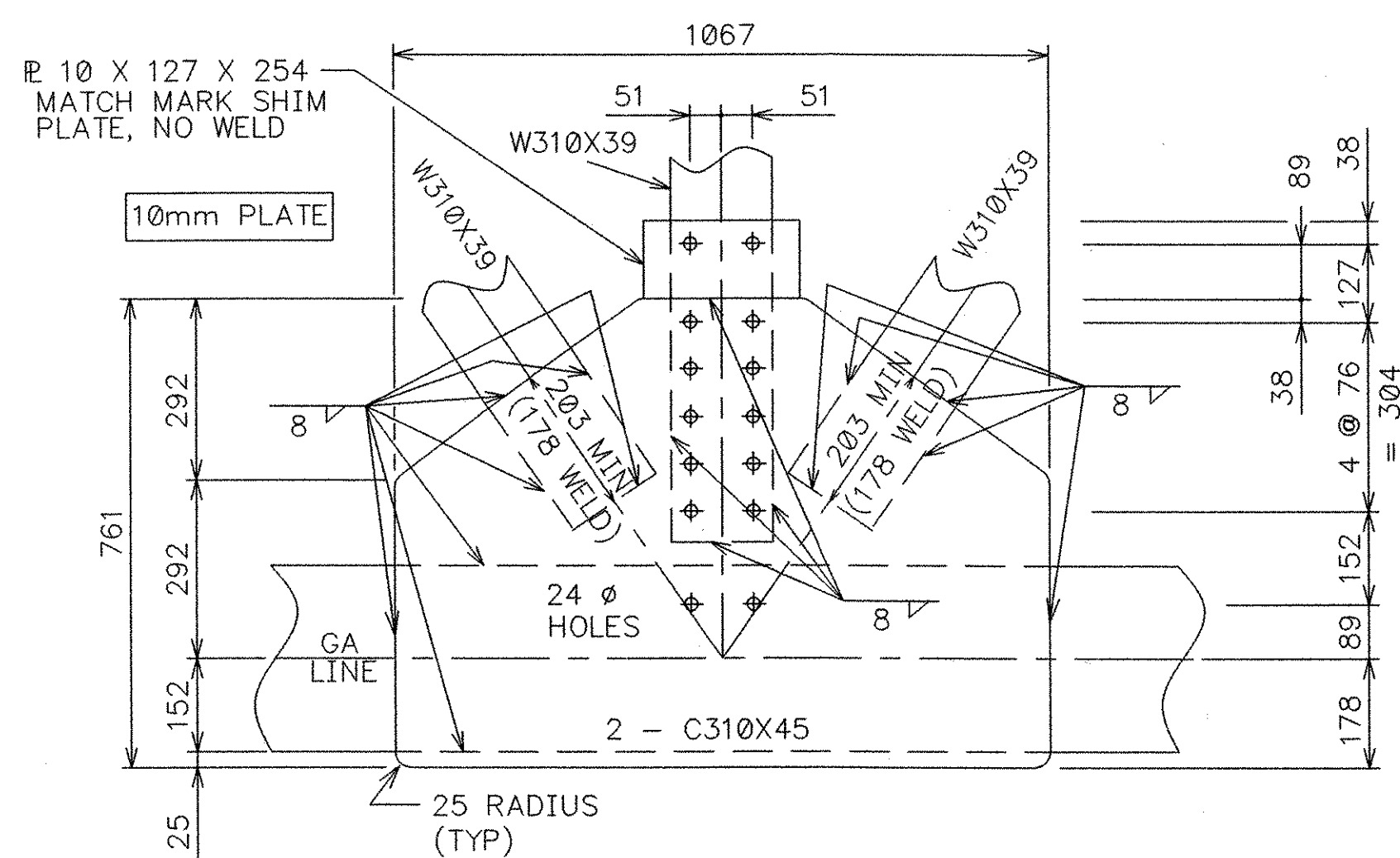
L3 & L13 GUSSET PLATES - 8 REQ'D



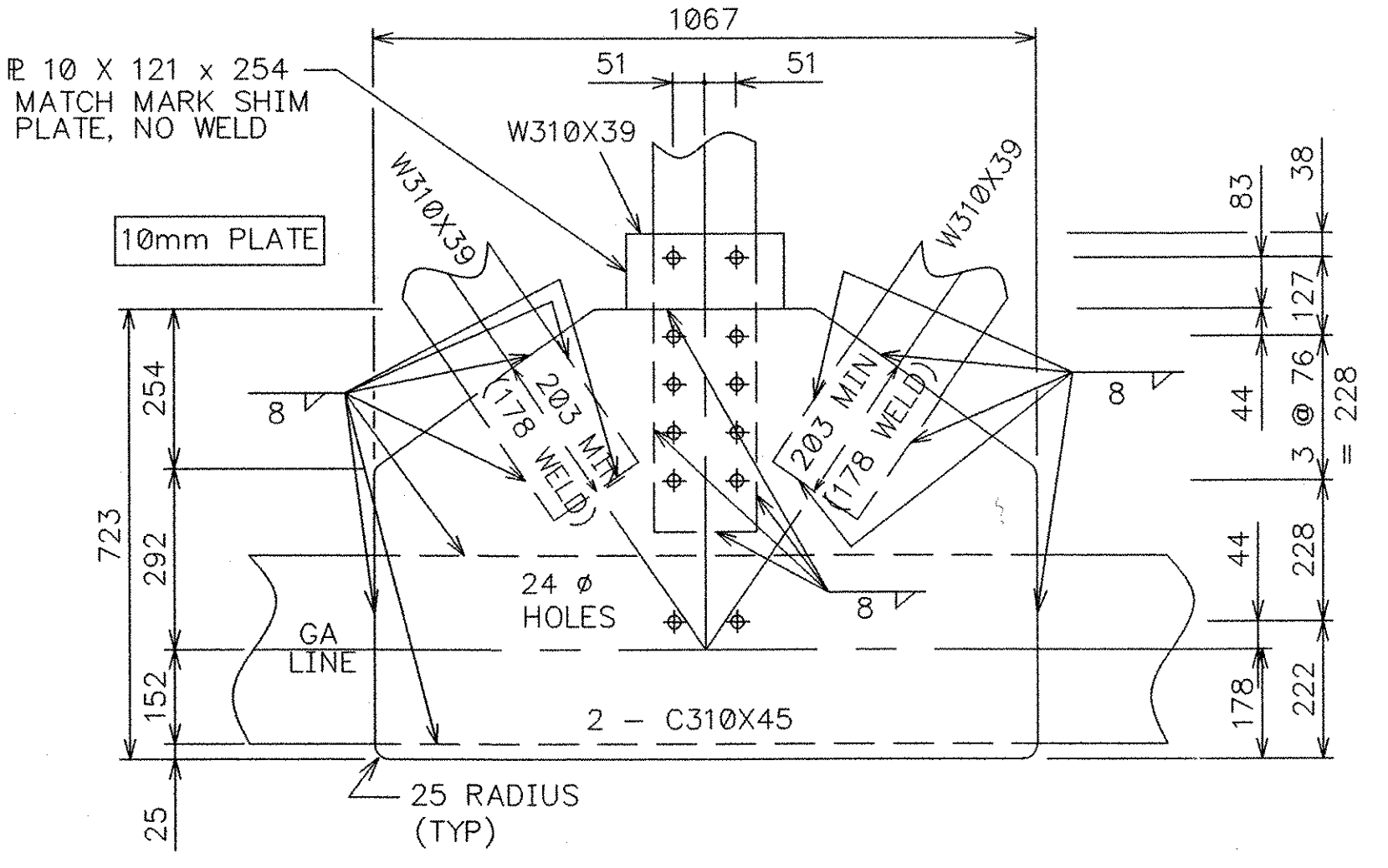
L5 GUSSET PLATES - 4 REQ'D



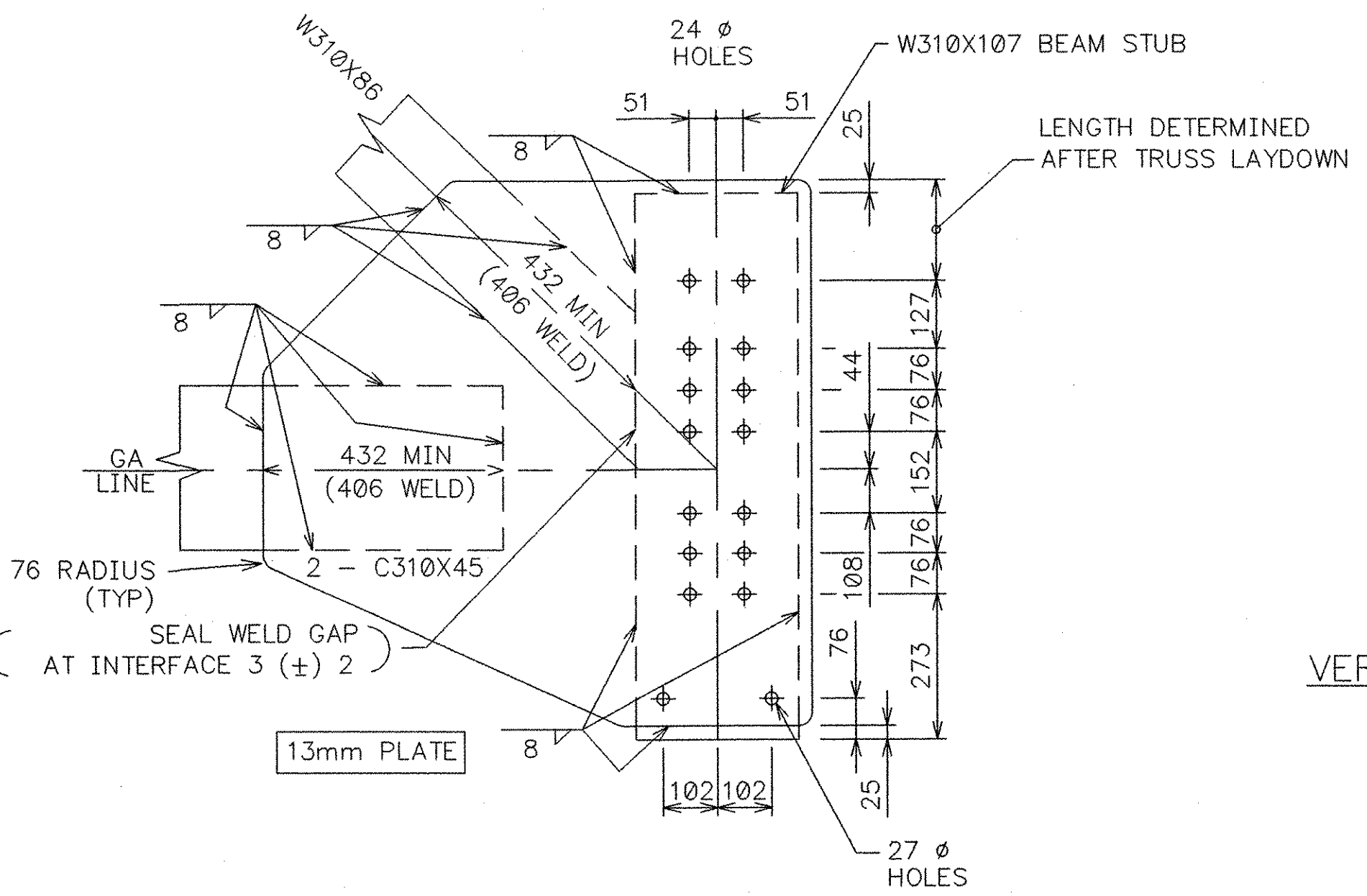
L5-L7, L9-L11 SPLICE DETAIL - 4 REQ'D



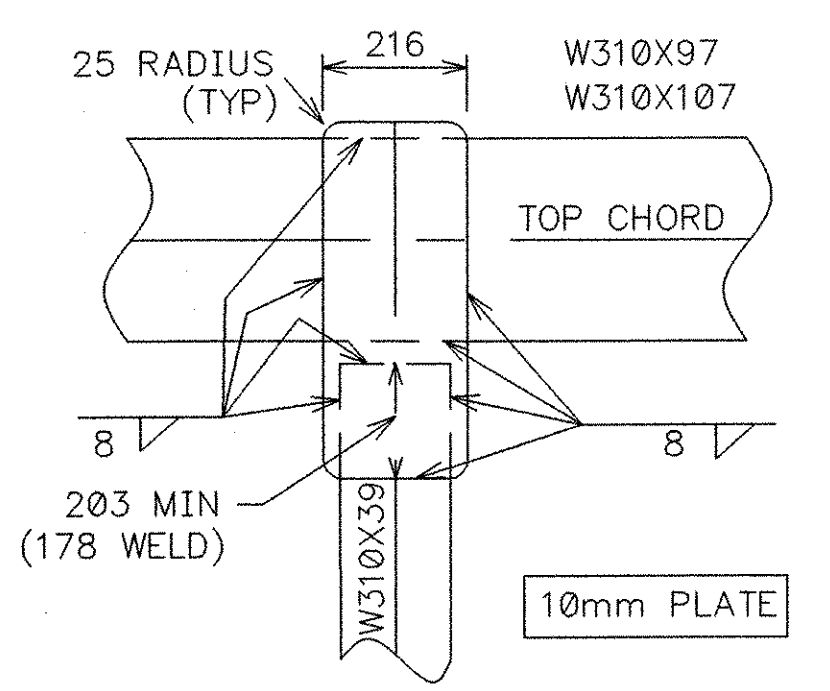
L7 & L9 GUSSET PLATES - 8 REQ'D



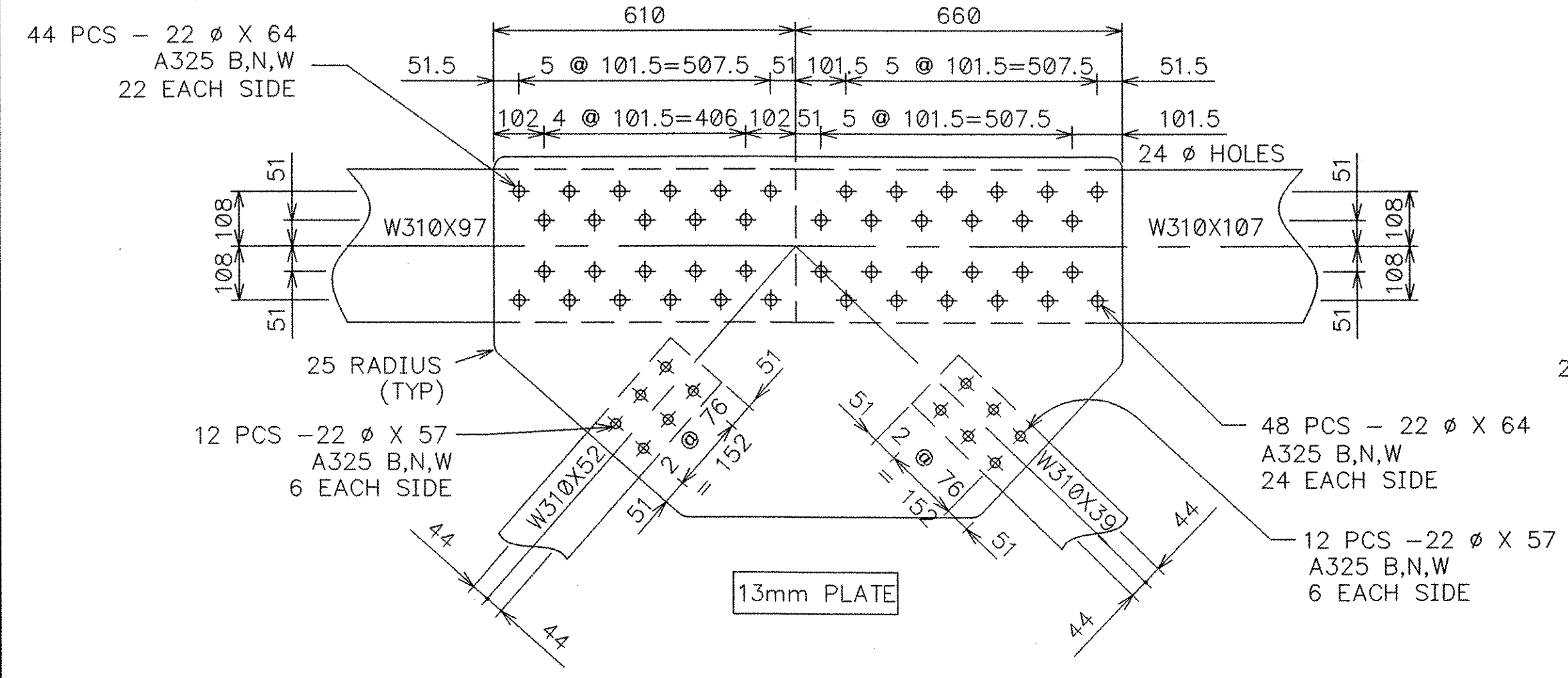
L11 GUSSET PLATES - 4 REQ'D



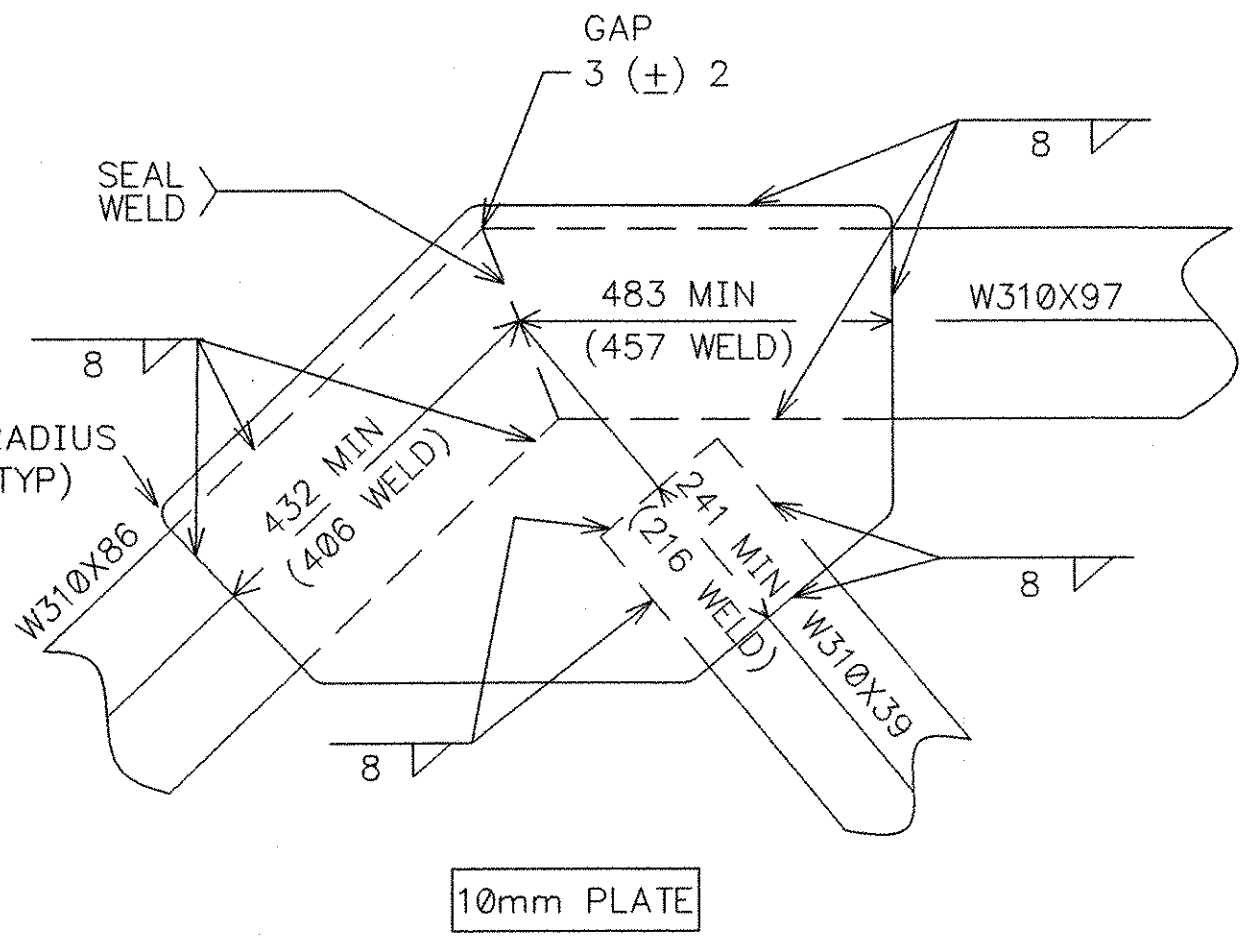
L15 GUSSET PLATE - 4 REQ'D



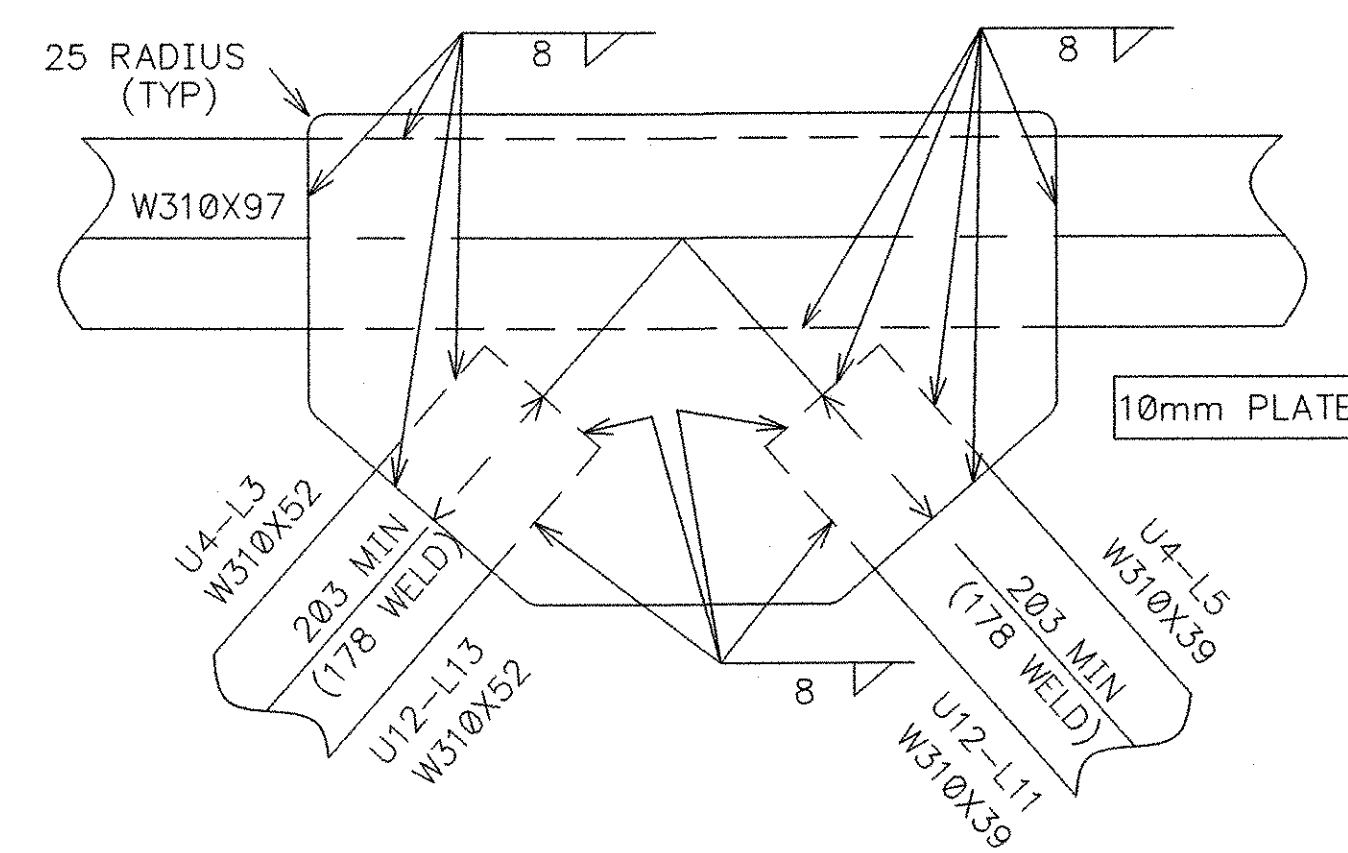
VERTICAL GUSSET PLATES - 24 REQ'D



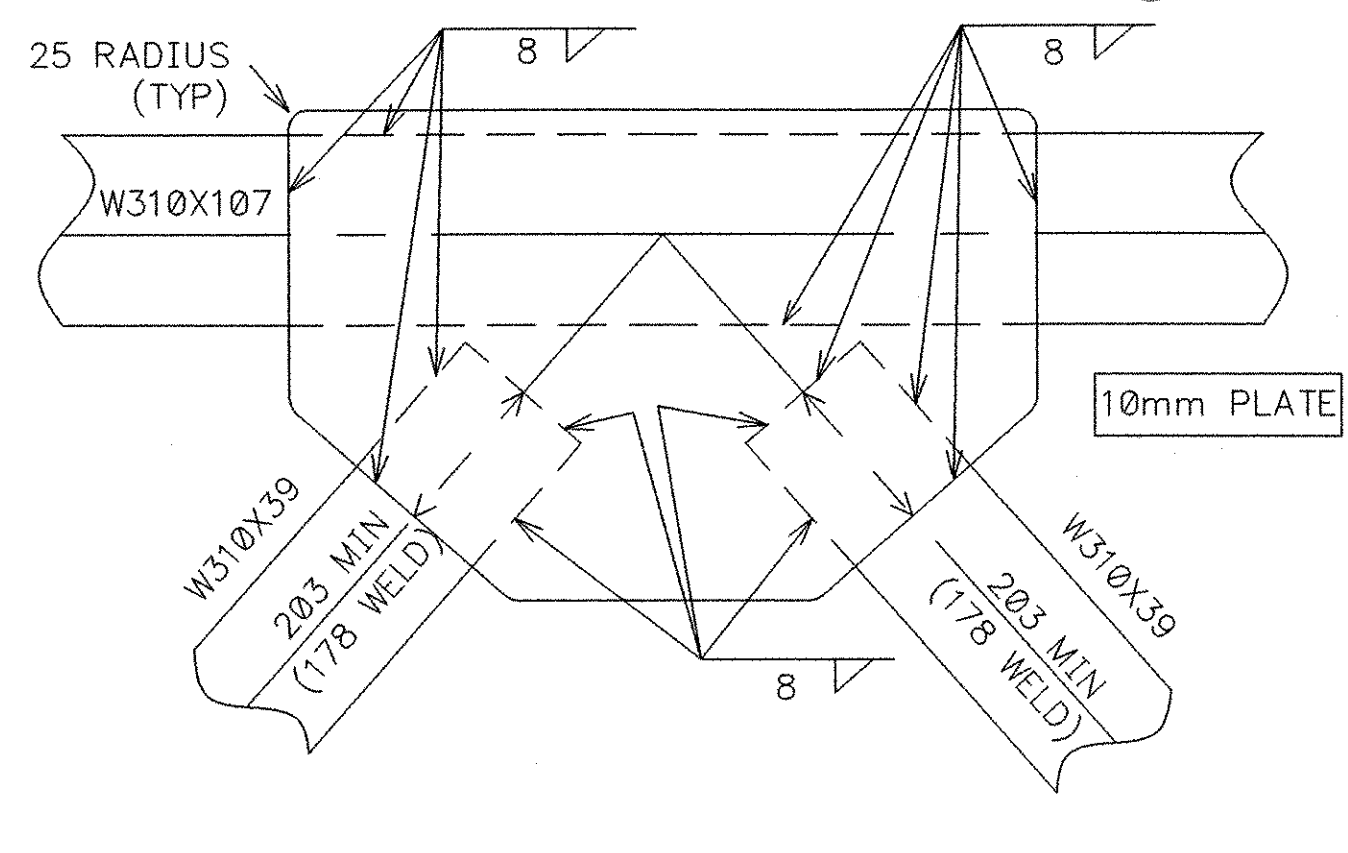
U6 AND U10 GUSSET PLATES - 8 REQ'D



U2 AND U14 GUSSET PLATES - 8 REQ'D



U4 AND U12 GUSSET PLATES - 8 REQ'D



U8 GUSSET PLATE - 4 REQ'D

RECEIVED
 DCD BY: Mem
 DEC 15 2006
 REG. BY: APPROVED
 BY: DATE 01-06-07

6 (±) 3 HOLD BACK ON EACH WELD ON EACH SIDE AT EACH CORNER

NOTE: DRAWINGS RELATIVE DO NOT SCALE

ALL DIMENSIONS ARE IN MILLIMETERS

NO:	DATE:	REVISIONS:	BY:	31.10M TRUSS BRIDGE 4.50M ROADWAY BRIDGE NO. 45, TOWN OF CAVENDISH
1	12/11/06	SHIM PLATE NOTE ADDED	JEC	
WINDSOR COUNTY, VERMONT				DRAWING NO: Cavendish_Metric 102X14_FlatTruss.dwg
DESIGN:	DRAWN:	DATE:	SHEET	
AG	DMK	09/08/06	4 OF 5	
CHECK/DATE:	FABRICATOR:	OHIO BRIDGE CORP.		
10/05/06				

067 55