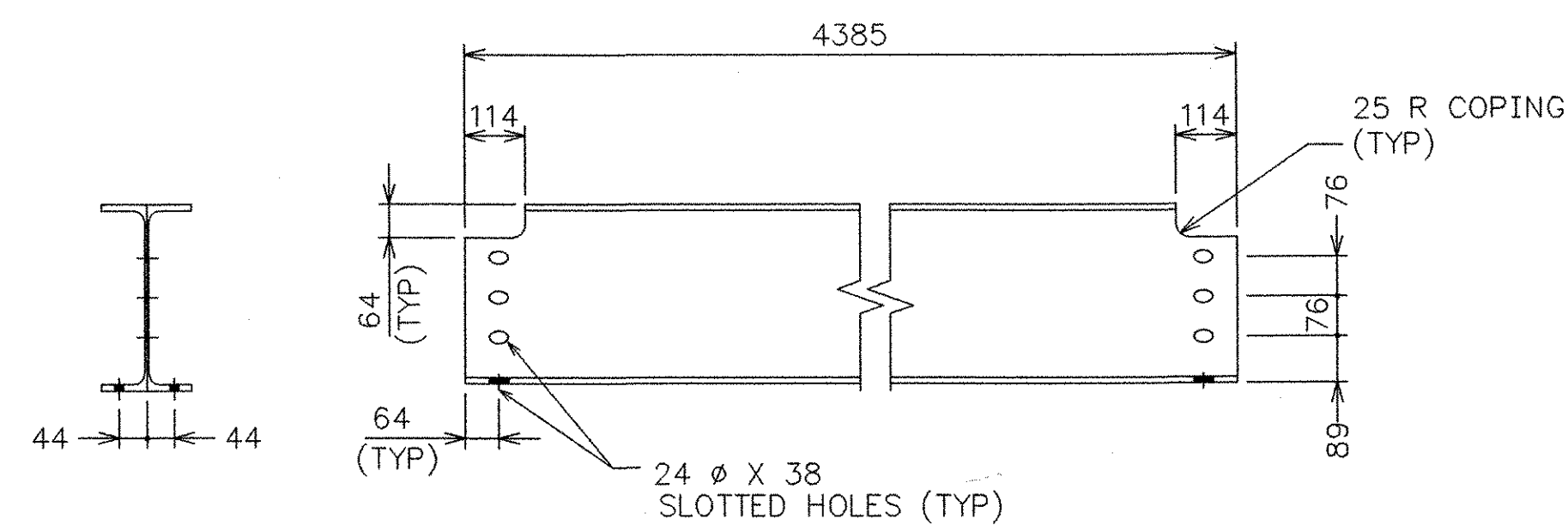


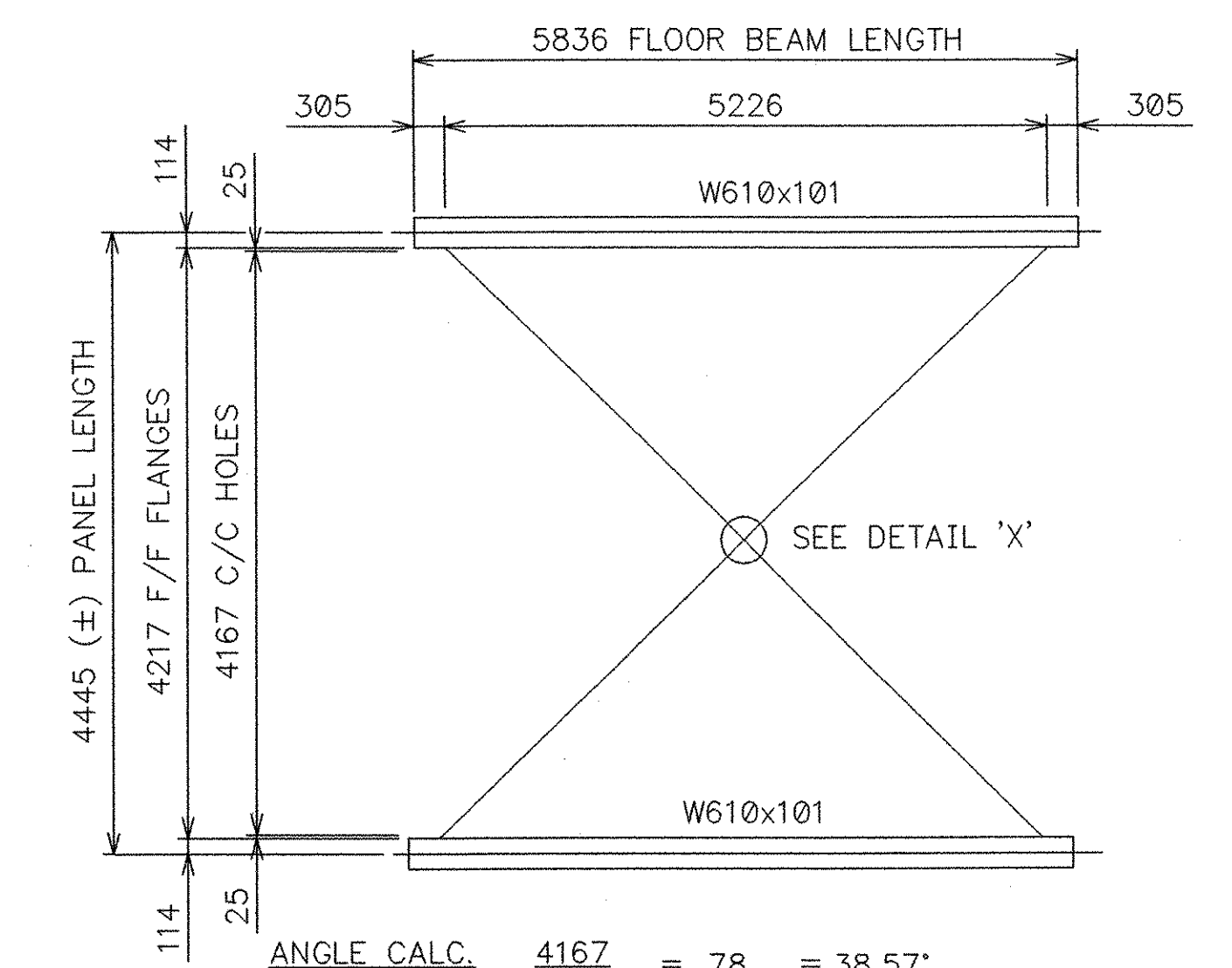
INTERIOR & EXTERIOR FLOOR BEAM DETAIL

W610X101
8 REQ'D
(EXTERIOR FLOOR BEAM TO HAVE ONLY 2 LATERAL ROD PLATES)



W360X51 STRINGERS (TYP)

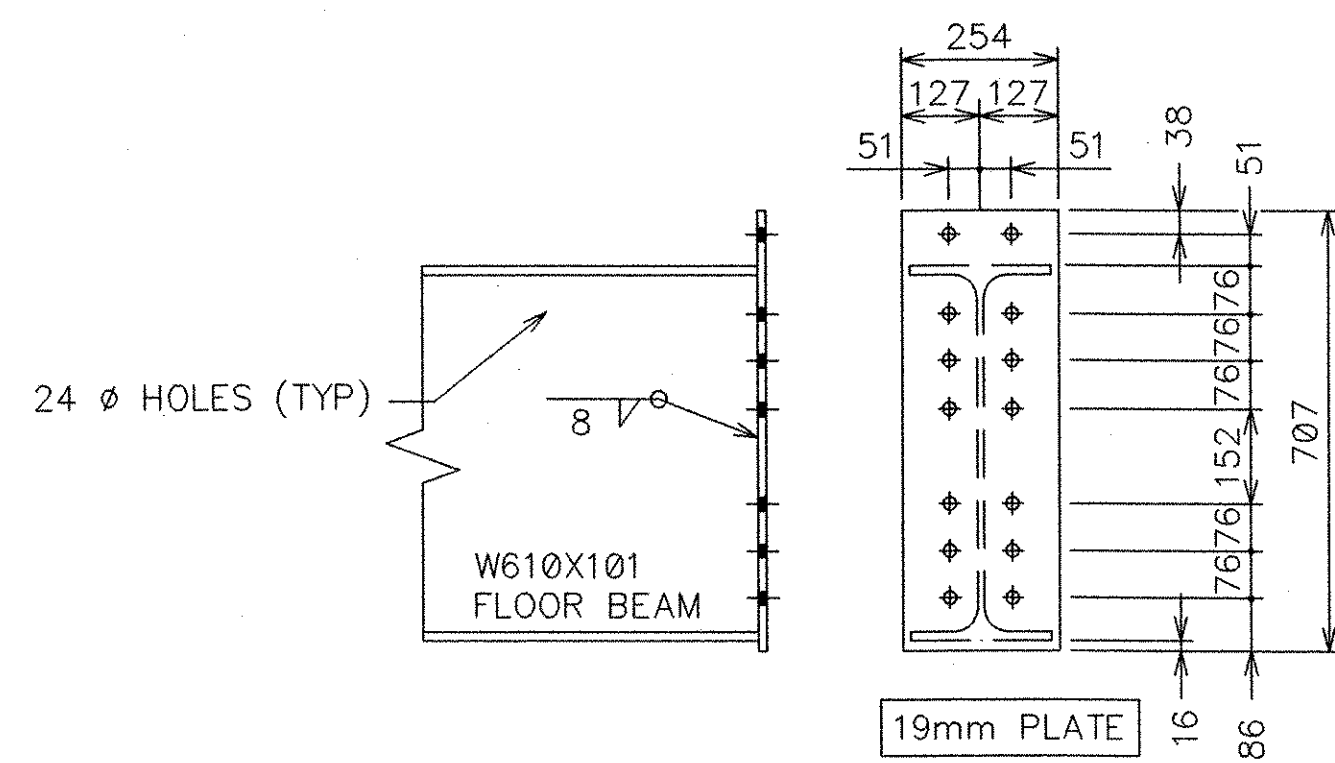
28 REQ'D



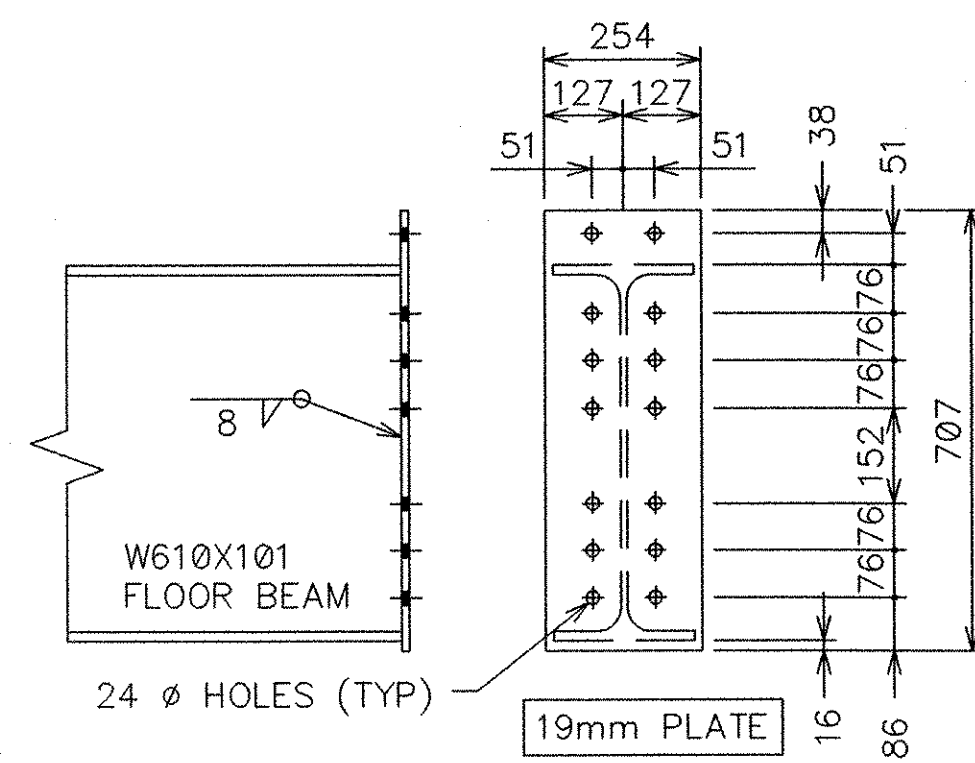
ANGLE CALC. $\frac{4167}{5226} = .78 = 38.57^\circ$
LENGTH CALC. $\frac{5226}{\cos 38.536^\circ} = 6685$

LATERAL ROD LENGTHS

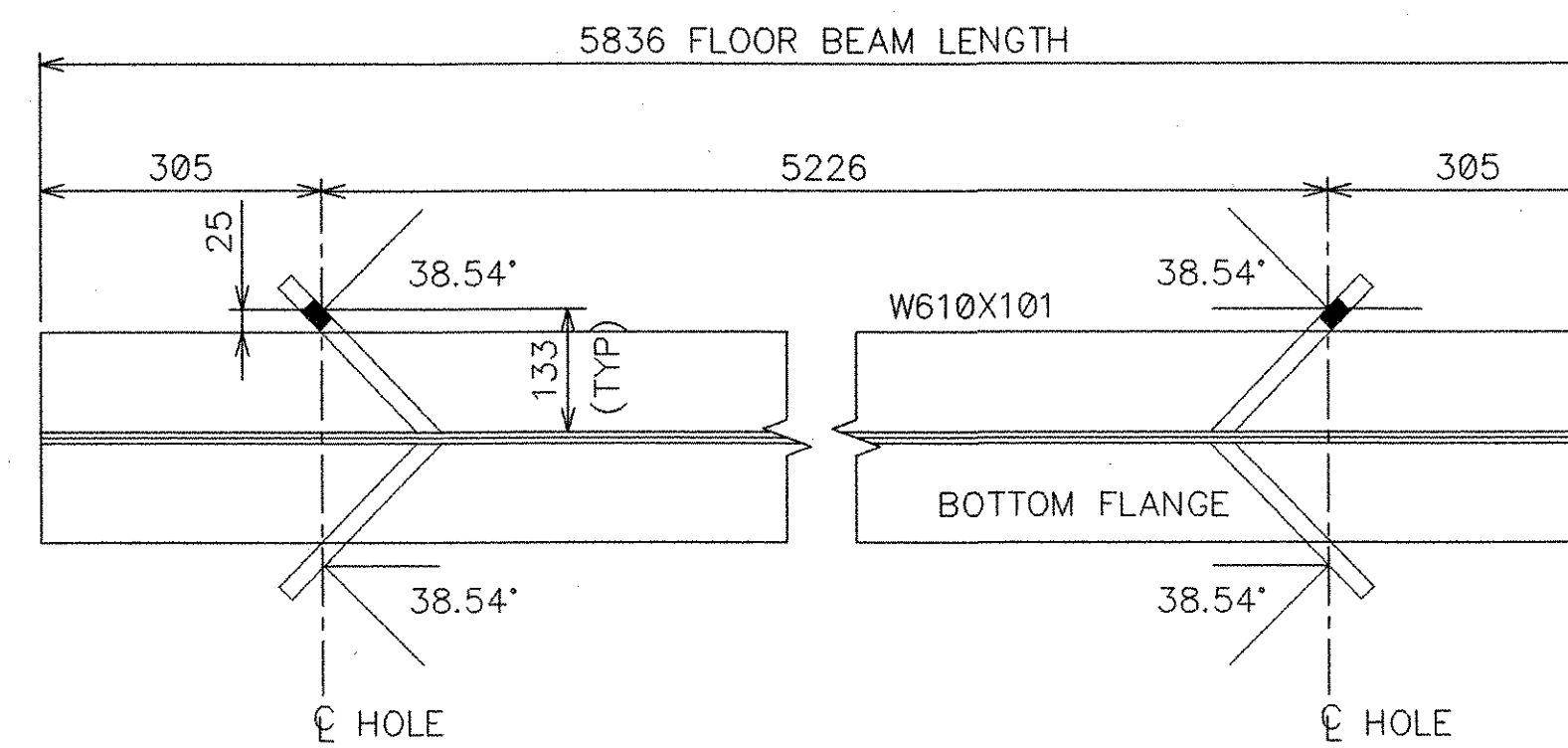
14 PCS - 25 Ø ROD
6858 WITH 152 THREAD, NUT AND WASHER EACH END



FLOOR BEAM END PLATE DETAIL
FLOOR BEAM #1 & #8
4 REQ'D

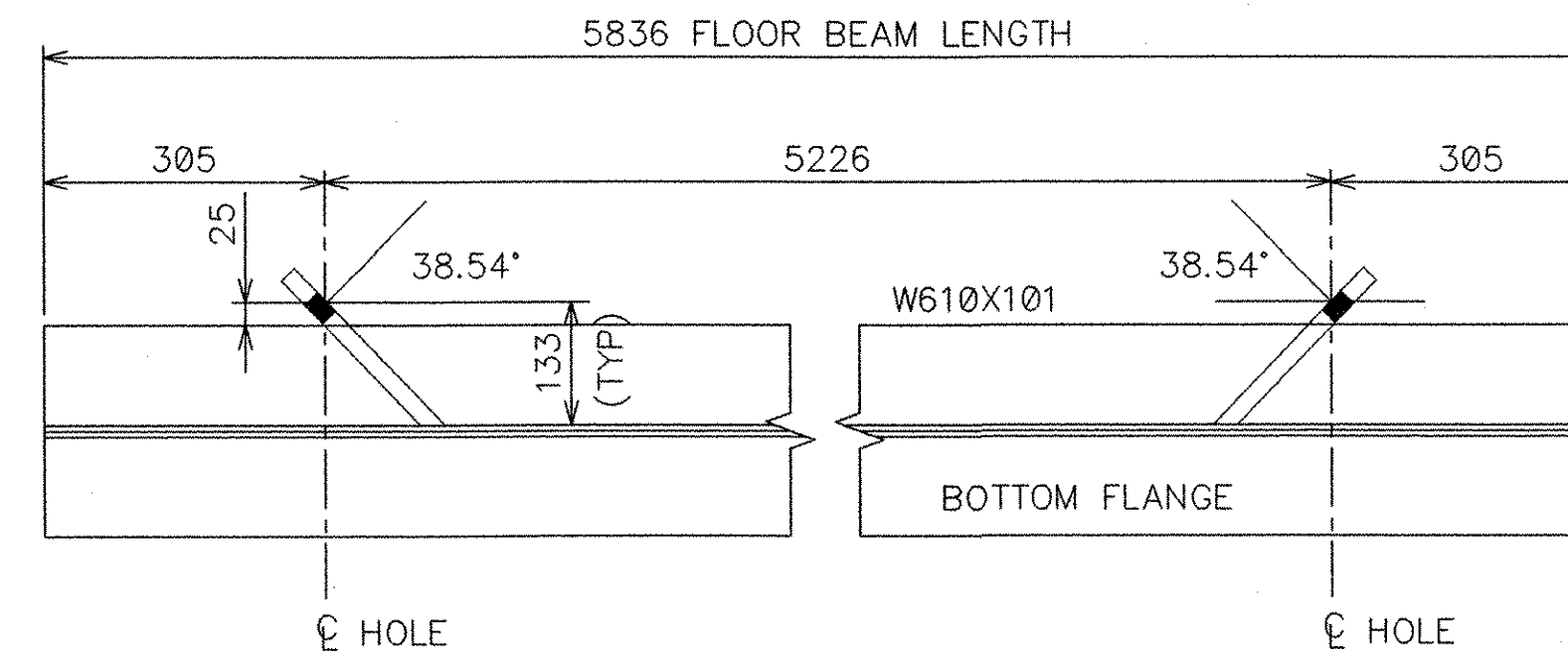


FLOOR BEAM END PLATE DETAIL
FLOOR BEAM #2 & #7
4 REQ'D



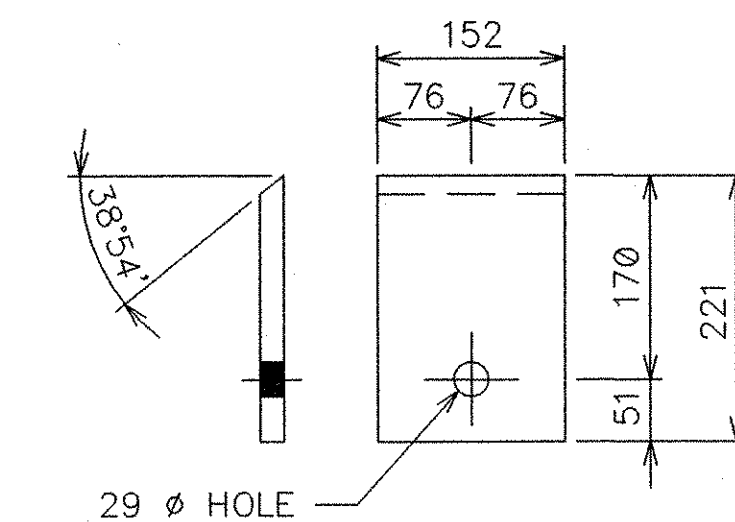
INTERIOR FLOOR BEAM LATERAL ROD ANCHOR LAYOUT

(FB# 2,3,4,5,6,7)
6 REQ'D



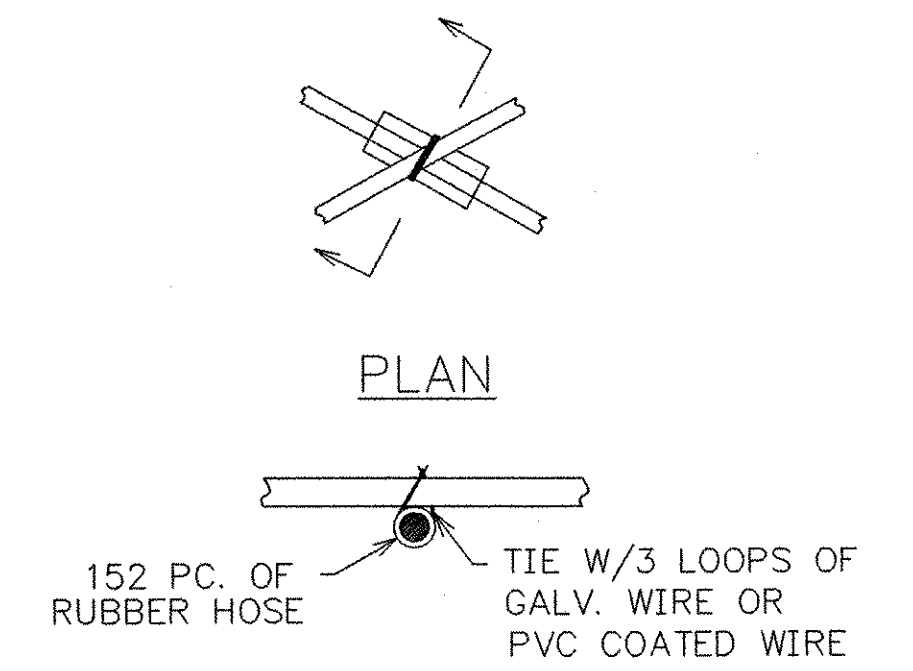
EXTERIOR FLOOR BEAM LATERAL ROD ANCHOR LAYOUT

(FB# 1 & FB# 8)
2 REQ'D



LATERAL ROD PLATE

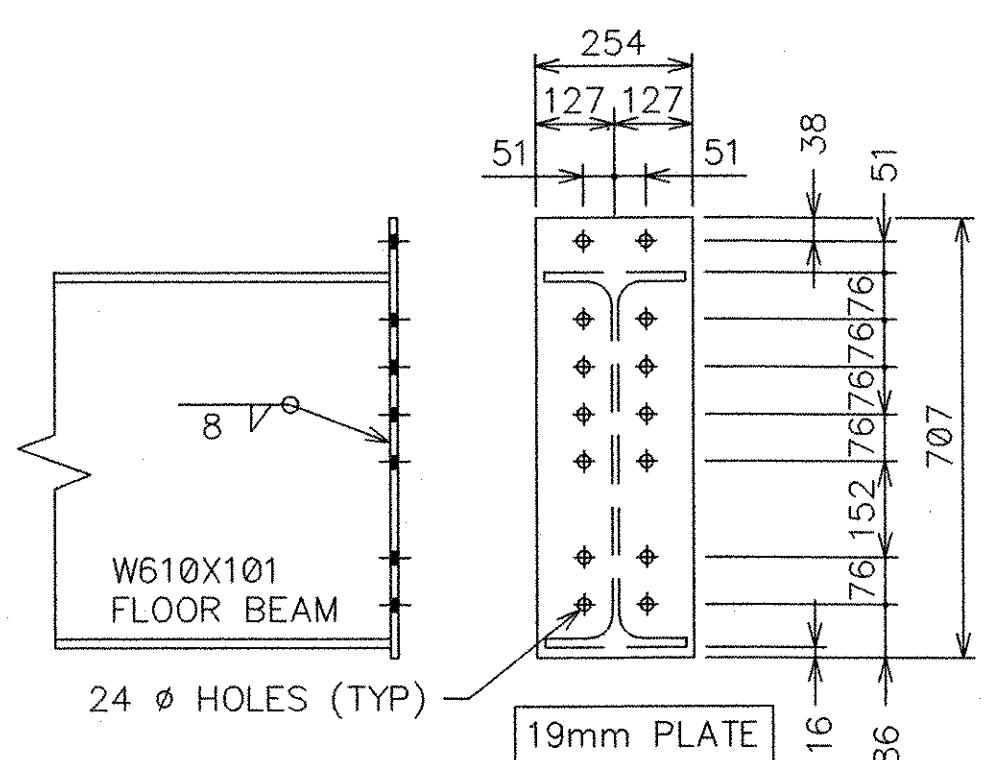
Ø 19 X 152 X 221
28 REQ'D



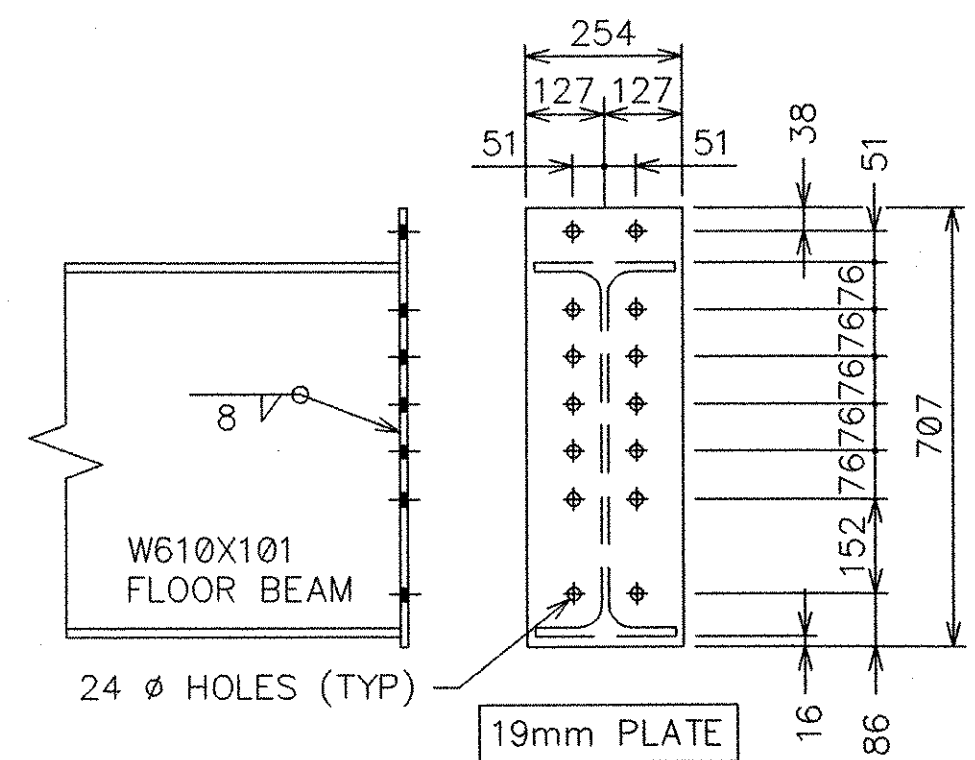
PLAN

SECTION

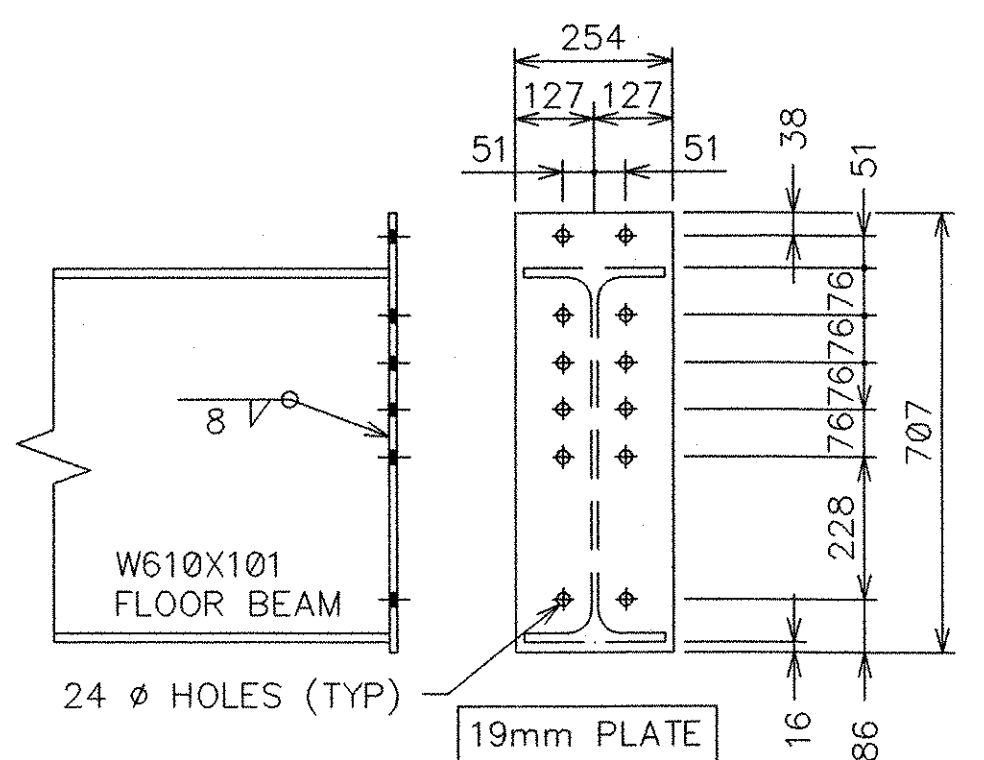
DETAIL X



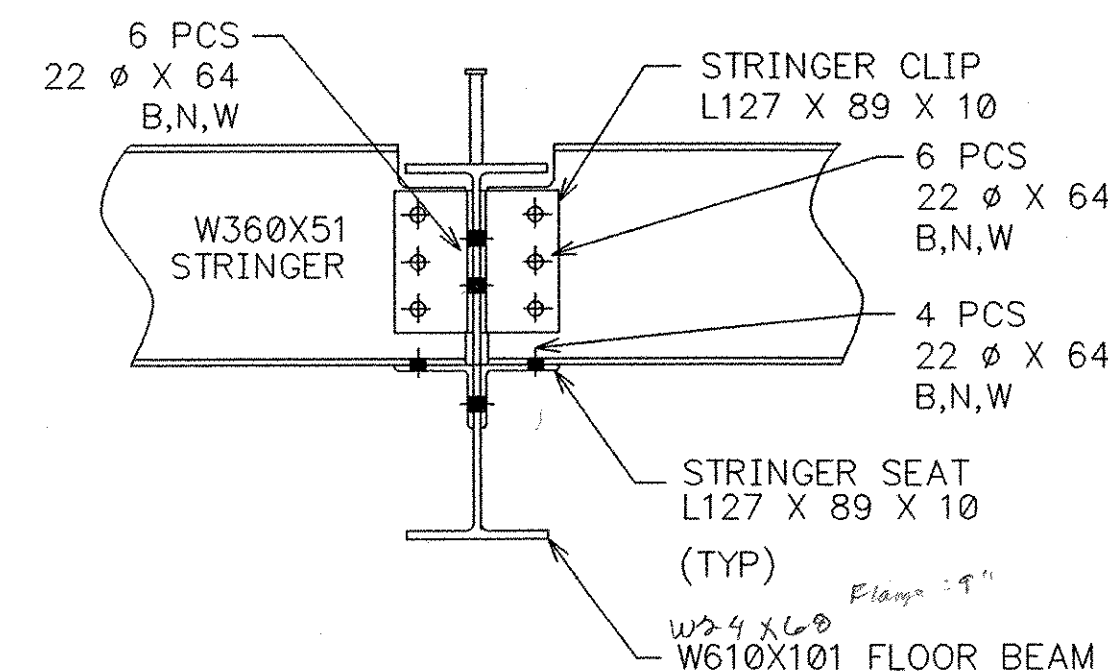
FLOOR BEAM END PLATE DETAIL
FLOOR BEAM #3
2 REQ'D



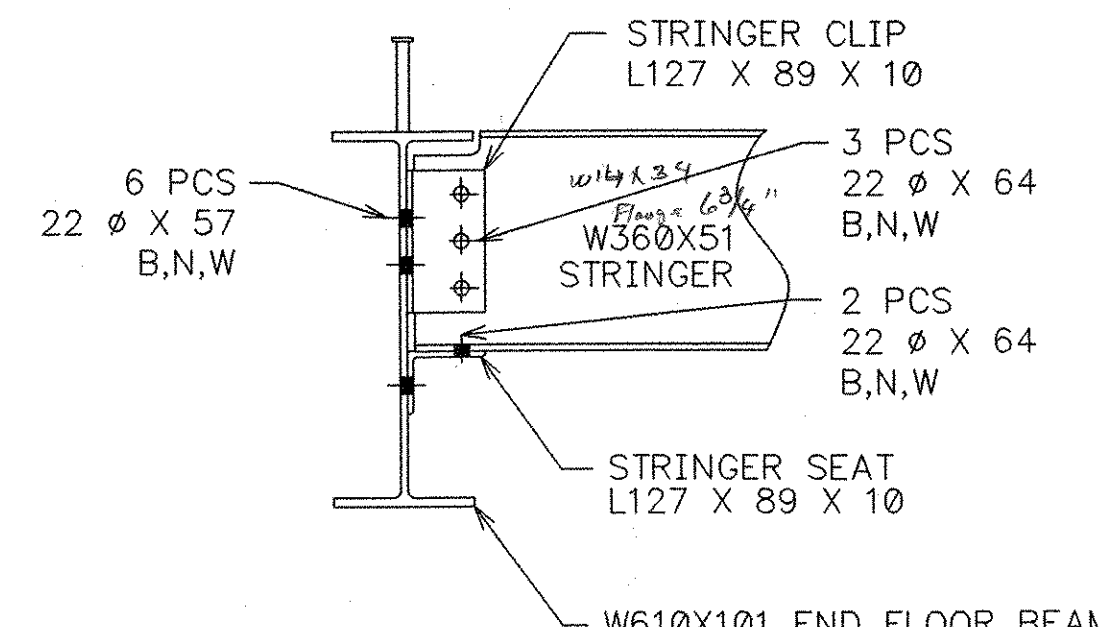
FLOOR BEAM END PLATE DETAIL
FLOOR BEAM #4 & #5
4 REQ'D



FLOOR BEAM END PLATE DETAIL
FLOOR BEAM #6
2 REQ'D



STRINGER CONNECTION
@ INTERIOR FLOOR BEAM



STRINGER CONNECTION
@ EXTERIOR FLOOR BEAM

STRINGER CONNECTION

ANGLE DETAIL

L127 X 89 X 10
56 REQ'D 3/8"
(TYP)

STRINGER SEAT DETAIL

L127 X 89 X 10
56 REQ'D 3/8"
(TYP)

ALL DIMENSIONS ARE IN MILLIMETERS

NO.	DATE:	REVISIONS:	BY:
1	12/8/06	STRINGER SEAT REVISED	JEC
2	12/8/06	FLOOR BEAM DETAIL REVISED	JEC

31.10M TRUSS BRIDGE 4.50M ROADWAY
BRIDGE NO. 45, TOWN OF CAVENDISH

WINDSOR COUNTY, VERMONT

DESIGN: AG	DRAWN: DMK	DATE: 09/08/06
CHECK/DATE 10/05/06	FABRICATOR OHIO BRIDGE CORP.	DRAWING NO: Cavendish_Metric 102X14_FlatTruss.dwg

SHEET
3 OF 5

NOTE: DRAWINGS RELATIVE DO NOT SCALE