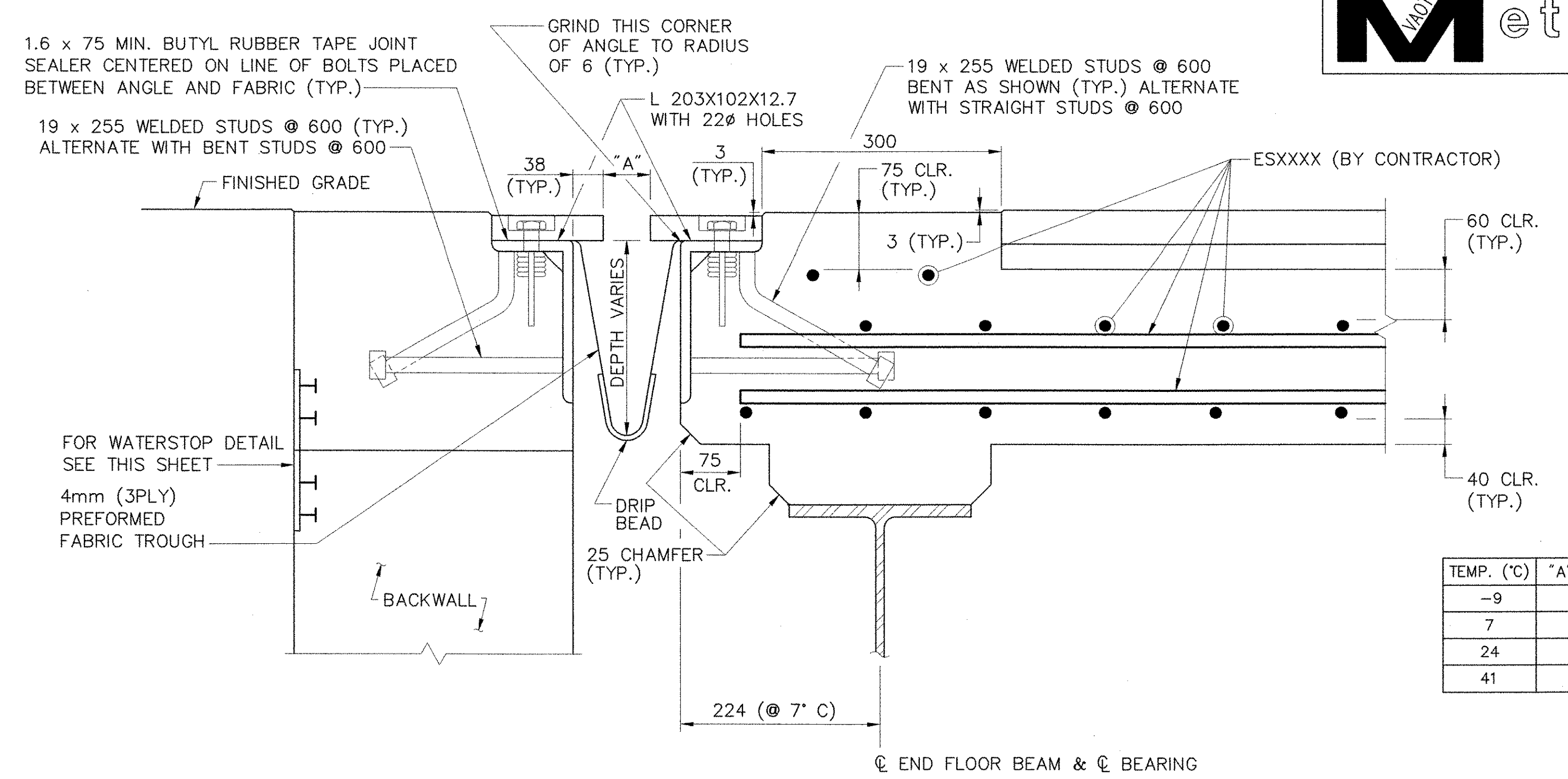
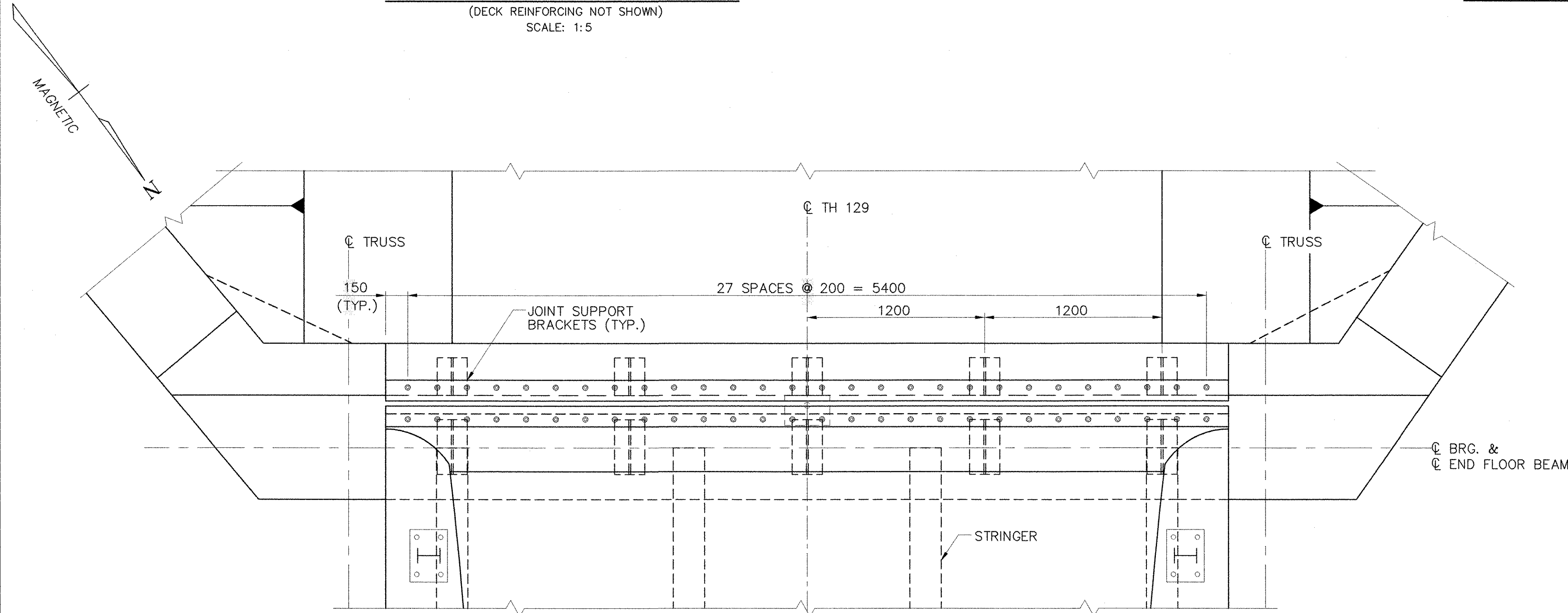


EXPANSION JOINT AT BRACKETS
(DECK REINFORCING NOT SHOWN)
SCALE: 1:5

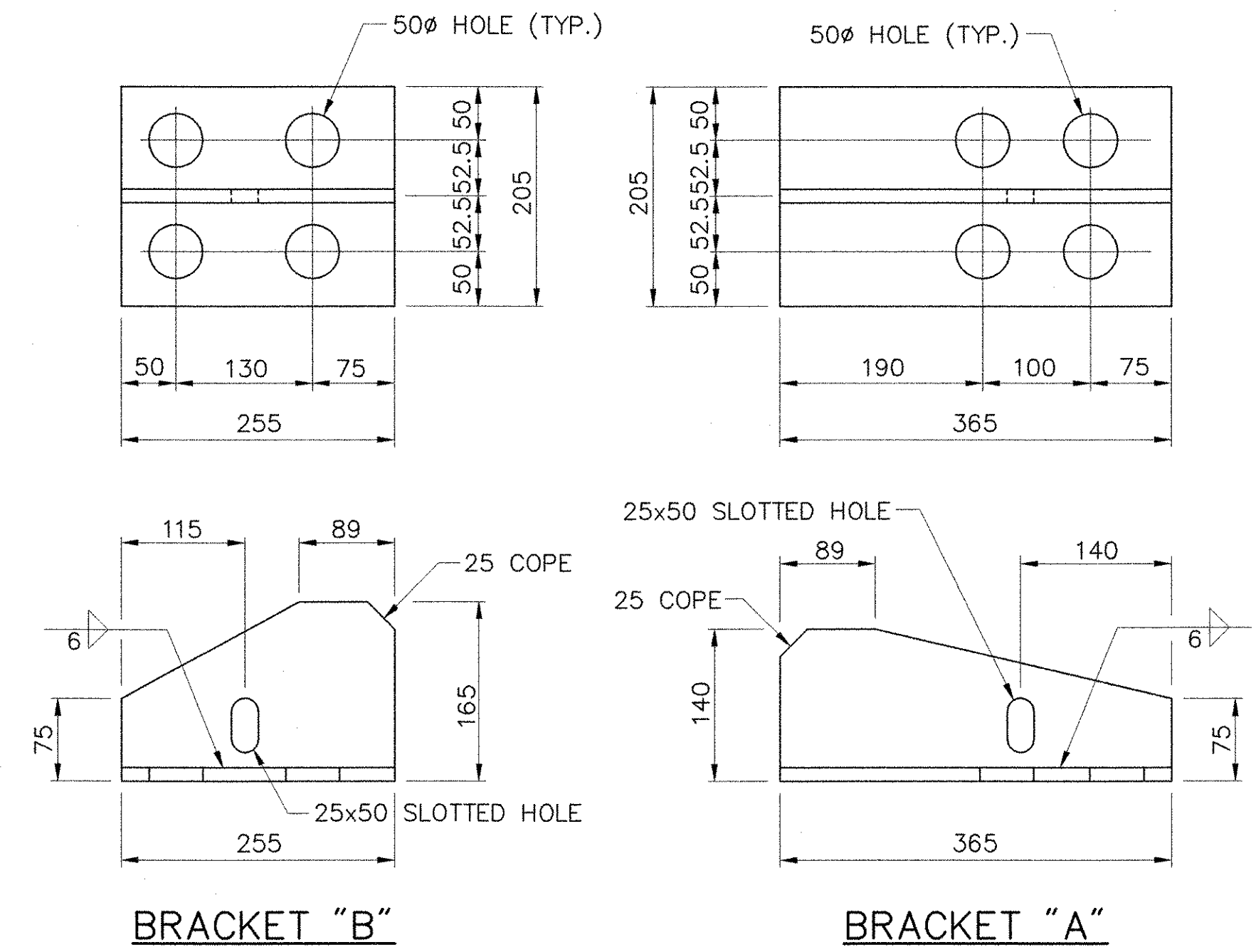


EXPANSION JOINT BETWEEN BRACKETS
SCALE: 1:5

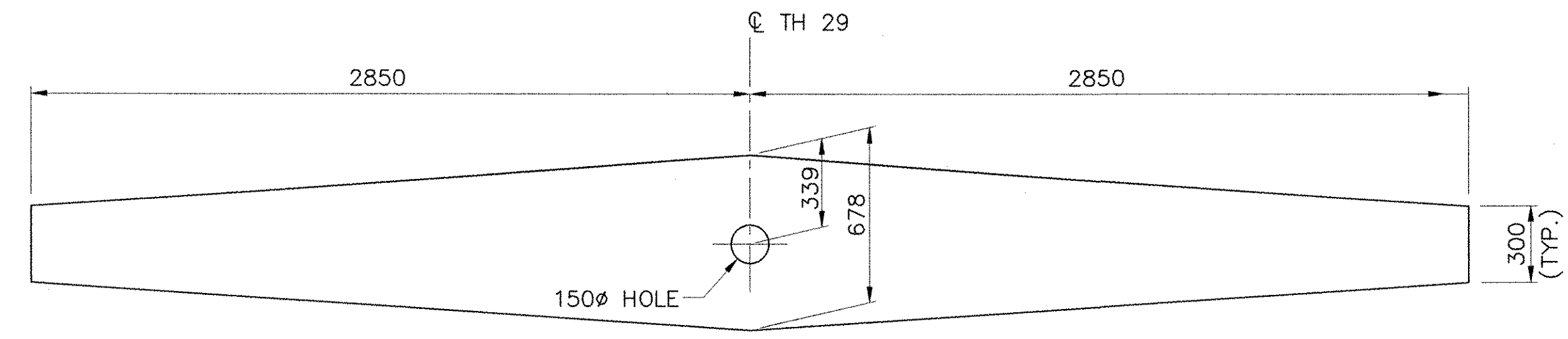
TEMP. (°C)	"A" mm
-9	38
7	32
24	26
41	20



EXPANSION JOINT PLAN
(TRUSS PEDESTALS AND RAILING NOT SHOWN)
SCALE: 1:20



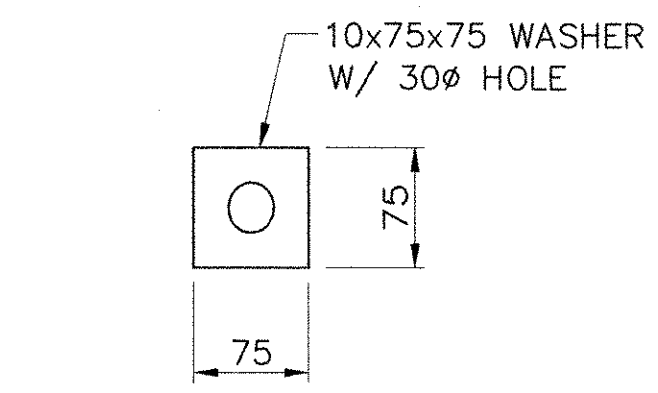
EXPANSION JOINT BRACKETS
SCALE: 1:5



PLAN VIEW OF FABRIC FOR TROUGH
SCALE: 1:20



ANCHOR FERRULE DETAIL
SCALE: 1:5
NOTE: CLOSED THREADED FERRULE NUTS WITHOUT ANCHOR LOOPS MAY BE USED.



BRACKET WASHER
SCALE: 1:5

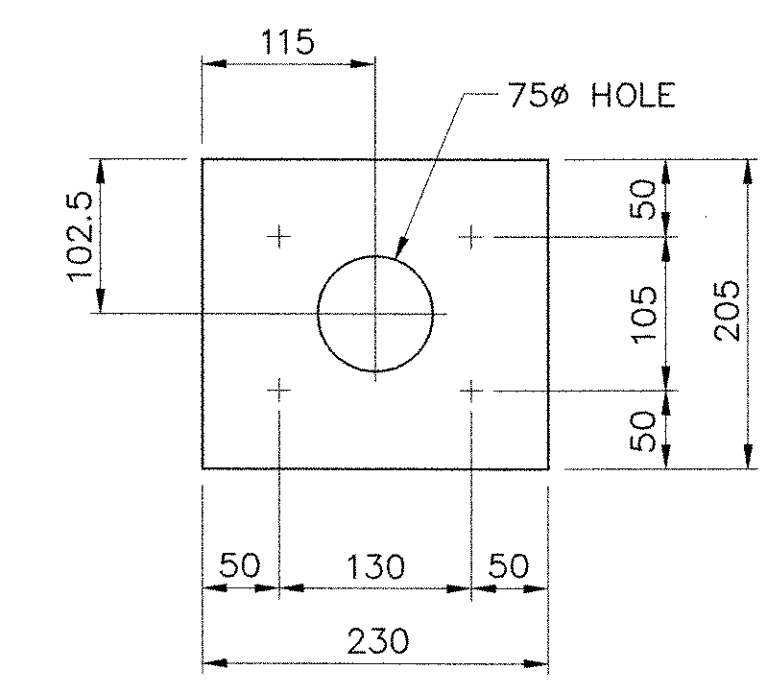


PLATE "A" DETAIL*
SCALE: 1:5
(WELDED STUDS NOT SHOWN)

NOTE:
FOR EXPANSION JOINT NOTES, SEE SHEET 21.

STATE OF VERMONT AGENCY OF TRANSPORTATION

Town Of	CAVENDISH	Bridge No.	45
Highway No.	TH 29	Log Sta.	
		Surv. Sta.	
TH 29 OVER BLACK RIVER			
EXPANSION JOINT DETAILS			
Designed By	S.M. HODGDON	Drawn By	C.L. CILLEY
Checked By	M.M. LANDREY	Bridge Design Supervisor	C.D. BAKER
Date	5/06	Date	5/06
PROJECT	CAVENDISH	PROJECT NO.	BRO 1442(23)
I.G.C. Info.			
Bridge Sheet No.	50499EJ	Sheet	23 of 47