

RM 13
METAL DISK STAMPED 9 DSL 1972 719
IN TOP 2.1 m BOULDER
ELEV. = 219.213 m

BRASS DISK IN LEDGE
ST. OF VT.
1975
CAV. 5

**STATE OF VERMONT
AGENCY OF TRANSPORTATION**

Town Of	CAVENDISH	Bridge No.	45
Highway No.	TH 29	Log Sta.	
		Surv. Sta.	

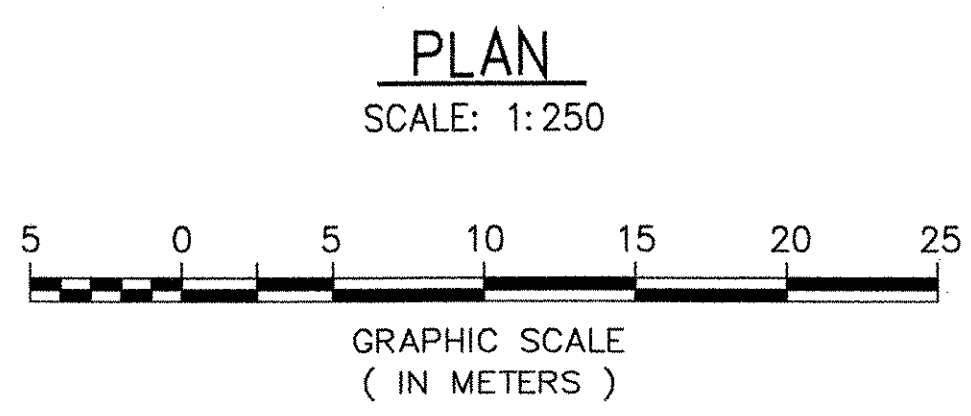
**TH 29 OVER BLACK RIVER
EXISTING CONDITIONS SITE PLAN**

Designed By	C. L. CILLEY	Drawn By	C.L. CILLEY
Checked By	Date	Bridge Design Supervisor	
S.W. JOHNSON	5/06	C.D. BAKER	Date 5/06

PROJECT	CAVENDISH	PROJECT NO.	BRO 1442(23)
---------	-----------	-------------	--------------

I.G.C. Info.	Bridge Sheet No. 50499EC1	Sheet 14 of 47
--------------	---------------------------	----------------

DATUM
VERTICAL NGVD 1927
HORIZONTAL ASSUMED



VANASSE HANGEN BRUSTLIN, INC.