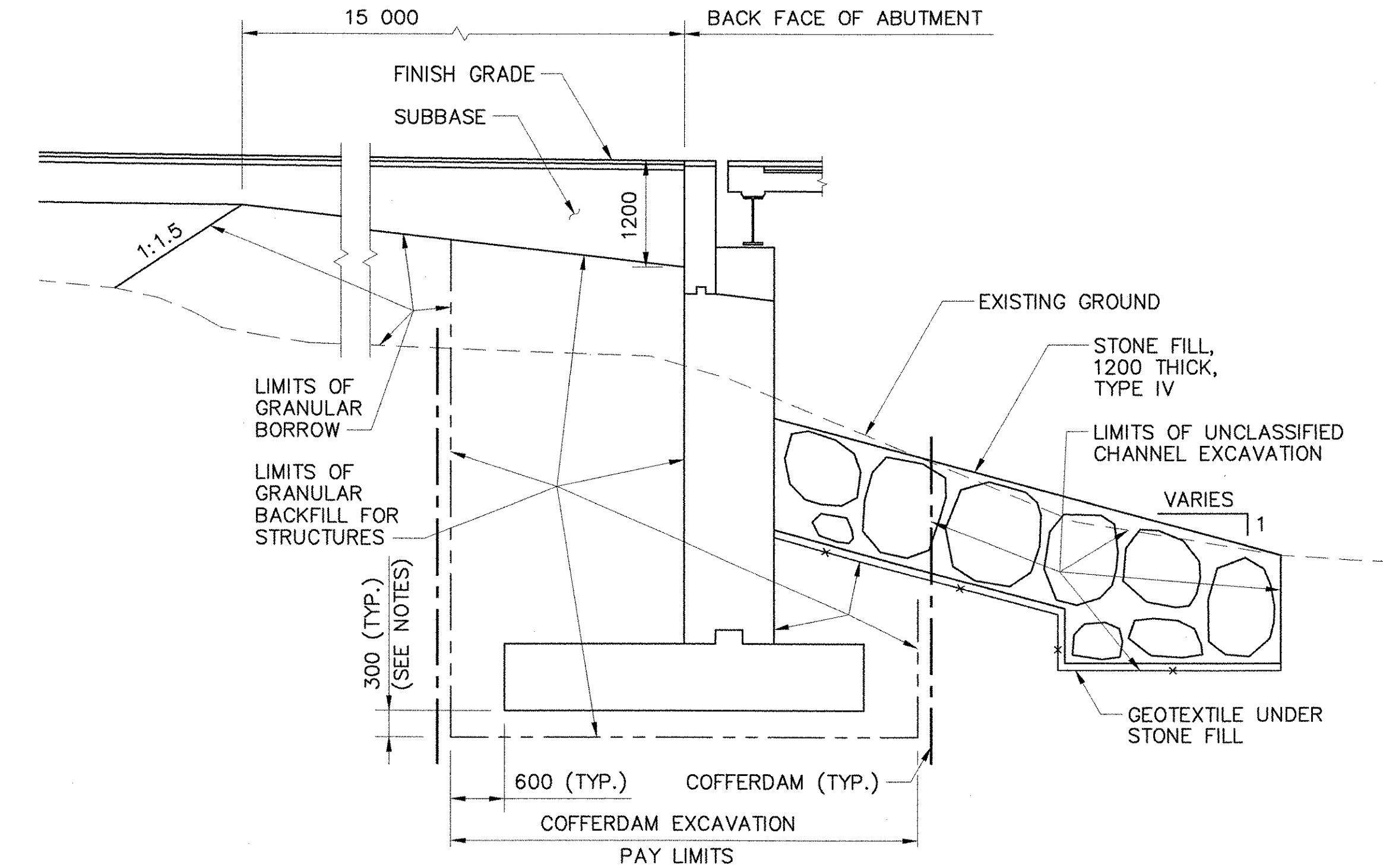


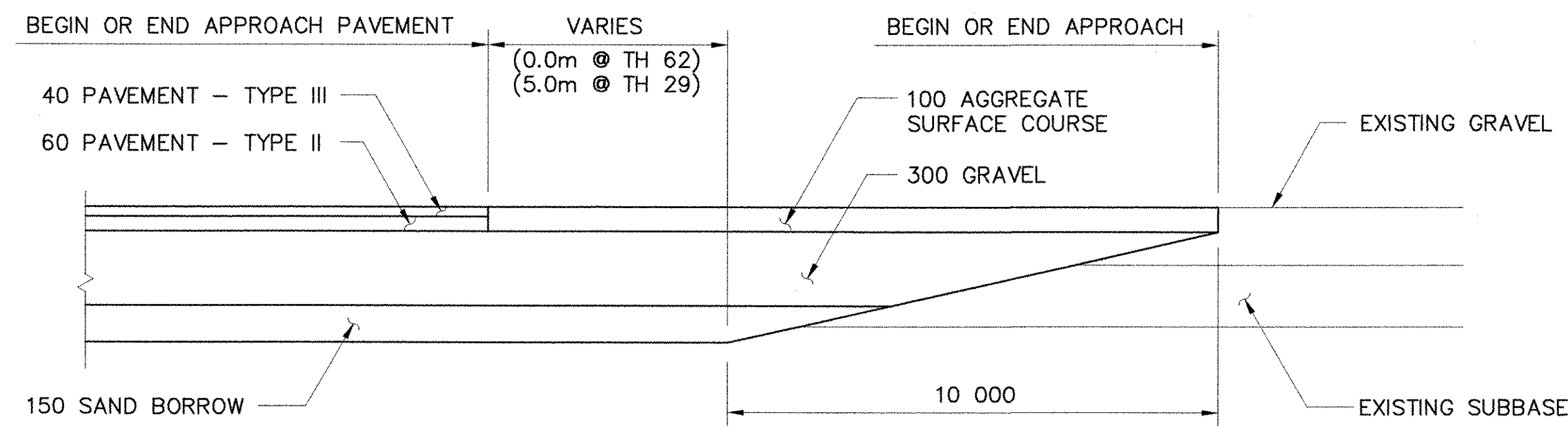
\* GRUBBING MATERIAL SHALL NOT BE PLACED ON THE STONE FILL IN THE AREA UNDER THE BRIDGE, WHENEVER CHANNEL SLOPE INTERSECTS ROADWAY SUBBASE, GRUBBING MATERIAL SHALL BEGIN AT THE BOTTOM OF SUBBASE.

**TYPICAL CHANNEL SECTION**  
NOT TO SCALE

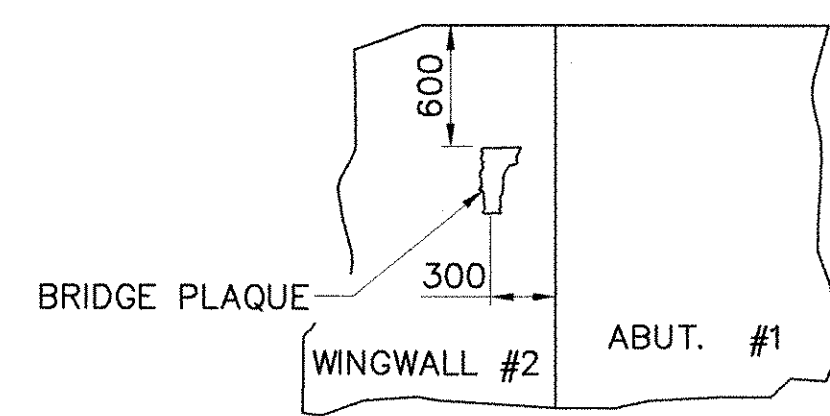
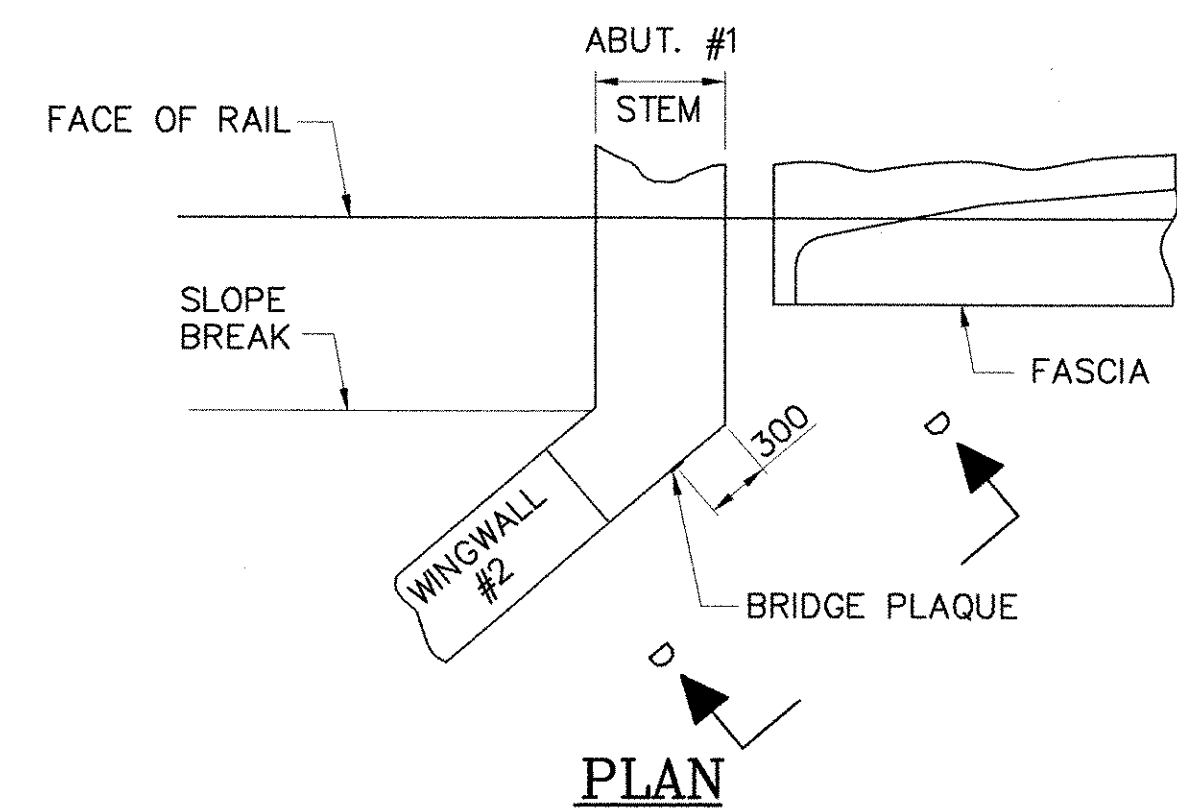


- NOTES:
1. COFFERDAM SIZE TO BE DETERMINED BY THE CONTRACTOR.
  2. THE PAY LIMITS OF "COFFERDAM EXCAVATION, EARTH" AND "COFFERDAM EXCAVATION, ROCK" SHALL BE 600 OUTSIDE THE PERIMETER OF THE FOOTING, UP TO EXISTING GROUND OR BOTTOM OF SUBBASE, WHICHEVER IS LOWER.
  3. 300 UNDERCUT AS DETERMINED NECESSARY BY THE RESIDENT ENGINEER.
  4. IF A COFFERDAM IS CONSTRUCTED WHICH IS LARGER THAN THE COFFERDAM EXCAVATION PAY LIMITS, PAYMENT FOR ALL UNCLASSIFIED CHANNEL EXCAVATION, INCLUDING THAT PORTION WHICH IS INSIDE THE COFFERDAM BUT OUTSIDE THE COFFERDAM EXCAVATION PAY LIMITS, WILL BE MADE AT THE CONTRACT UNIT PRICE FOR UNCLASSIFIED CHANNEL EXCAVATION.

**TYPICAL ABUTMENT SECTION**  
SCALE: 1:50

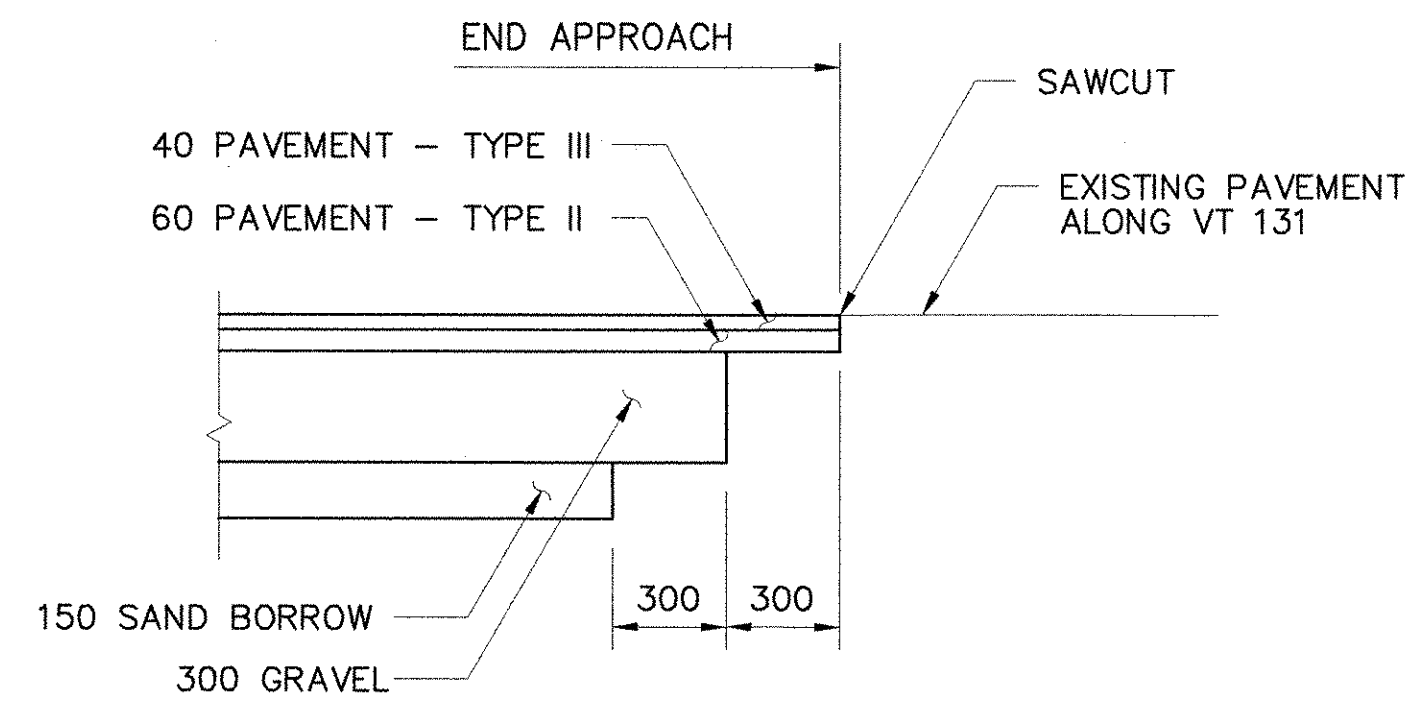


**SUBBASE TRANSITION DETAIL AT GRAVEL APPROACH**  
NOT TO SCALE



PLAQUE NOTE:  
THE BRIDGE PLAQUE WILL BE SUPPLIED BY THE AGENCY OF TRANSPORTATION AND SHALL BE INSTALLED BY THE CONTRACTOR AT ABUTMENT #1 AS SHOWN OR AS DIRECTED BY THE ENGINEER.

**LOCATE BRIDGE PLAQUE**  
N.T.S.



DATUM	
VERTICAL	NGVD 1927
HORIZONTAL	ASSUMED

<b>STATE OF VERMONT AGENCY OF TRANSPORTATION</b>			
Town Of	CAVENDISH	Bridge No.	45
Highway No.	TH 29	Log Sta.	
		Surv. Sta.	
TH 29 OVER BLACK RIVER			
<b>TYPICAL DETAILS</b>			
Designed By	S.M. GUNN	Drawn By	C.L. CILLEY
Checked By	Date	Bridge Design Supervisor	
S.M. HODGDON	5/06	C.D. BAKER	Date 5/06
PROJECT	CAVENDISH	PROJECT NO.	BRO 1442(23)
I.G.C. Info.			
Bridge Sheet No.	50499TIE	Sheet	9 of 47

VANASSE HANGEN BRUSTLIN, INC.