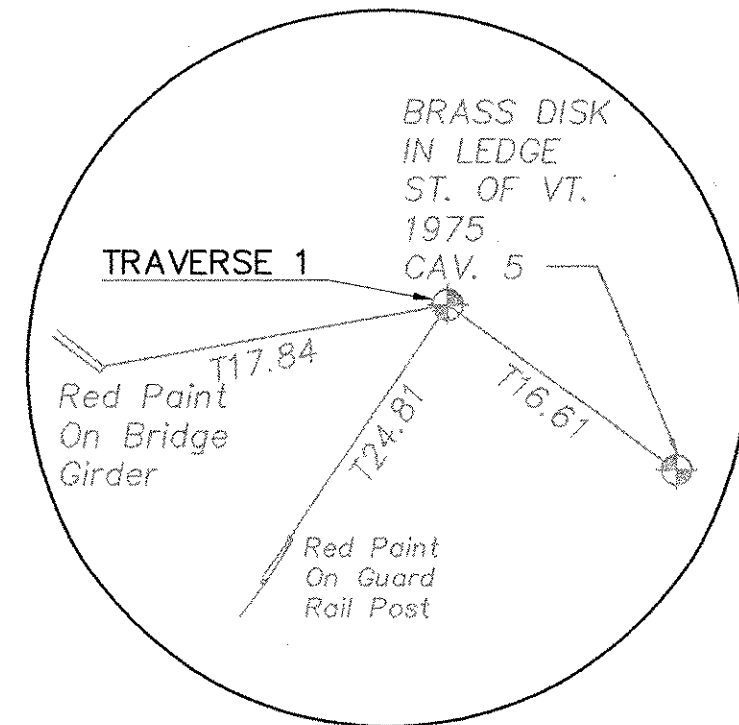
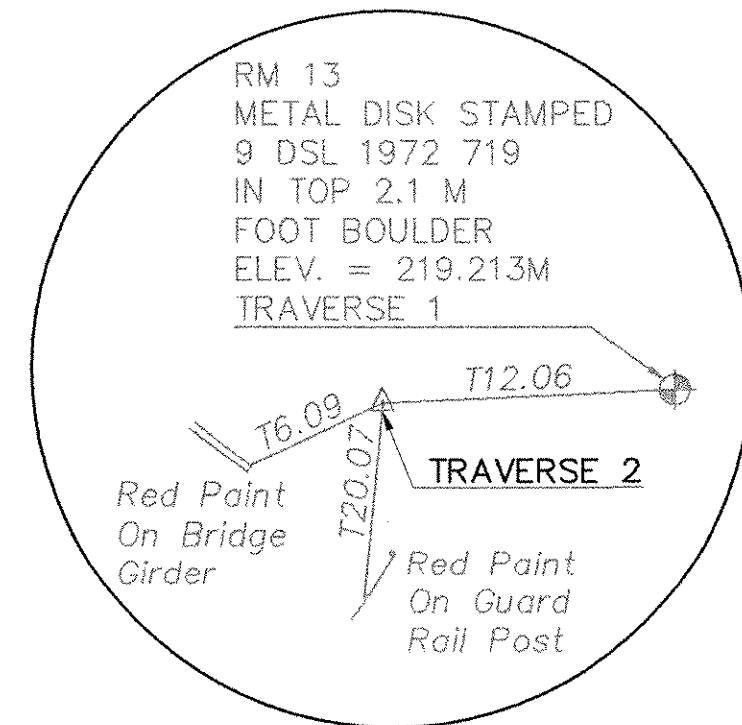


TRAVERSE TIES



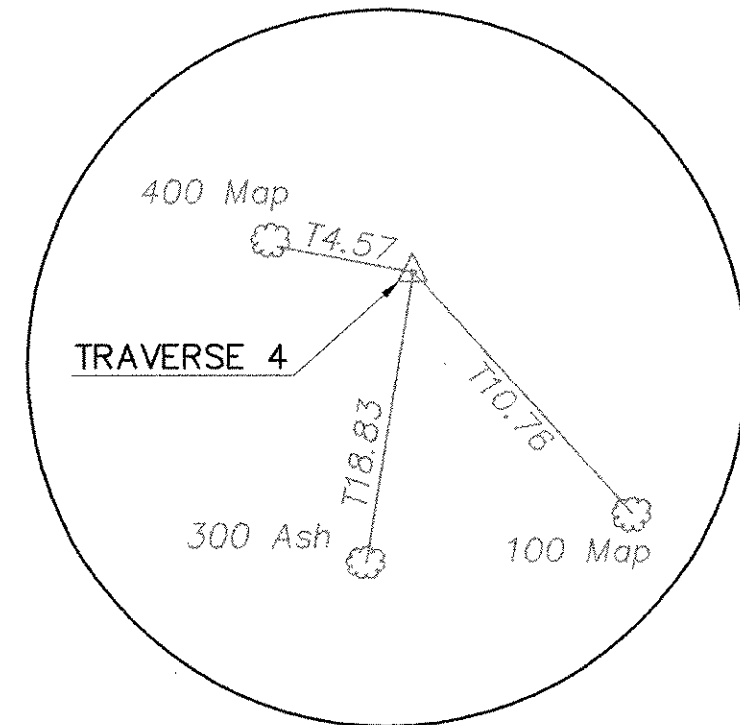
TRAVERSE #1
 NORTHING = 100000.000
 EASTING = 100000.000
 ELEVATION = 219.213

TRAVERSE #1
 NOT TO SCALE



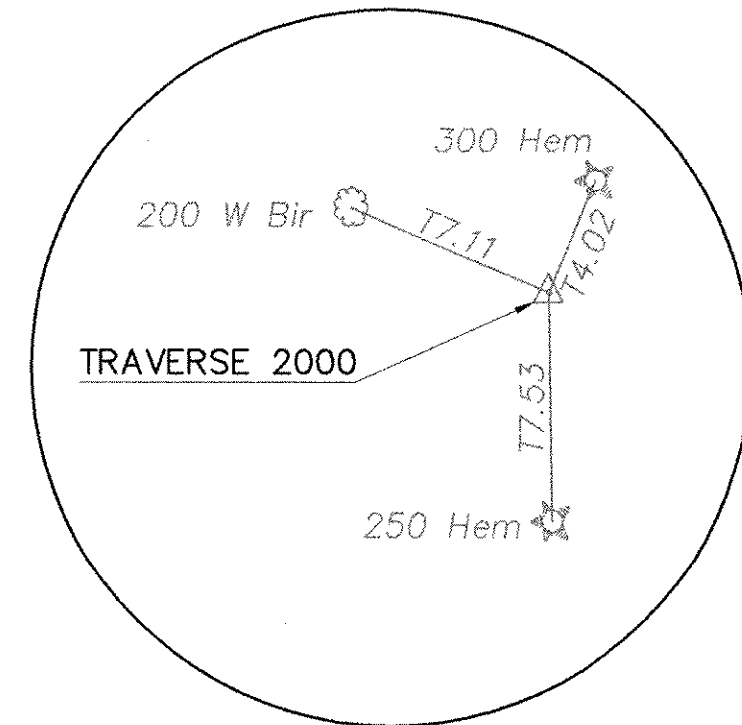
TRAVERSE #2
 NORTHING = 99987.953
 EASTING = 100000.526
 ELEVATION = 219.234

TRAVERSE #2
 NOT TO SCALE



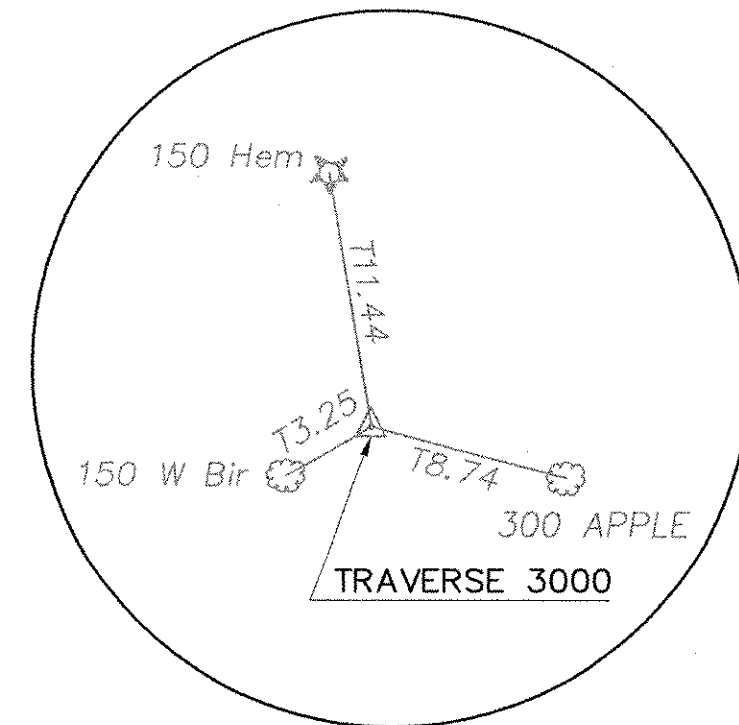
TRAVERSE #4
 NORTHING = 99937.979
 EASTING = 99990.555
 ELEVATION = 219.937

TRAVERSE #4
 NOT TO SCALE



TRAVERSE #2000
 NORTHING = 99962.299
 EASTING = 99957.416
 ELEVATION = 222.356

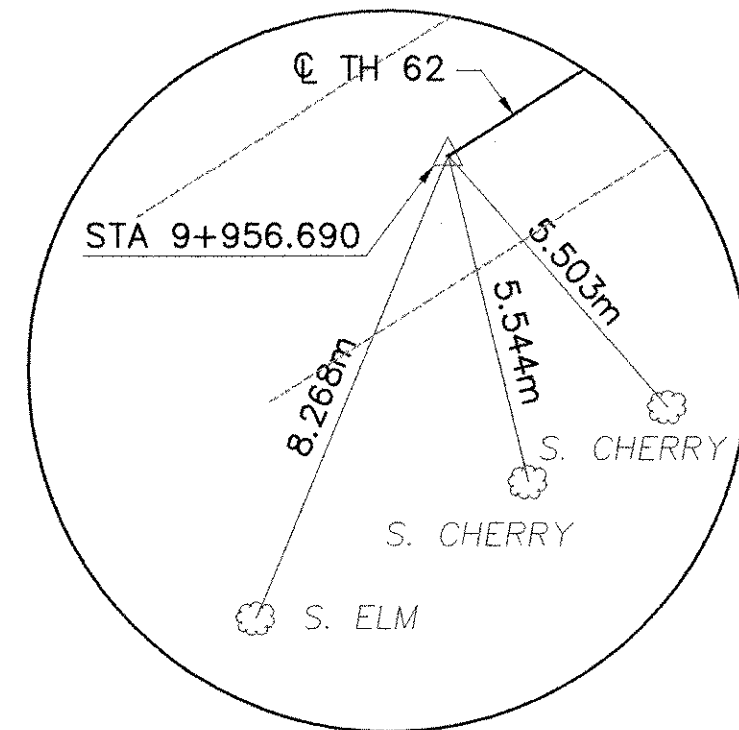
TRAVERSE #2000
 NOT TO SCALE



TRAVERSE #3000
 NORTHING = 99894.333
 EASTING = 99987.723
 ELEVATION = 225.966

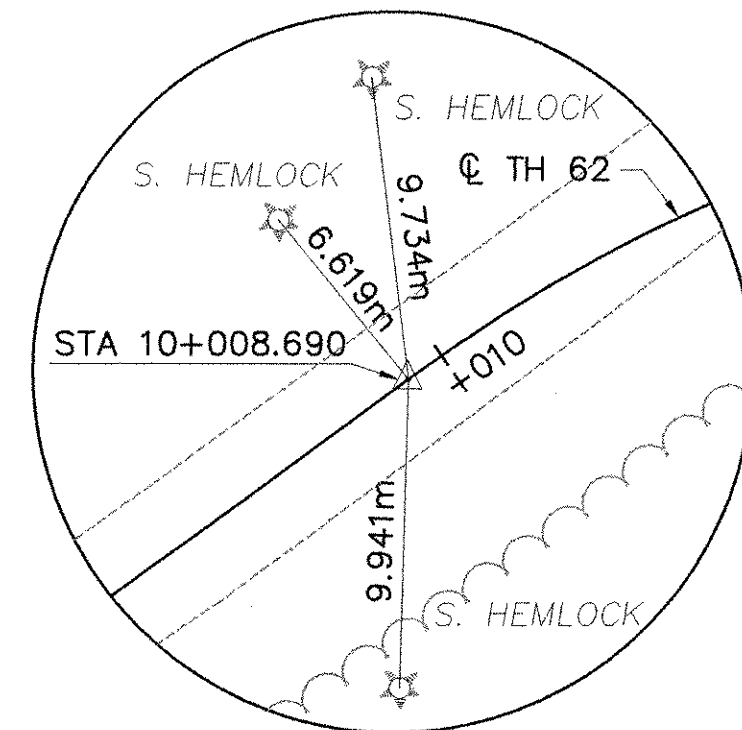
TRAVERSE #3000
 NOT TO SCALE

ALIGNMENT TIES



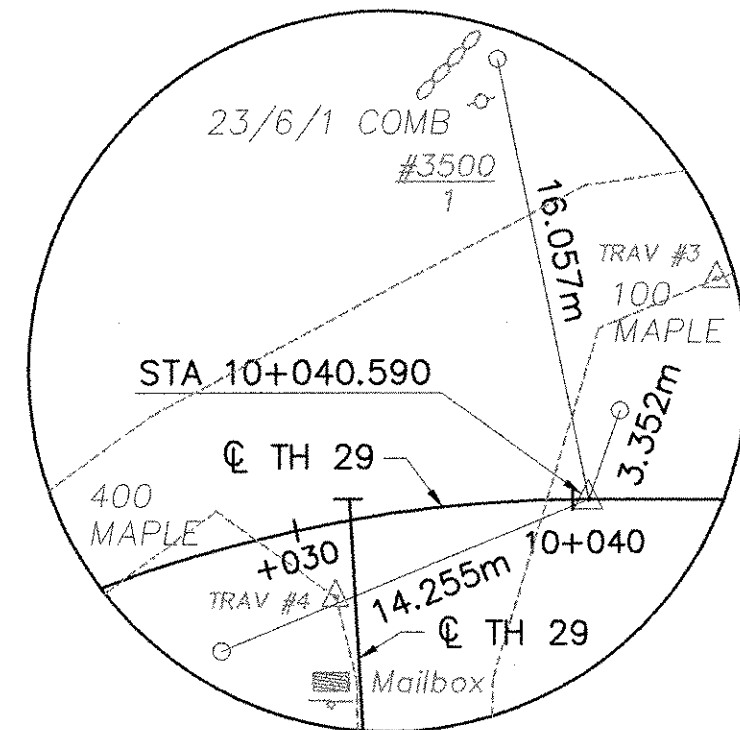
TH 62 PC
 PK SET
 NORTHING = 99865.6710
 EASTING = 99980.9150

STA 9+956.690
 NOT TO SCALE



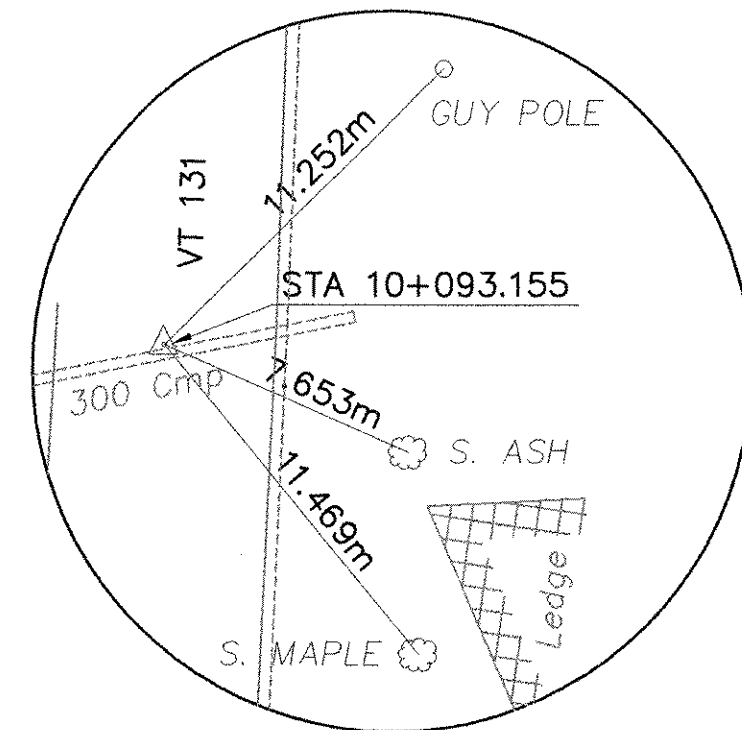
TH 62 PRC
 PK SET
 NORTHING = 99917.6050
 EASTING = 99983.2330

STA 10+008.690
 NOT TO SCALE



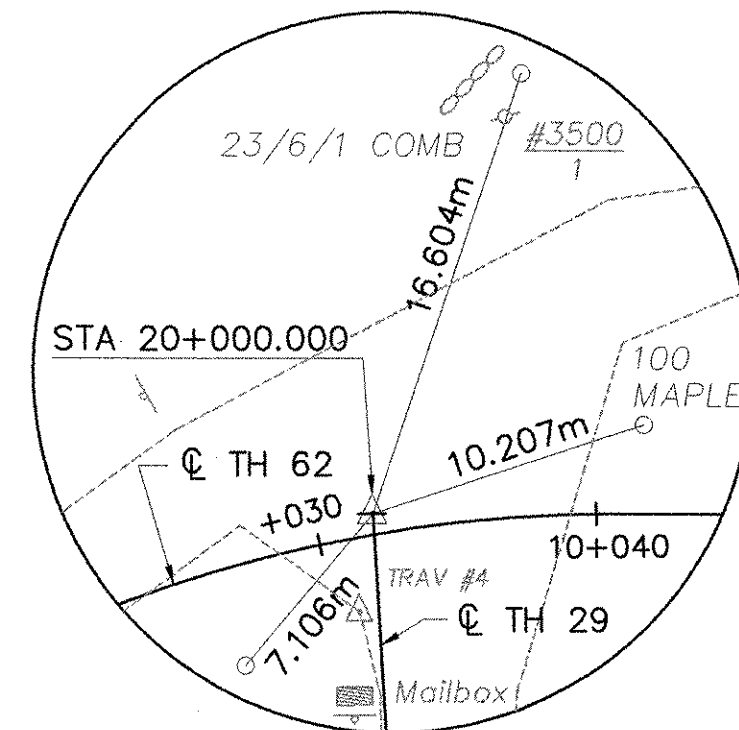
TH 29 PT
 PK SET
 NORTHING = 99947.3450
 EASTING = 99993.1870

STA 10+040.590
 NOT TO SCALE



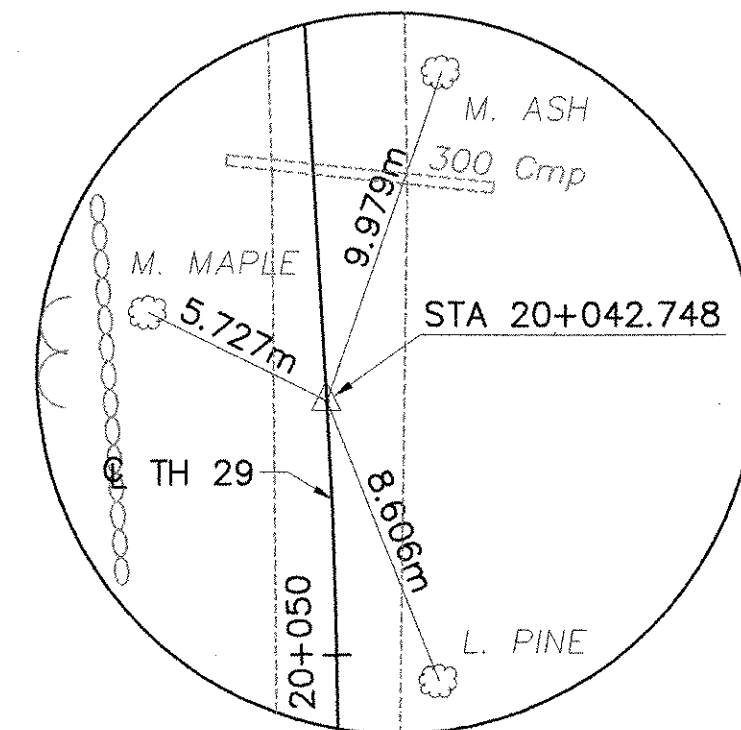
TH 29 POT
 PK SET
 NORTHING = 99989.4450
 EASTING = 100024.6620

STA 10+093.155
 NOT TO SCALE



TH 29 PT
 PK SET
 NORTHING = 99940.4650
 EASTING = 99988.0430

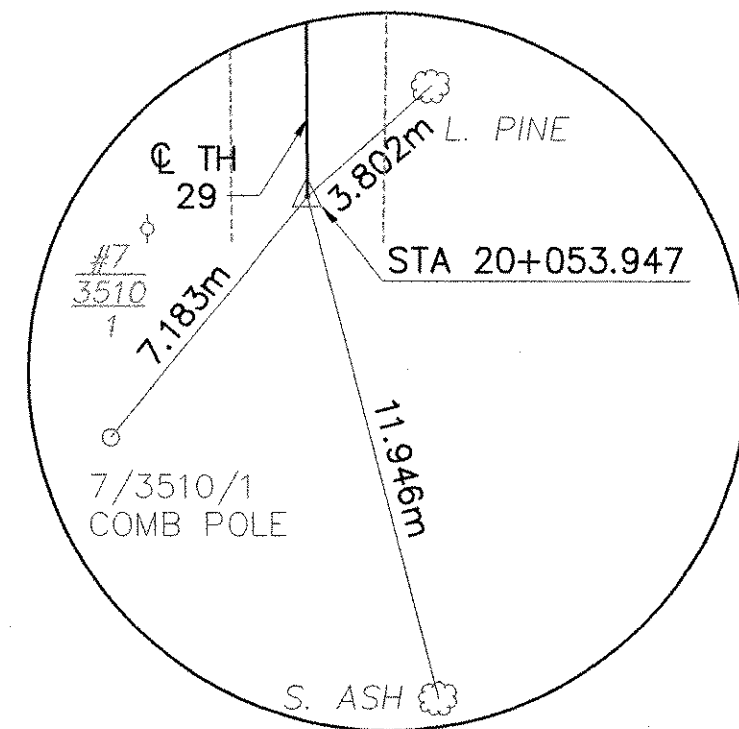
STA 20+000.000
 NOT TO SCALE



TH 29 PC
 PK SET
 NORTHING = 99916.9540
 EASTING = 100023.7460

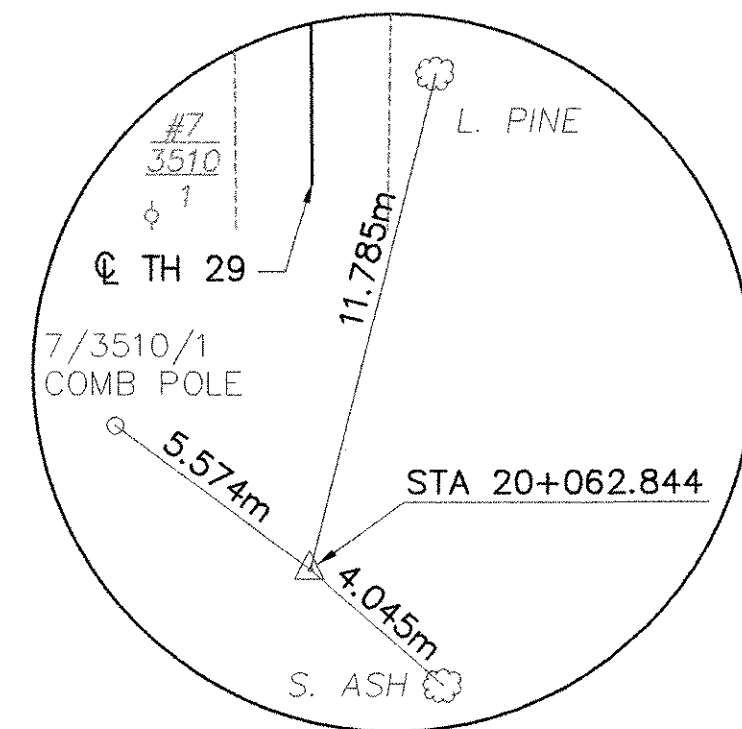
STA 20+042.748
 NOT TO SCALE

ALIGNMENT TIES



TH 29 PT
 PK SET
 NORTHING = 99910.5000
 EASTING = 100032.8950

STA 20+053.947
 NOT TO SCALE



TH 29 POT
 PK SET
 NORTHING = 99905.1420
 EASTING = 100039.9980

STA 20+062.844
 NOT TO SCALE

DATUM
 VERTICAL NGVD 1927
 HORIZONTAL ASSUMED

VANASSE HANGEN BRUSTLIN, INC.

STATE OF VERMONT
 AGENCY OF TRANSPORTATION

Town Of	CAVENDISH	Bridge No.	45
Highway No.	TH 29	Log Sta.	
		Surv. Sta.	

TH 29 OVER BLACK RIVER

TIE SHEET

Designed By	BRUNO/VTRANS	Drawn By	C.L. CILLEY
Checked By	S.M. HODGDON	Bridge Design Supervisor	C.D. BAKER
Date	5/06	Date	5/06

PROJECT	CAVENDISH	PROJECT NO.	BRO 1442(23)
---------	-----------	-------------	--------------

I.G.C. Info.	Bridge Sheet No. 50499TIE	Sheet	8 of 47
--------------	---------------------------	-------	---------