

**HEAVY DUTY STEEL BEAM GUARDRAIL**  
 STA. 100+046.5 LT. - 100+078.5 LT.  
 STA. 100+063.0 RT. - 100+078.5 RT.  
 STA. 100+109.8 LT. - 100+128.5 LT.  
 STA. 100+109.8 RT. - 100+125.3 RT.

**ANCHOR FOR STEEL BEAM RAIL**  
 STA. 100+048.5 LT.  
 STA. 100+065.0 RT.  
 STA. 100+126.5 LT.  
 STA. 100+123.3 RT.

**CONSTRUCT DRIVE**  
 STA. 100+052 RT.  
 STA. 100+135 LT.  
 STA. 100+150 RT.  
 STA. 100+045 LT.

**CONSTRUCT BITUMINOUS CONCRETE SIDEWALK**  
 STA. 100+047.0 LT. - 100+079.0 LT.  
 STA. 100+109.8 LT. - 100+130.0 LT.

**DURABLE 100 mm YELLOW LINE (DOUBLE CENTER LINE)**  
 STA. 100+010.0 - STA. 100+060.0  
 STA. 100+125.0 - STA. 100+185.0

**DURABLE 100 mm WHITE LINE**  
 STA. 100+010.0 - STA. 100+185.0, LT. & RT.

**COLD PLANING BITUMINOUS CONCRETE PAVEMENT**  
 STA. 100+010.0 - STA. 100+030.0  
 STA. 100+165.0 - STA. 100+185.0

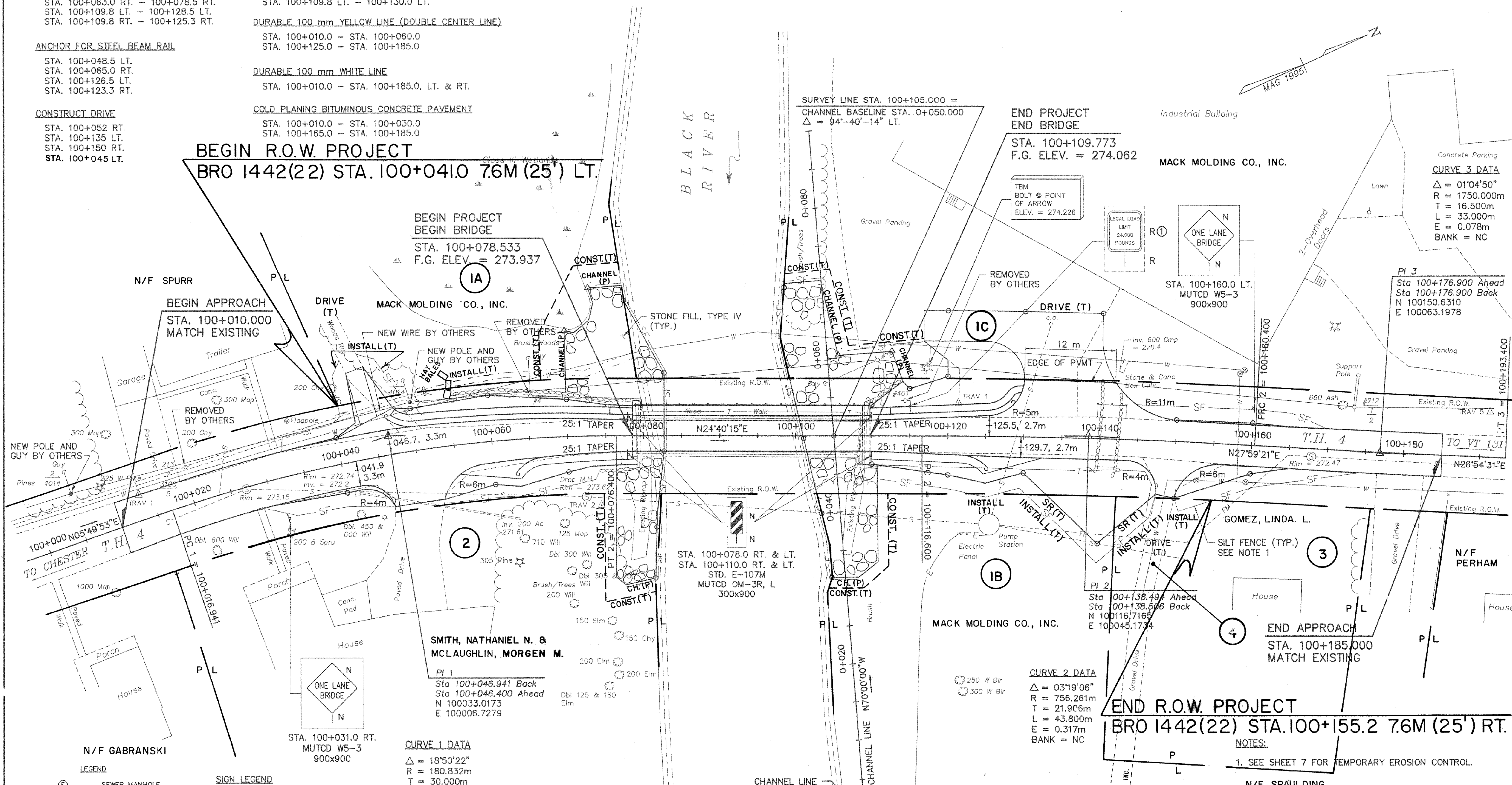
**BEGIN R.O.W. PROJECT**  
**BRO 1442(22) STA. 100+041.0 76M (25') LT.**

**BEGIN PROJECT**  
**STA. 100+078.533**  
**F.G. ELEV. = 273.937**

**SURVEY LINE STA. 100+105.000 =**  
**CHANNEL BASELINE STA. 0+050.000**  
**Δ = 94°-40'-14" LT.**

**END PROJECT**  
**END BRIDGE**  
**STA. 100+109.773**  
**F.G. ELEV. = 274.062**

**CURVE 3 DATA**  
 Δ = 01°04'50"  
 R = 1750.000m  
 T = 16.500m  
 L = 33.000m  
 E = 0.078m  
 BANK = NC



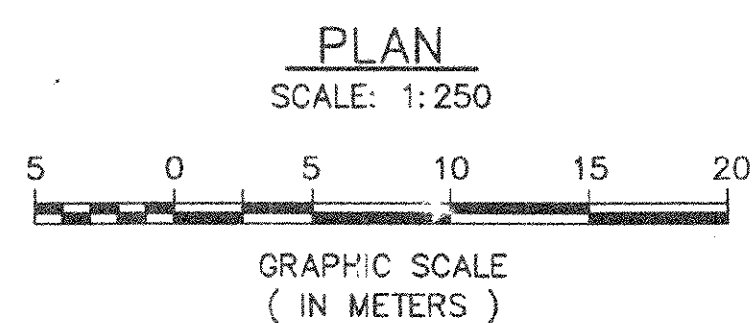
**N/F GABRANSKI**

- LEGEND**
- ⊙ SEWER MANHOLE
  - S — SEWER LINE
  - FM — SEWER FORCED MAIN
  - W — WATER LINE
  - ⊕ WATER VALVE
  - ⊕ HYDRANT
  - T — UNDERGROUND TELEPHONE LINE
  - ⊙ SEWER CLEANOUT
  - E — ELECTRICAL LINE
  - S — STORM DRAIN
  - STONE BOUND
  - ⊕ WETLAND
  - ⊕ LIGHT POLE

- SIGN LEGEND**
- N = NEW
  - R = REMOVE
  - RET. = RETAIN
  - R&S = REMOVE & SALVAGE
  - ① = RETURN TO TOWN OF CAVENDISH

**CURVE 1 DATA**  
 Δ = 18°50'22"  
 R = 180.832m  
 T = 30.000m  
 L = 59.459m  
 E = 2.472m  
 BANK = NC

**SEE ROW SHEET 6 OF 8**  
**FOR EROSION CONTROL**  
**DETAILS**



**LINES SHOWN ON THIS PLAN AS EXISTING**  
**PROPERTY LINES (P/L) ARE BELIEVED TO**  
**BE ACCURATE BUT SHOULD NOT BE RELIED**  
**UPON FOR PURPOSES UNRELATED TO THE**  
**TOWN OF CAVENDISH'S ACQUISITION OF**  
**LAND AND RIGHTS FOR THIS PROJECT.**

**END R.O.W. PROJECT**  
**BRO 1442(22) STA. 100+155.2 76M (25') RT.**

- NOTES:**
- SEE SHEET 7 FOR TEMPORARY EROSION CONTROL.

<b>STATE OF VERMONT</b>	
<b>AGENCY OF TRANSPORTATION</b>	
Town Of <b>CAVENDISH</b>	Bridge No. <b>12</b>
Highway No. <b>T.H. 4</b>	Log Sta.
<b>T.H. 4 OVER BLACK RIVER</b>	
<b>PLAN SHEET</b>	
Designed By <b>R.F. CLARK</b>	Drawn By <b>R.F. CLARK</b>
Checked By <b>Date</b>	Bridge Design Supervisor <b>Date</b>
PROJECT <b>CAVENDISH</b>	PROJECT NO. <b>BHO 1442 (22)</b>
I.G.C. Info.	
<b>ROW SHEET 8 OF 8</b>	<b>SHEET 5 OF 34</b>

VANASSE HANGEN BRUSTLIN, INC.