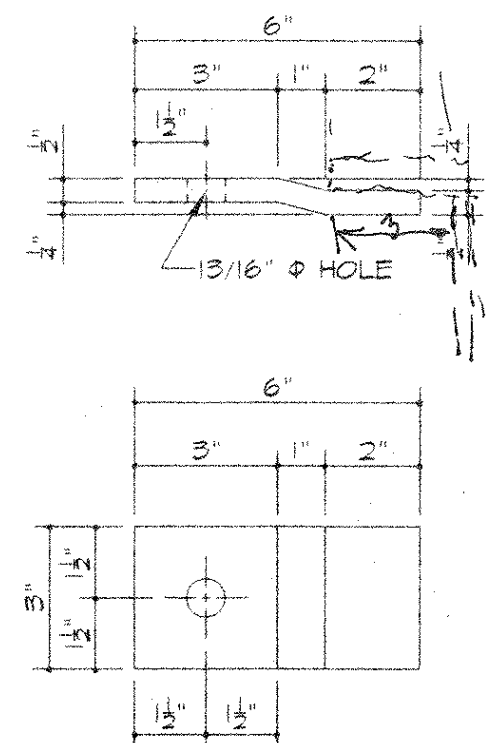


THE ORIGINAL PRODUCTION OF THIS DOCUMENT IS IN THE COMPUTERIZED FILES OF LOPEZ ENGINEERING. A REPRODUCIBLE DOCUMENT GENERATED ON VELLUM OR MYLAR FILM IS ALSO STORED IN THE COMPANY FILES. ALL COMPUTER GENERATED INFORMATION, VELLUMS AND MYLARS ARE THE PROPERTY OF LOPEZ ENGINEERING. ALL DOCUMENTS ARE SUBMITTED ON THE CONDITION THAT THEY ARE NOT TO BE USED, REPRODUCED, OR COPIED IN WHOLE OR IN PART, WITHOUT THE PRIOR WRITTEN CONSENT OF LOPEZ ENGINEERING. ALL PARTIES WHO USE OR RELY UPON ANY SUBSEQUENT REPRODUCTIONS AGREE THAT LOPEZ ENGINEERING SHALL NOT BE RESPONSIBLE OR LIABLE FOR ANY ALTERATIONS, ADDITIONS OR DELETIONS THERETO. DRAWINGS ARE MOST RELIABLE WHEN ACCOMPANIED WITH THE ORIGINAL SEAL AND SIGNATURE OF THE LICENSED PROFESSIONAL SUPERVISING THIS PROJECT. ALL COMMON LAW RIGHTS OF COPYRIGHT AND OTHERWISE ARE HEREBY SPECIFICALLY RESERVED.

CONSTRUCTION CONTRACTOR AGREES THAT IN ACCORDANCE WITH GENERALLY ACCEPTED CONSTRUCTION PRACTICES, CONSTRUCTION CONTRACTOR WILL BE REQUIRED TO ASSUME SOLE AND COMPLETE RESPONSIBILITY FOR JOB SITE CONDITIONS DURING THE COURSE OF CONSTRUCTION OF THIS PROJECT, INCLUDING SAFETY OF ALL PERSONS AND PROPERTY, THAT THIS REQUIREMENT SHALL BE MADE TO APPLY CONTINUOUSLY AND NOT BE LIMITED TO NORMAL WORKING HOURS, AND CONSTRUCTION CONTRACTOR FURTHER AGREES TO DEFEND, INDEMNIFY AND HOLD DESIGN PROFESSIONAL HARMLESS FROM ANY AND ALL LIABILITY, REAL OR ALLEGED, IN CONNECTION WITH THE PERFORMANCE OF WORK ON THIS PROJECT EXCEPTING LIABILITY ARISING FROM THE SOLE NEGLIGENCE OF THE DESIGN PROFESSIONAL.



Steel Clips (200 ea) - Galvanized

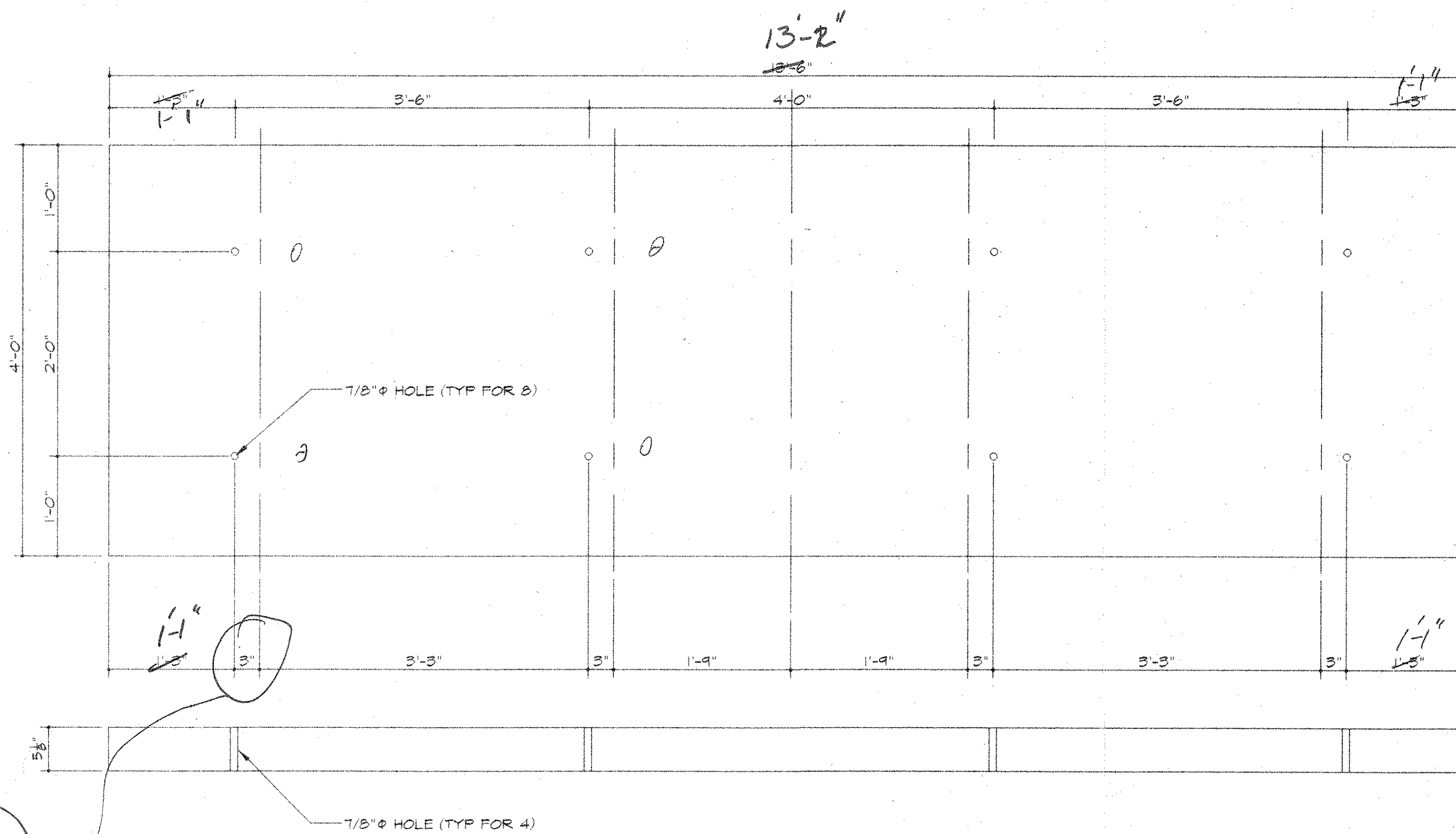
Scale: 3" = 1'-0"

3/4" x 8" DOME HEAD DEAD BOLT (GALV)

As per
AA#470
M11M/M11

11-904
This dimension should have been 5 1/2" to 6". Hole is now over the flange.

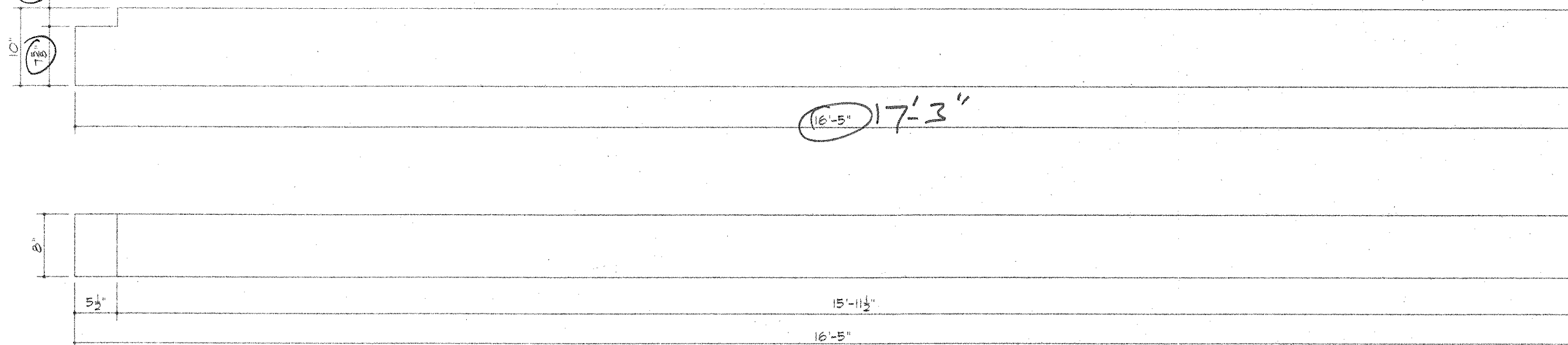
3/8" x 3/8" was correct
talked w/ fabricator on 4-20-04



(25) Deck Panels

Scale: 1" = 1'-0"

DOUGLAS FIR GLULAM DECK PANEL
2400 Fb, TREATED PENTA PER
AWPA C-28



Sidewalk Stringers

Scale: 1" = 1'-0"

13 - 8x10 - 16'-5"
6 - 8x10 - 17'-3"
Make (6) with notch
Make (13) without notch

DOUGLAS FIR #1 GRADE S4S
TREATED PENTA 0.60

STRUCTURES
COPY

RECEIVED
OK'D BY RRW OK'D BY _____
APR 19 2004
RESUBMIT _____ APPROVED As Noted
BY RRW DATE 4/20/04

Lopez Engineering STRUCTURAL CONSULTING
1400 E. Davisburg Road
Suite 301
Holly, MI 48442
(248) 634-0444 - Phone
(248) 634-6646 - Facsimile

Michael C. Miles, P.E.
License No. 46159

SHEET TITLE:
Shop Drawing

Black River Bridge
Cavendish, Vermont
Designed For: Art Thureson, Inc.
Drawn By: M.S.K. Checked By: M.S.K.

DATE
April 9, 2004
REVISED

JOB NO.
04-0175

SHEET NO.
S-1

of 1

055