

| AEM INFO | | SHOP BILL | | | JOB NO. | DRG. NO. |
|----------|------|-----------|------------------|-----|---------|-----------------------|
| PAGE | LINE | NO. | DESCRIPTION | QTY | REMARKS | WEIGHT |
| 8 | | | PLATE ASSEMBLIES | | AZ | |
| 16 | | | R25X57 | 162 | AZA | |
| 8 | | | 10mm HEX | 113 | HBI | |
| 8 | | | 129mm STEEL PIPE | 50 | M1 | |
| 8 | | | PLATE ASSEMBLIES | | BZ | |
| 16 | | | R25X57 | 124 | BZA | |
| 8 | | | HEX BOLT | | HBI | |
| 8 | | | STEEL PIPE | | M1 | |
| 4 | | | PLATE ASSEMBLIES | | CZ | |
| 8 | | | R25X57 | 162 | CZA | |
| 4 | | | HEX BOLT | | HBI | |
| 4 | | | STEEL PIPE | | M1 | |
| 4 | | | PLATE ASSEMBLIES | | DZ | |
| 8 | | | R25X57 | 124 | DZA | |
| 4 | | | HEX BOLT | | HBI | |
| 4 | | | STEEL PIPE | | M1 | |
| 10 | | | 70mm PINS | 172 | EZ | W/2-NUTS |
| 10 | | | do | 194 | FZ | do |
| 4 | | | do | 200 | HZ | do |
| 2 | | | R279x210 | 394 | | USE EXIST AS TEMPLATE |

PAY ITEM 506.60

| | | | | | | | | | |
|------------------|---------|--|--|--|--|--|--|--|--|
| OUT FOR APPROVAL | 4-20-04 | | | | | | | | |
| ISSUED TO SHOP | | | | | | | | | |
| FIELD & OFFICE | | | | | | | | | |

| REV. | REMARKS | DATE | DNW | CHK | APP | Q.A. | NO. | DIA. | LGT | TYPE | WASHER |
|------|--|------|-----|-----|-----|------|-----|------|-----|------|--------|
| | PROJECT NO. BHO 1442 (22) STATE PROJECT NO. BHO 1442 (22) | | | | | | | | | | |
| | MATERIAL: 602250 4H ELECTRODES: 214/1 HOLES: 214/1 SHOP BOLTS: | | | | | | | | | | |

SURFACE PREP. & PAINT:
 Prep: SSPC - SP10
 Paint: 3-Coat System C
 Primer: Wasser - MC Zinc
 Intermediate: Wasser - MC Ferrox B
 Topcoat: Wasser - MC Luster Color - Green Federal Color Standard No. 595, Color Chip No 14062

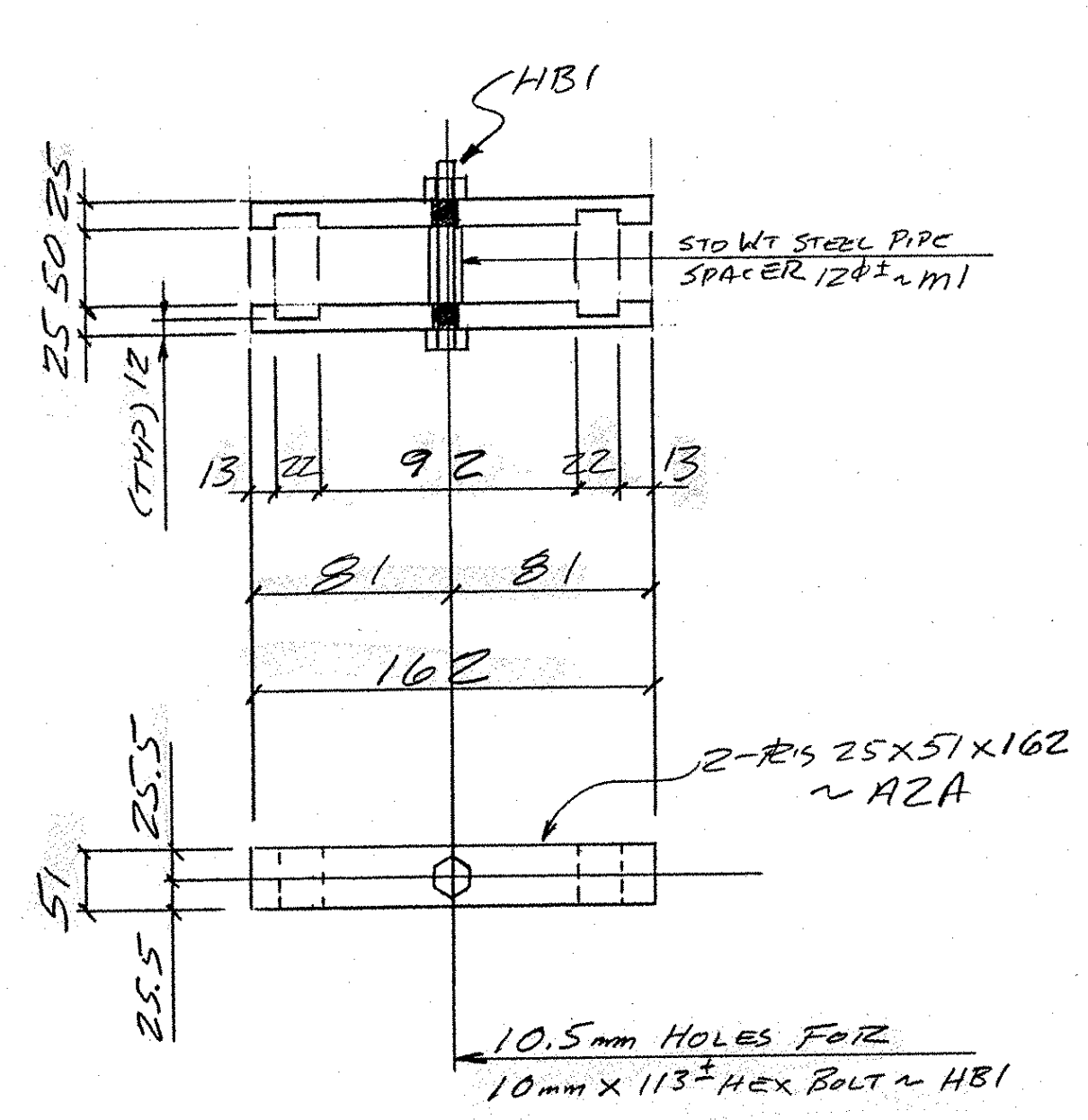
| | | |
|--|-----------|------|
| DESCRIPTION: SPACER + PINS + BOTTOM CHORD HANGER PLATE | DRAWN BY | DATE |
| JOB: TH 4 OVER BLACK RIVER | RLB | 4-04 |
| BRIOBE PROJECT | CHKD BY | |
| CAVENDISH, VT | APPROV BY | |
| | Q.A. | |

CUSTOMER: MILLER CONSTRUCTION
CASCO BAY STEEL STRUCTURES, INC.
 75 SPRING HILL ROAD SACO, MAINE 04072
 PHONE (207) 282-7360 FAX. (207) 282-1179

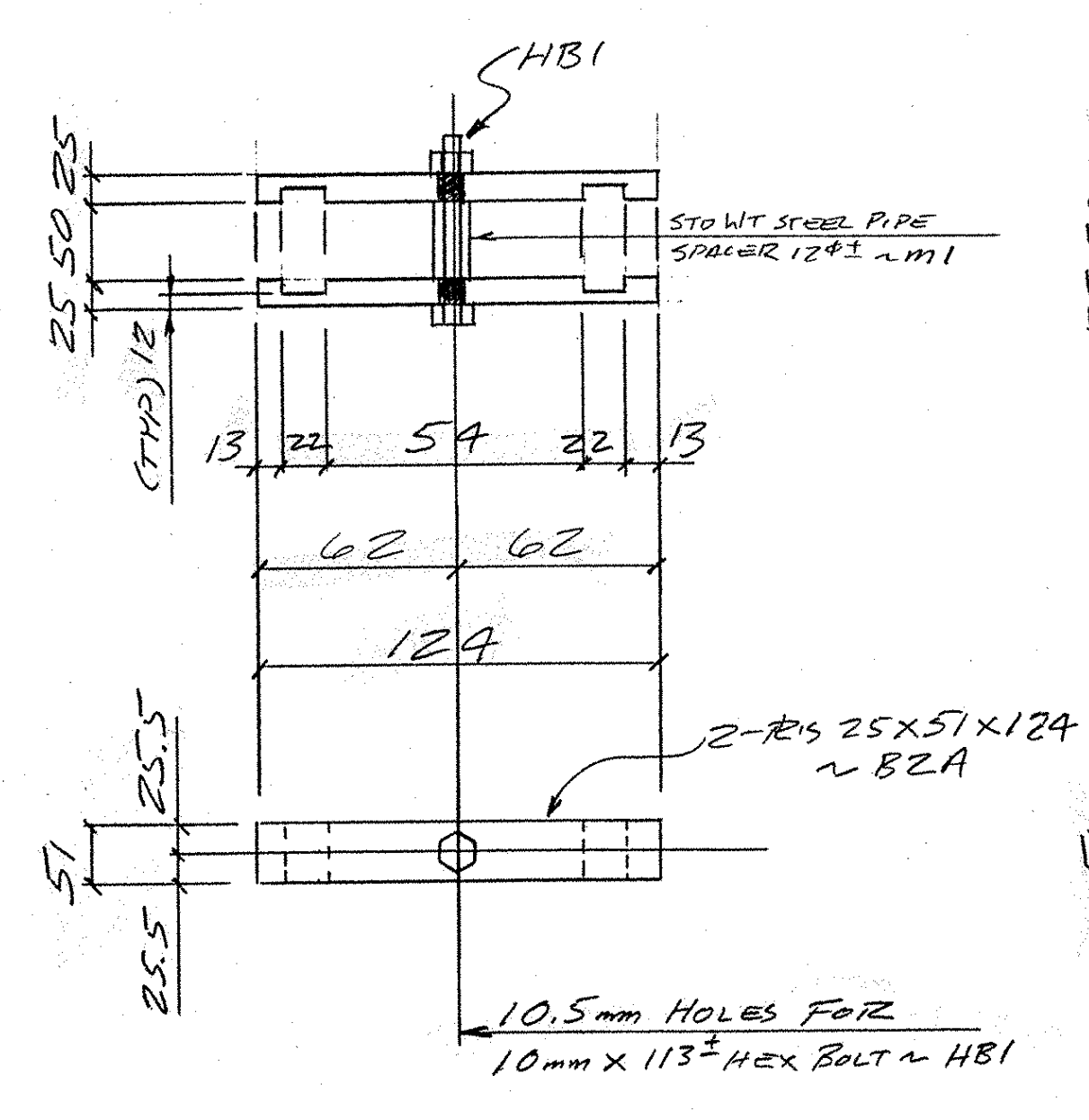
| | |
|---------|----------|
| JOB NO. | DRG. NO. |
| 236 | 2 |
| REV. | |
| | |

PLANS DRAWN USING
METRIC DIMENSIONS

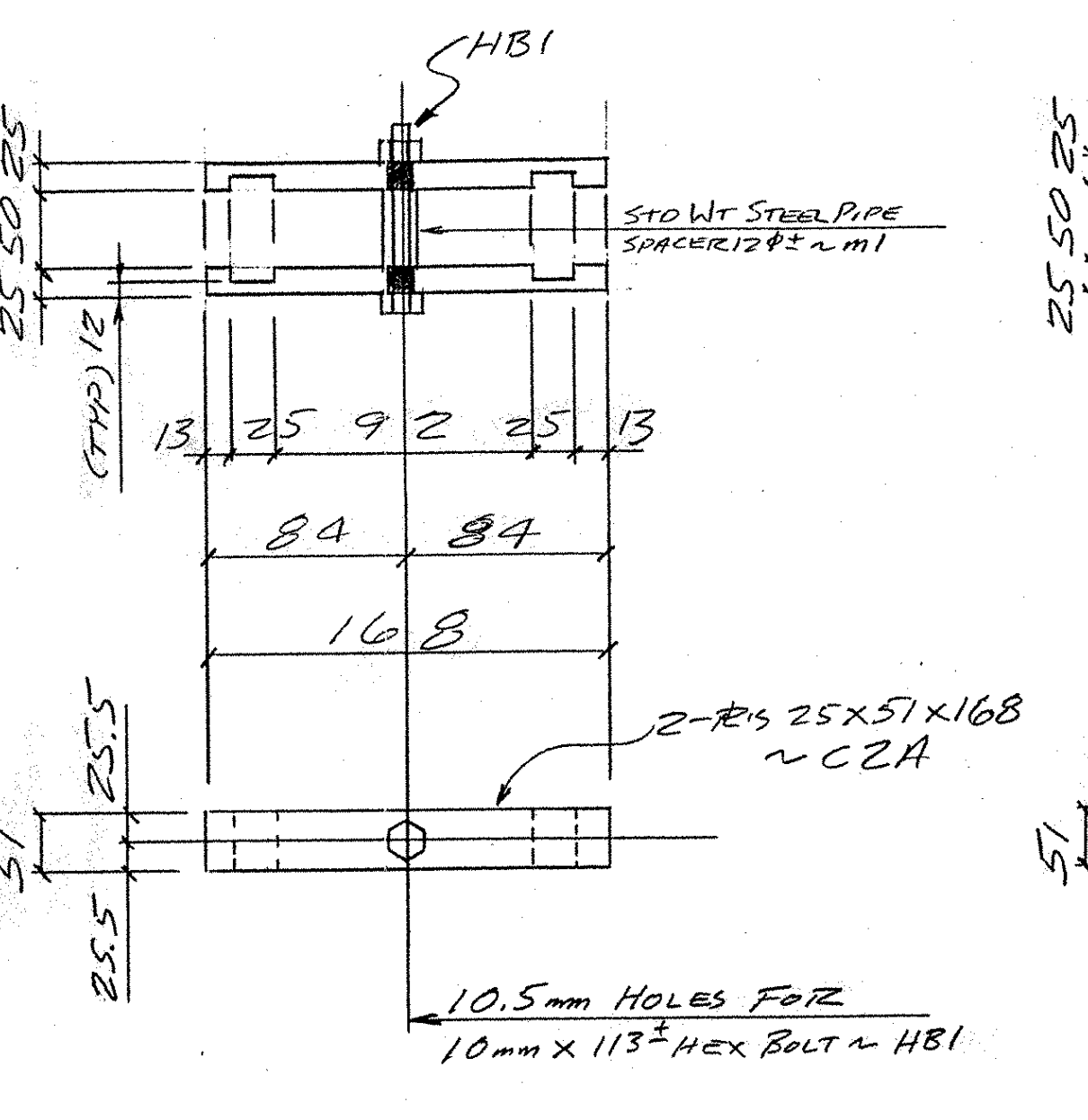
RECEIVED
 OK'D BY: JWP
 APR 27 2004
 RESUBMIT APPROVED
 BY: RHW DATE: 5-5-04
 05055



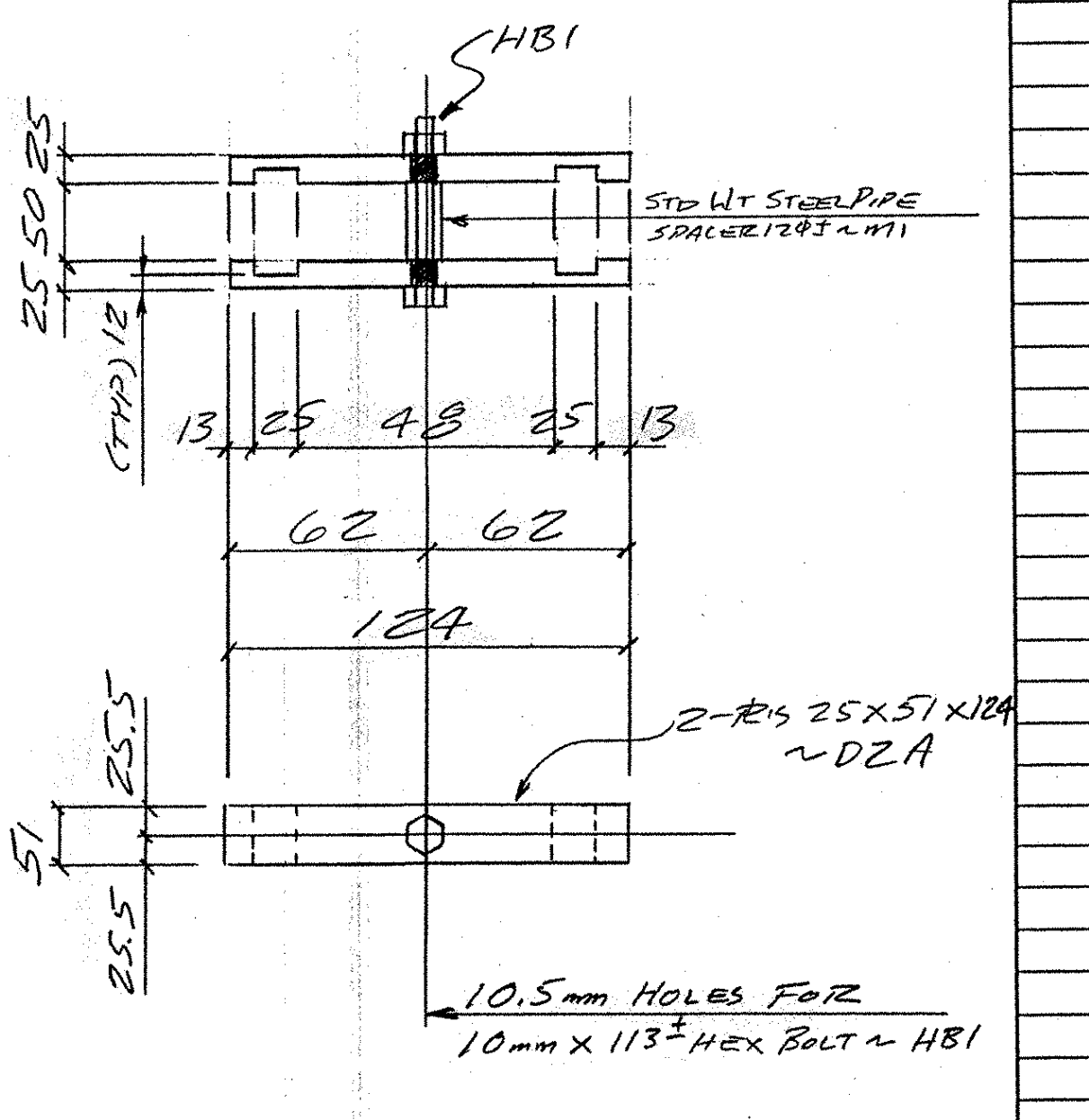
8 - PLATE ASSEMBLIES - A2



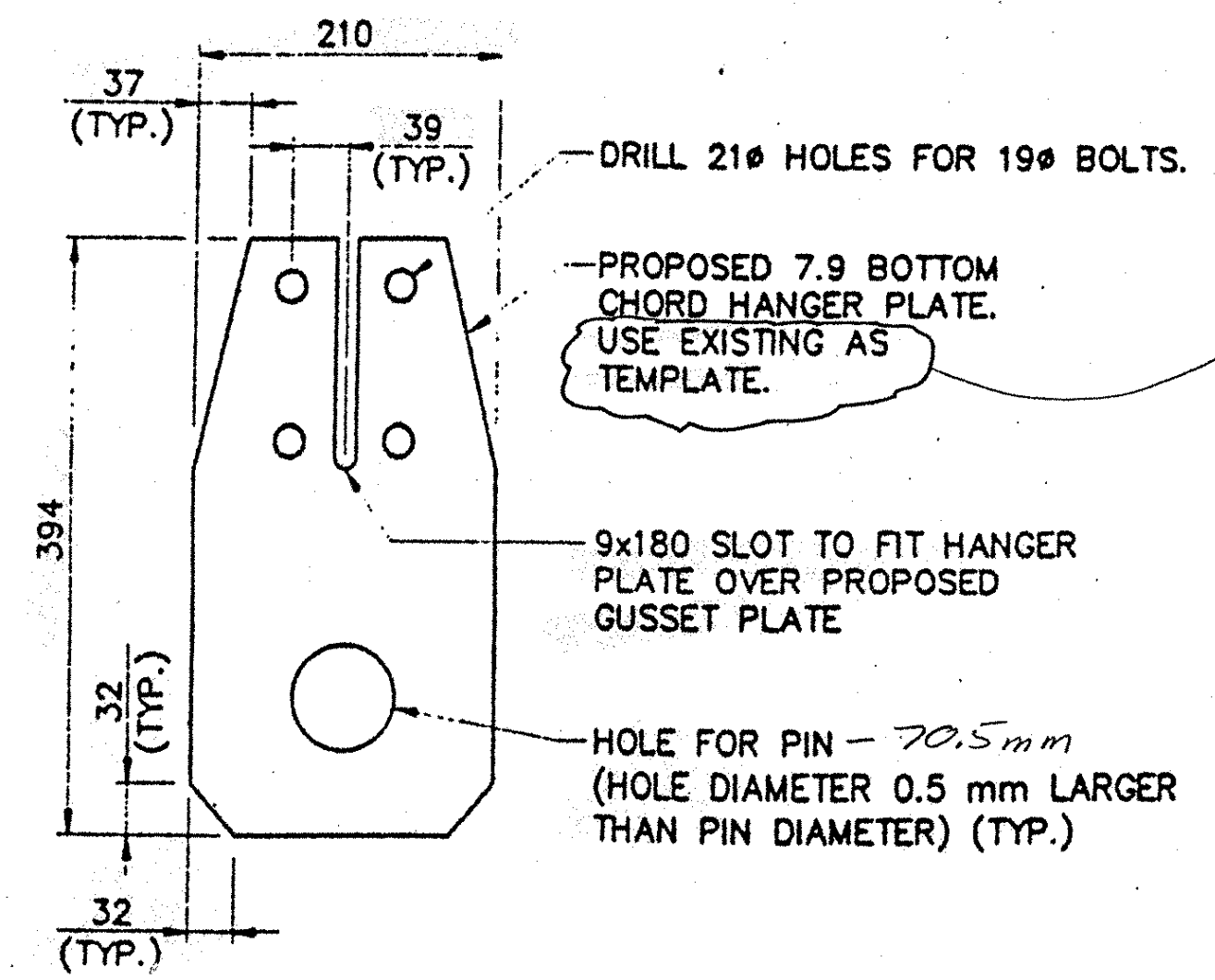
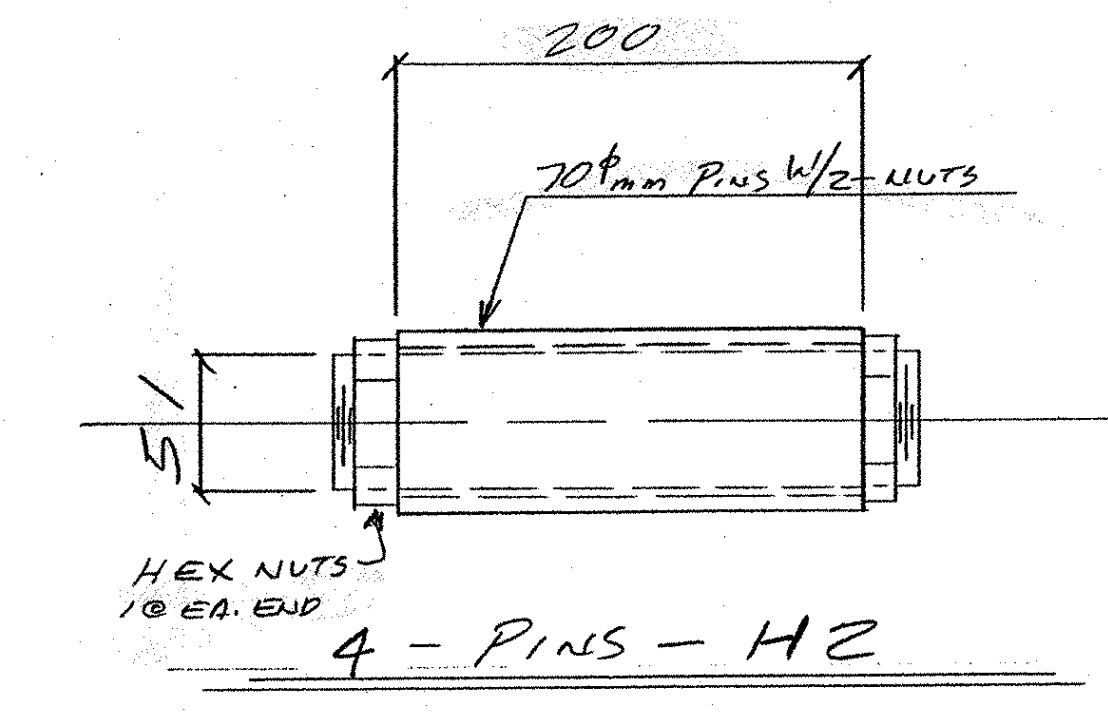
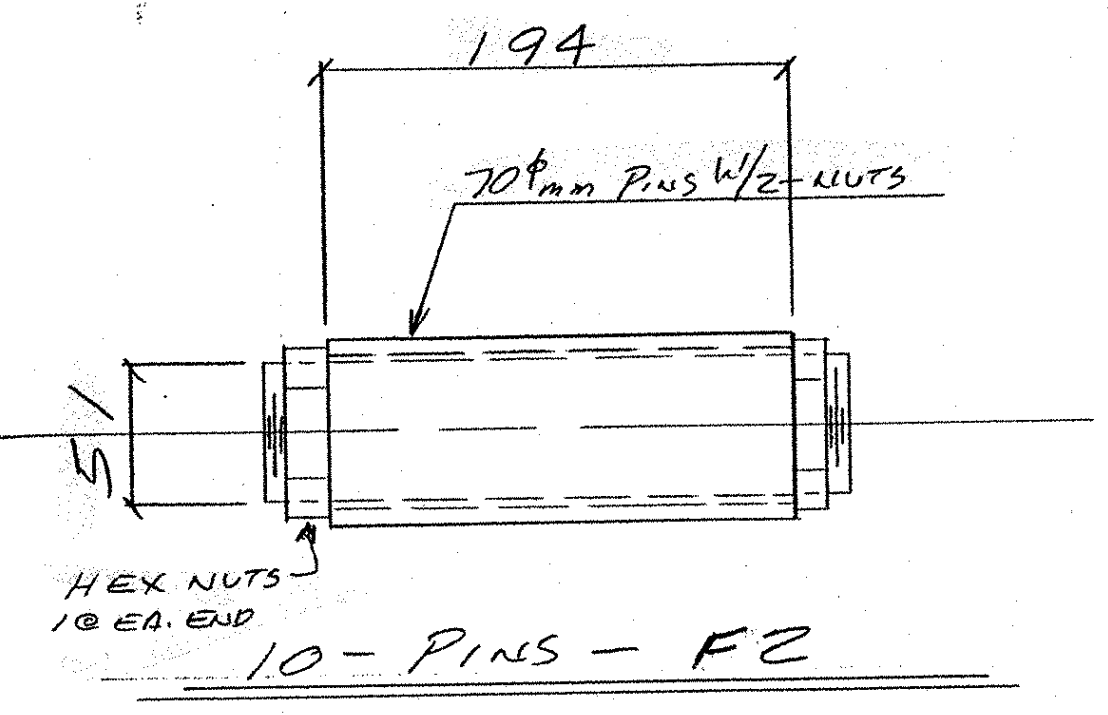
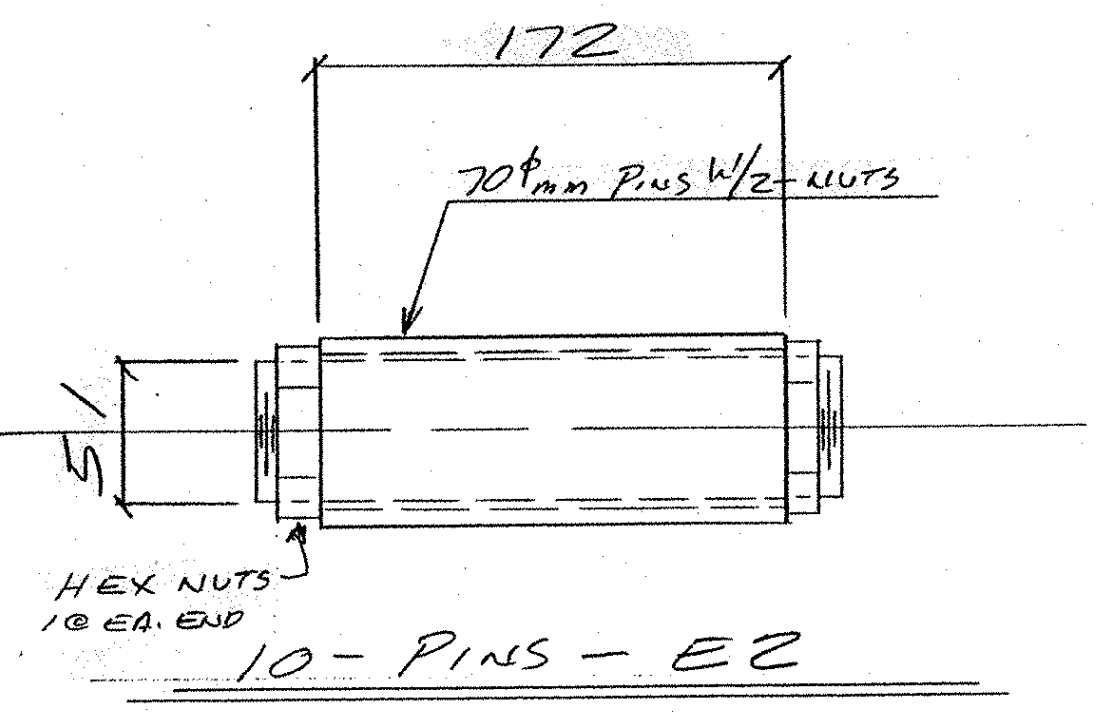
8 - PLATE ASSEMBLIES - B2



4 - PLATE ASSEMBLIES - C2



4 - PLATE ASSEMBLIES - D2



NEW BOTTOM CHORD HANGER PLATE DETAIL

2 - PLATES REQ'D - K2

SHOP NOTE