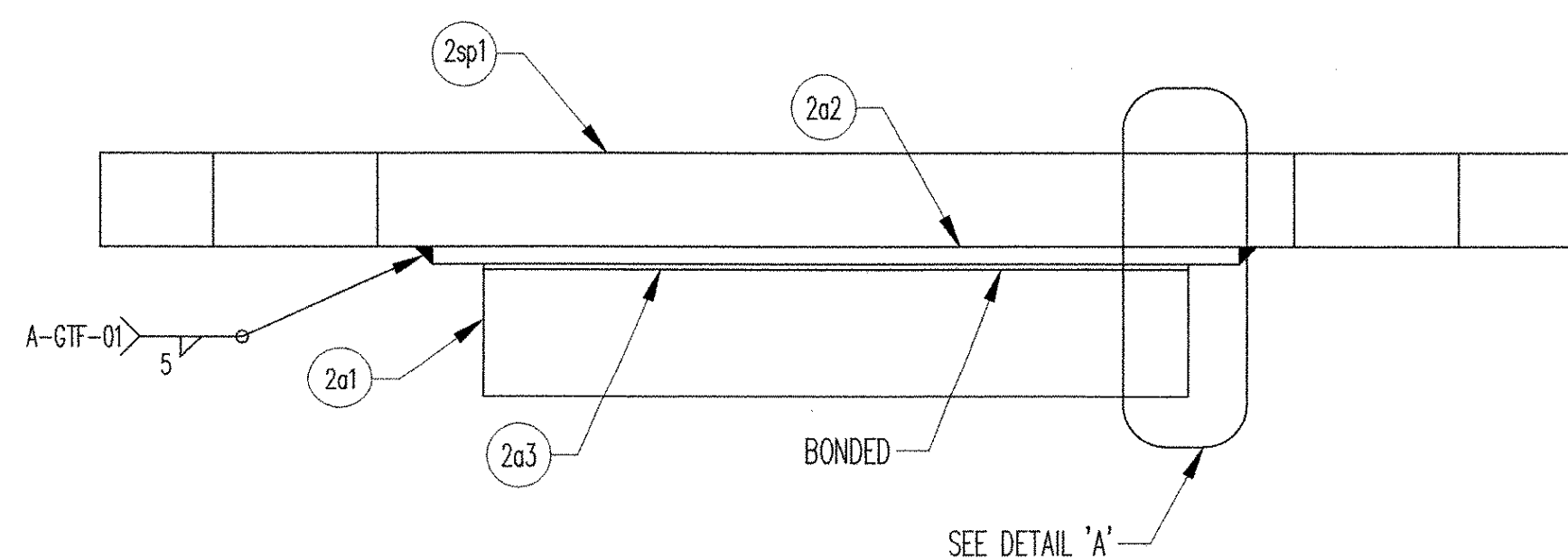


PLAN VIEW  
EXPANSION PREFORMED FABRIC BEARING  
(4) REQ'D @ ABUT. 2, STRINGER

LOAD TABLE INFORMATION

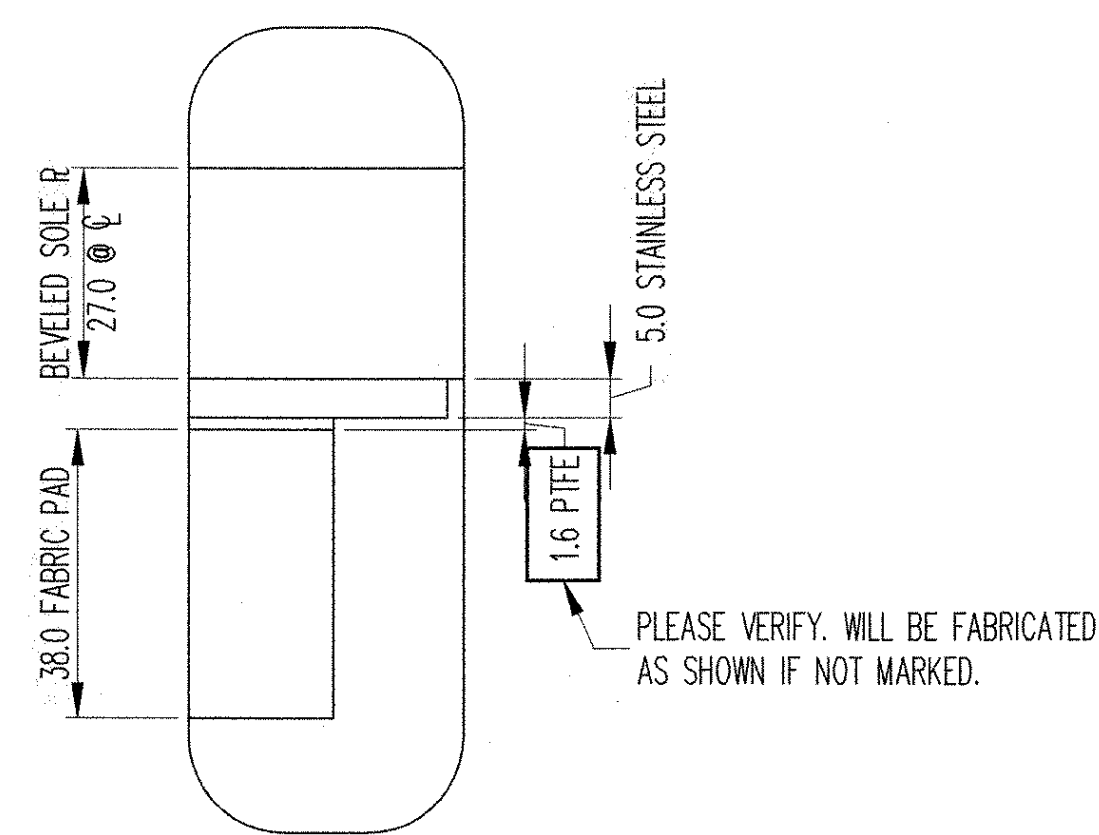
LOAD DATA	
MAX DL + SDL REACTION (KIPS)	2.07
MAX LL (W/O I) REACTION (KIPS)	6.95
MAX DL+SDL+LL REACTION (KIPS)	9.02

PLEASE PROVIDE. WILL BE NEEDED FOR TESTING.

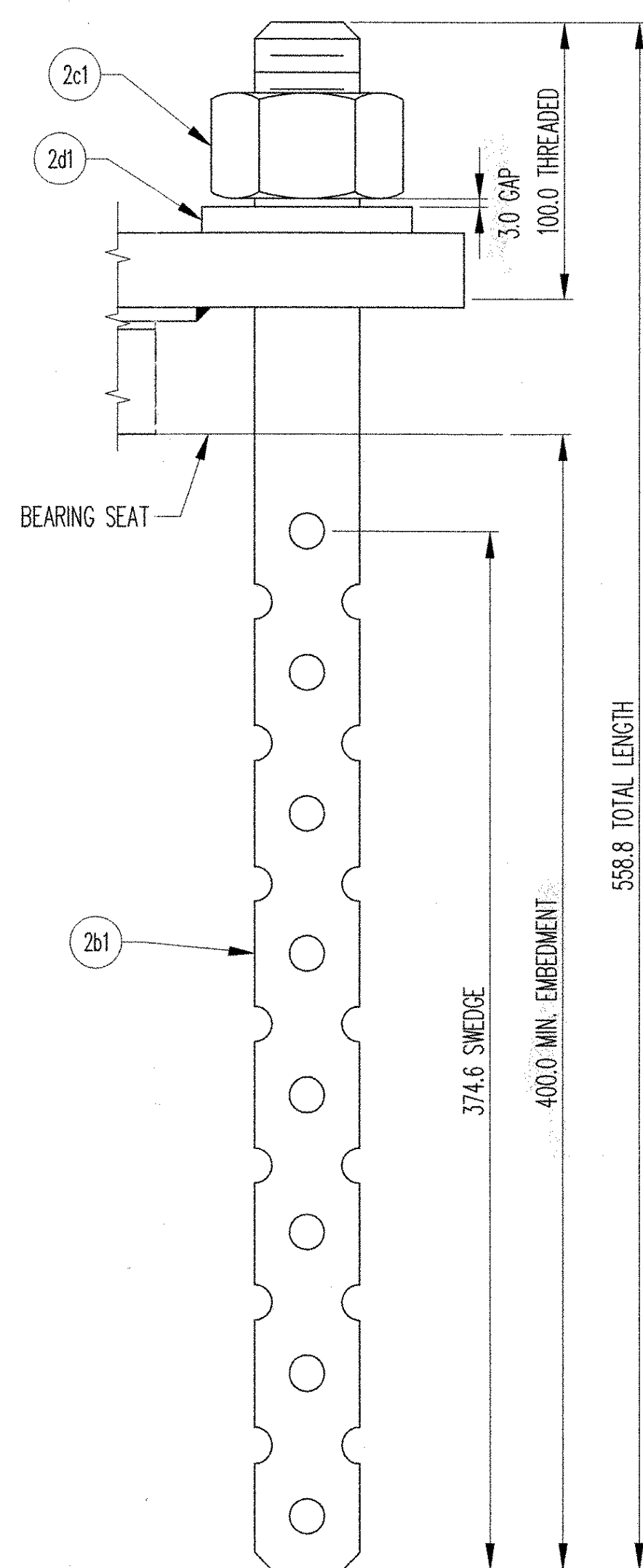


SECTION 'A-A'

UP STATION



DETAIL 'A'



ANCHOR ROD DETAIL

MK	QTY.	DESCRIPTION	MATERIAL	LENGTH	REMARKS	PART NO.
2A	4	PREFORMED FABRIC BEARING	73L01			
2a1	4	38.0 X 206.0	VT 707.07	140.0	(AASHTO 18.4.10.1)	
2a2	4	5.0 X 236.0	A240, TYPE 304	216.0	#8 MIRROR FINISH; PLAIN	
2a3	4	1.6 X 206.0	PTFE	140.0	PURE VIRGIN UNFILLED	
2sp1	4	29.0 X 430.0	A709 GR 50	236.0	(AASHTO M270 GR 345); A123-HDG	
2B	8	SWEDGE ANCHOR ROD				
2b1	8	38.1Ø X 558.8	A36		(AASHTO M88); 374.6 SWEDGE, 100.0 THREADED; A153-HDG	
2C	8	HEAVY HEX NUT				
2c1	8	38.1Ø	A563-DH/A194-2H		(AASHTO M291-DH/M292-2H); SEE NOTE 7; A153-HDG	
2D	8	WASHER PLATE				
2d1	8	9.5 X 76.2	A36	155.8	41.3 DIA. HOLE; A153-HDG	

NOTE: ALL DIMENSIONS IN MILLIMETERS, UNLESS OTHERWISE NOTED.  
NOTE: ALL MATERIAL SPECIFICATION DESCRIPTIONS ARE ASTM, UNLESS OTHERWISE NOTED.

RECEIVED  
OK'D BY \_\_\_\_\_ OK'D BY \_\_\_\_\_  
APR 29 2004  
RESUBMIT \_\_\_\_\_ APPROVED: *AsNoted*  
BY *RRW* DATE 5-12-04

FOR GENERAL NOTES SEE SHEET GNI.

**D.S. BROWN**  
300 E. CHERRY STREET  
NORTH BALTIMORE, OHIO 45872  
419.257.3561  
FAX: 419.257.0332  
4201 NOREX DRIVE  
CHASKA, MINNESOTA 55318  
952.368.3000  
FAX: 952.448.7000  
DSBROWN.COM

REV.	DESCRIPTION	DATE	DET.	CKD.
	LOCATION — T.H. 4 OVER BLACK RIVER BRIDGE — 12		ITEM	QUANTITY
	PROJECT — BHO 1442 (22)		11091-1106-2	4 OF 4
	F.A.P. NO. — —		—	—
	P.O. NO. — 4013		—	—
	DESIGNER — VANASSE HANGEN BRUSTLIN, INC.		—	—
	CUSTOMER — MILLER CONSTRUCTION		—	—

DESCRIPTION: PREFORMED FABRIC BEARING WINDSOR COUNTY, VERMONT  
SCALE: N.T.S.  
DRAWN BY: B.COPPUS/E.KELLEY  
CHECKED BY: 4/22/04  
PROJECT NUMBER: 11091  
PRODUCT CODE: 1106  
RELEASE: 1  
SHEET: 02