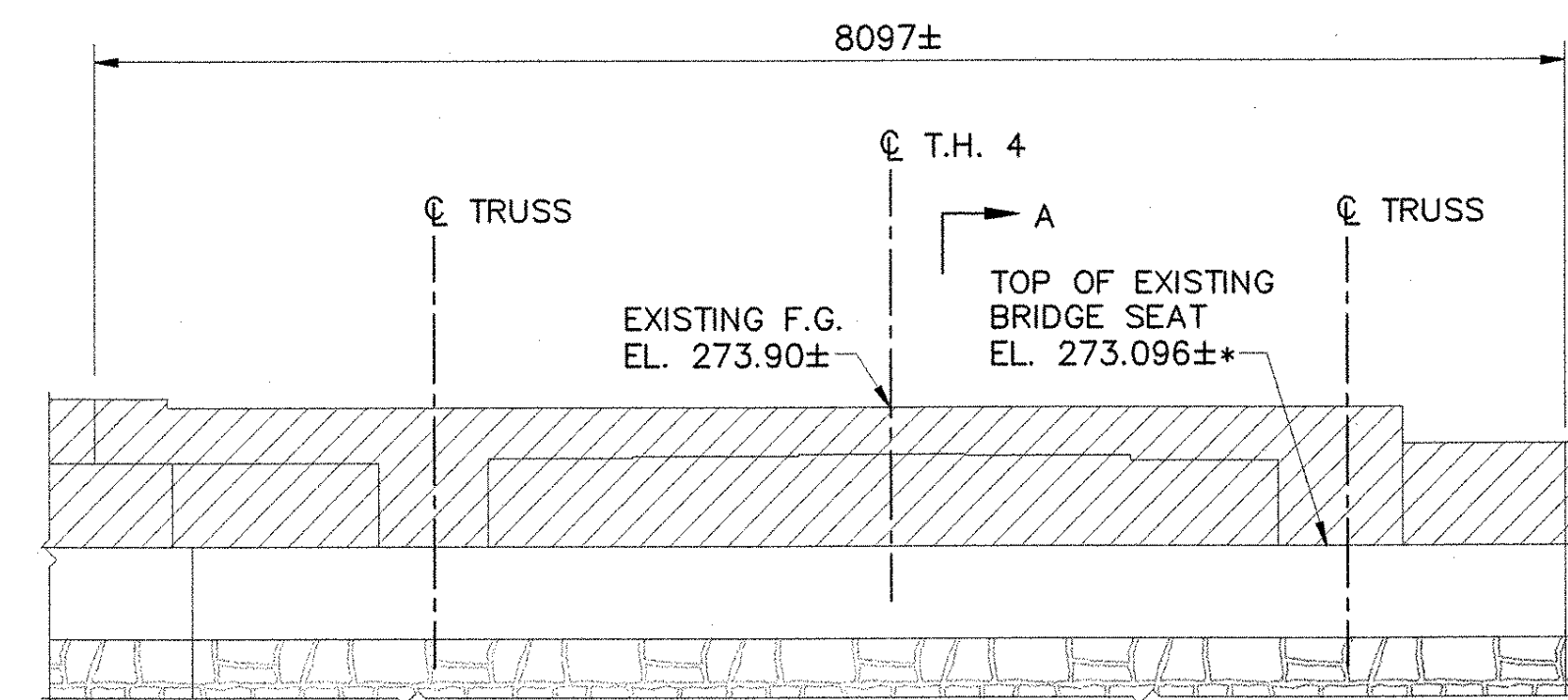


EXISTING ABUTMENT 1 ELEVATION

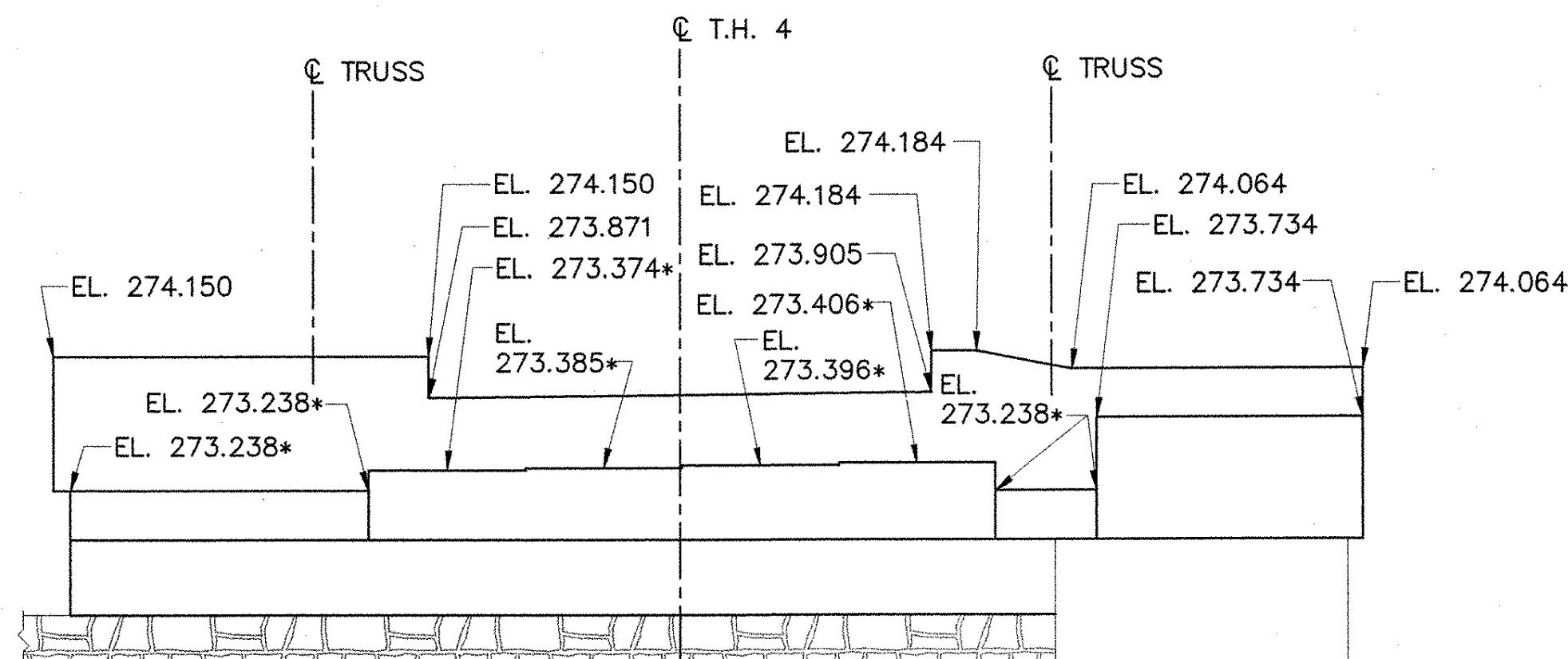
SCALE: 1:40



EXISTING ABUTMENT 2 ELEVATION

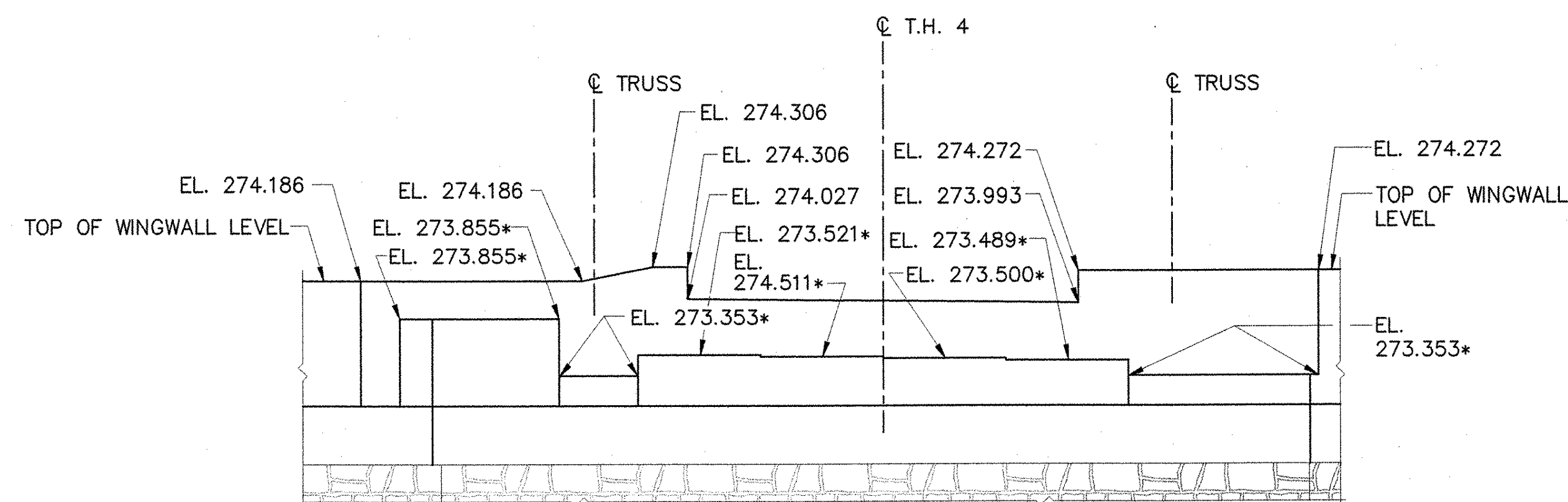
SCALE: 1:40

DENOTES LIMITS OF REMOVAL



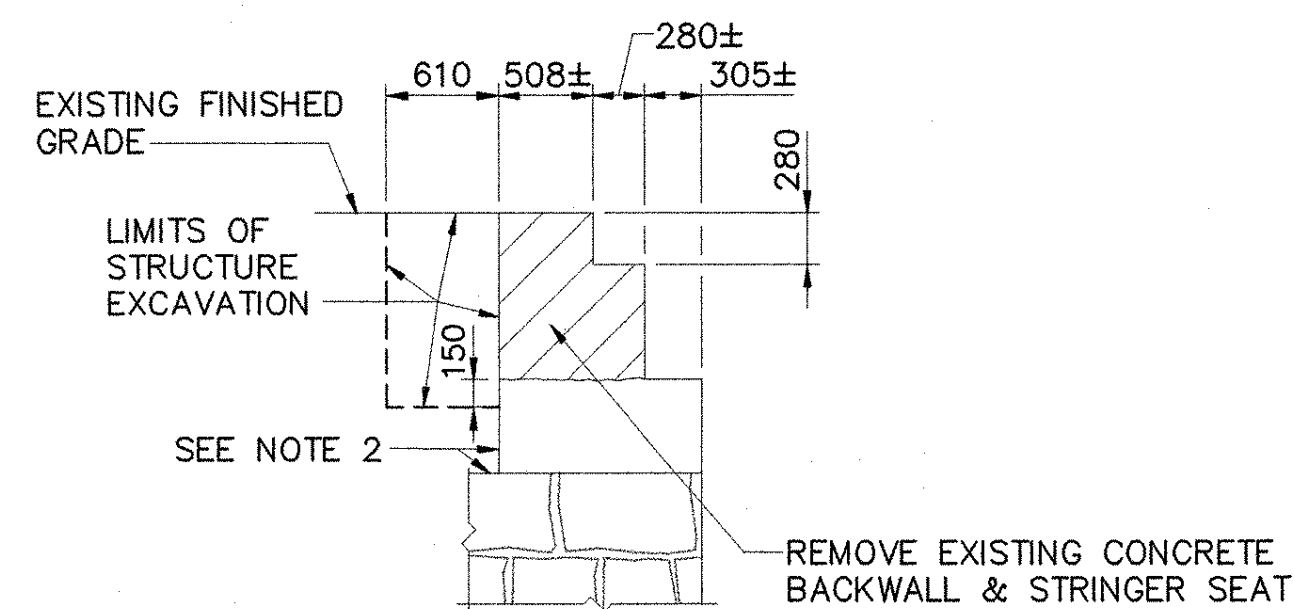
PROPOSED ABUTMENT 1 ELEVATION

SCALE: 1:40



PROPOSED ABUTMENT 2 ELEVATION

SCALE: 1:40



SECTION A-A

NOT TO SCALE

**NOTES:**

1. REMOVE ENTIRE ABUTMENT, INCLUDING WINGWALLS, ABOVE TOP OF EXISTING BRIDGE SEAT ELEVATION.
2. AN ASSUMED CONFIGURATION OF THE BACK OF EXISTING BACKWALL AND ABUTMENT IS SHOWN IN THE SECTION ON THIS SHEET. THE ACTUAL CONFIGURATION IS UNKNOWN.
3. ELEVATIONS WITH AN \* ARE GIVEN AT C BEARING. ALL OTHER ELEVATIONS ARE GIVEN AT FACE OF BACKWALL.

**STATE OF VERMONT  
AGENCY OF TRANSPORTATION**

Town Of	CAVENDISH	Bridge No.	12
Highway No.	T.H. 4	Log Sta.	
		Surv. Sta.	
T.H. 4 OVER BLACK RIVER			
<b>ABUTMENT ELEVATIONS</b>			
Designed By	T.S. BRYANT	Drawn By	M.M. LANDREY
Checked By	W.M. MOSHER	Bridge Design Supervisor	S.W. JOHNSON
	Date 1/04	Date	1/04
PROJECT	CAVENDISH	PROJECT NO.	BHO 1442 (22)
I.G.C. Info.		Bridge Sheet No.	49912ABE
		Sheet	22 of 34



SCALE = 1:40

VANASSE HANGEN BRUSTLIN, INC.