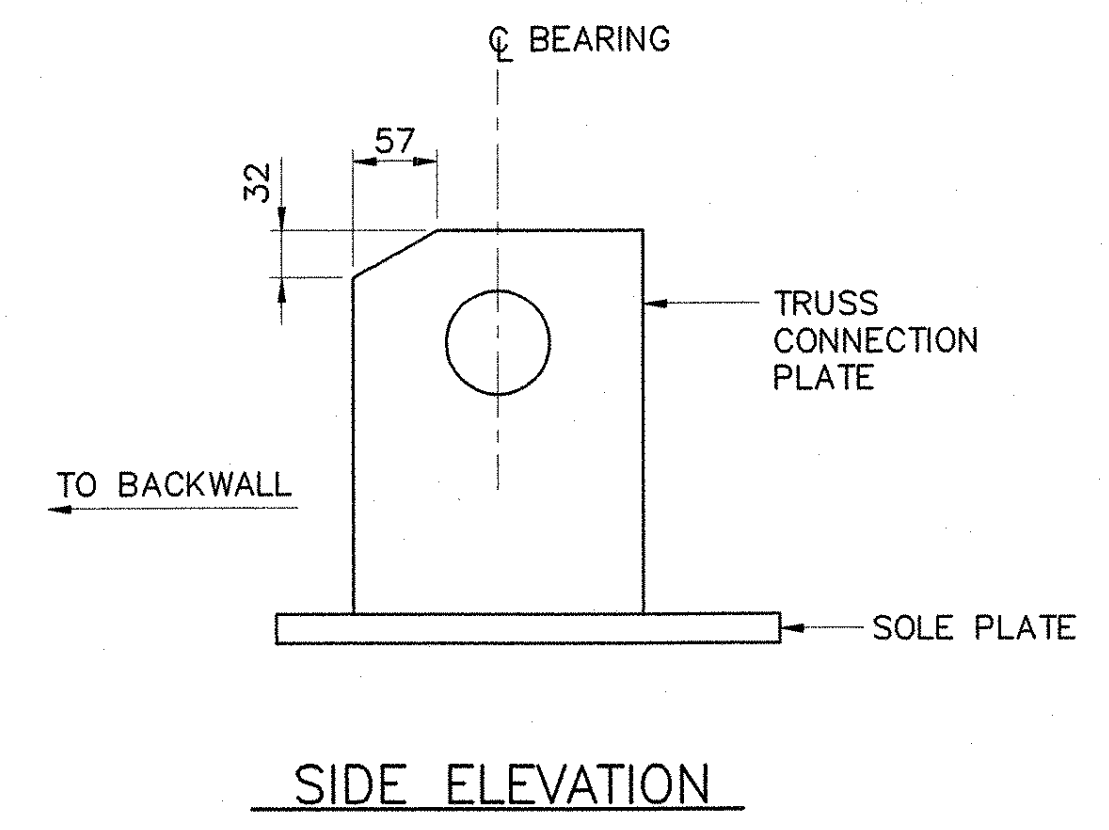
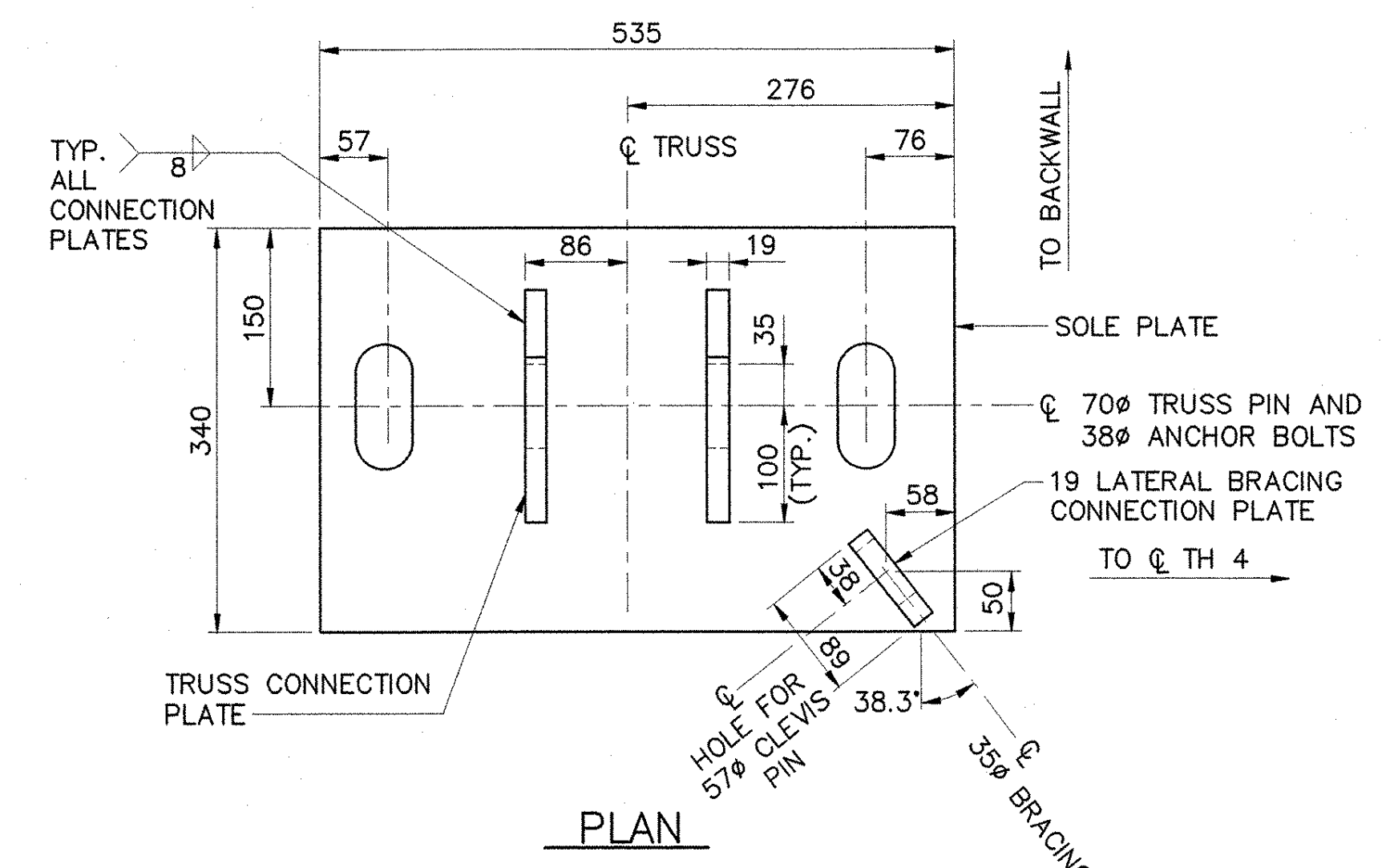
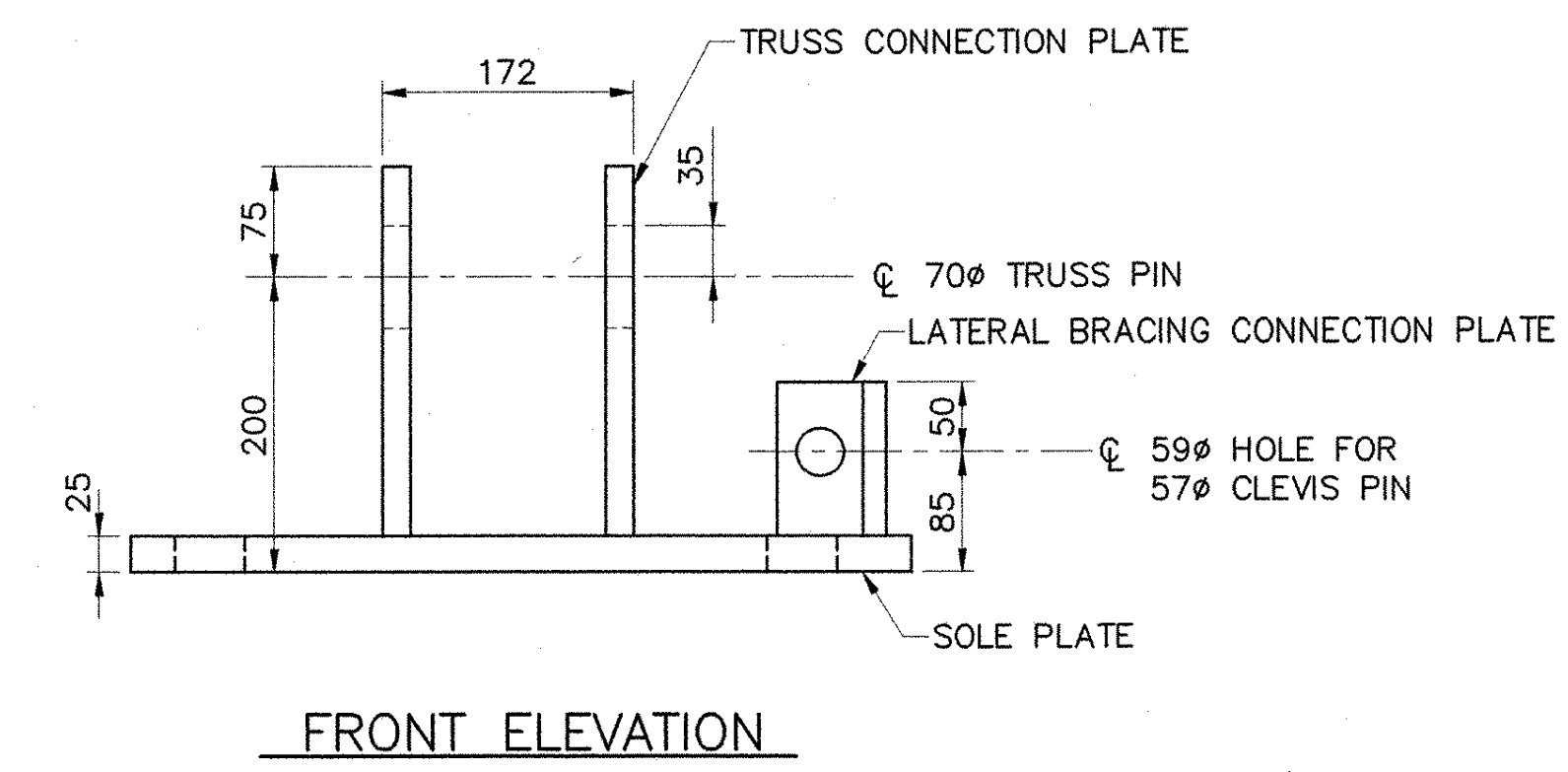
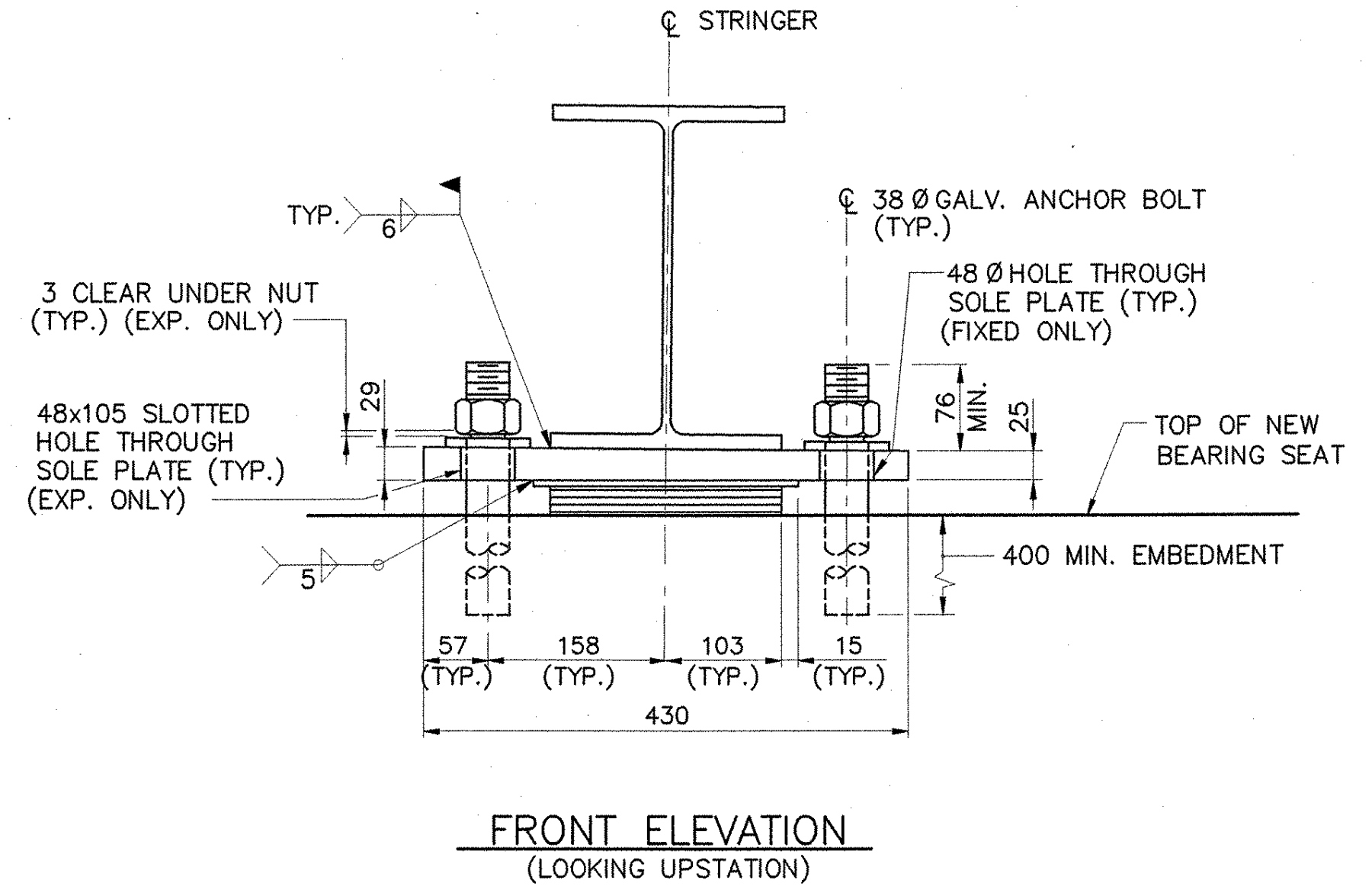
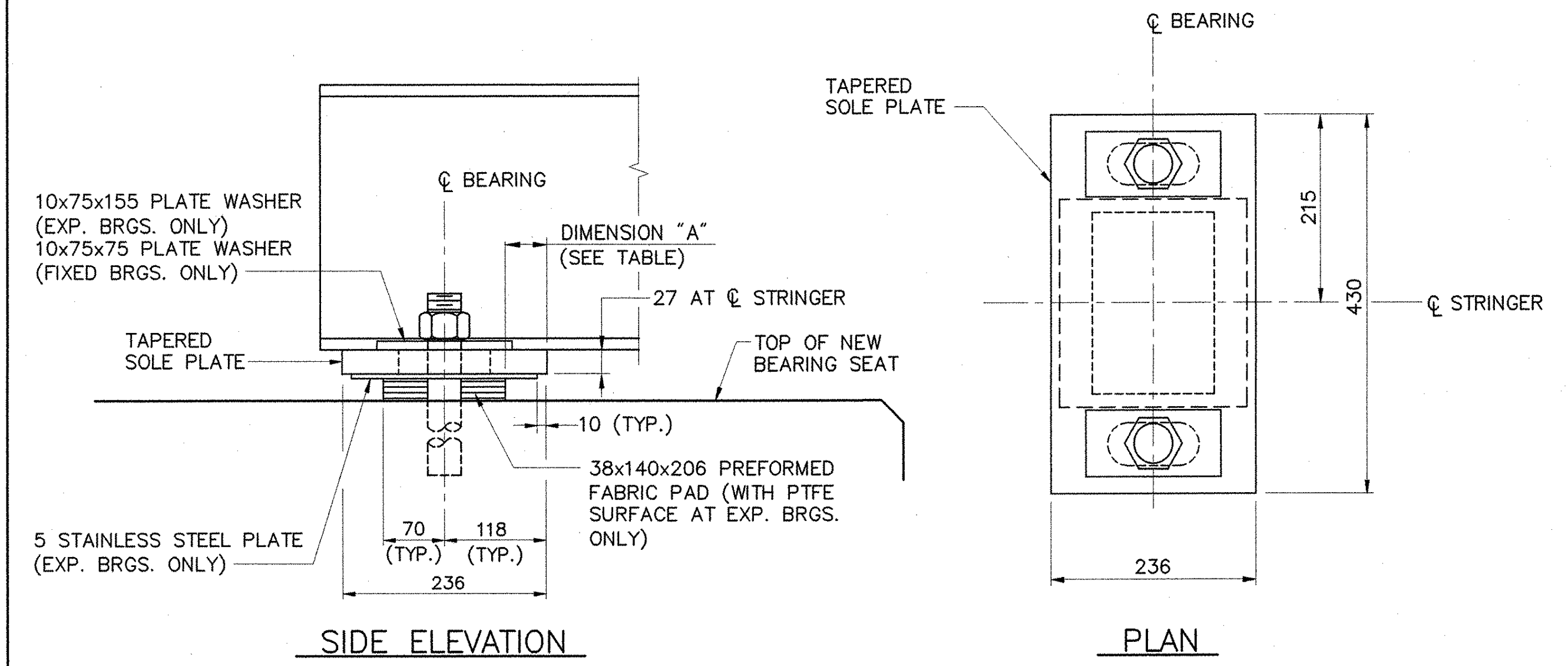


TRUSS EXPANSION BEARINGS AT ABUT. NO. 2
 (FIXED BEARINGS SIMILAR)
 (TRUSS AND DIAGONAL BRACING CONNECTION PLATES NOT SHOWN, SEE TRUSS EXPANSION BEARING SOLE PLATE DETAILS)
 SCALE: 1:5



TRUSS EXPANSION BEARING SOLE PLATE DETAILS
 SCALE: 1:5



STRINGER EXPANSION BEARINGS AT ABUT. NO. 2
 (FIXED BEARINGS SIMILAR)
 SCALE: 1:5

NOTES:
 1. ABUTMENT NO. 1 DOWNSTREAM AND ABUTMENT NO. 2 UPSTREAM TRUSS BEARINGS SHOWN. OTHER TRUSS BEARINGS SIMILAR, OPPOSITE HAND.

SCALE = 1:5

STATE OF VERMONT AGENCY OF TRANSPORTATION	
Town Of CAVENDISH	Bridge No. 12
Highway No. T.H. 4	Log Sta.
	Surv. Sta.
T.H. 4 OVER BLACK RIVER	
BEARING DETAILS	
Designed By W.M. MOSHER	Drawn By M.M. LANDREY
Checked By T.S. BRYANT	Date 1/04
	Bridge Design Supervisor S.W. JOHNSON
	Date 1/04
PROJECT CAVENDISH	PROJECT NO. BHO 1442 (22)
I.G.C. Info.	
Bridge Sheet No. 49912BRG	Sheet 19 of 34

VANASSE HANGEN BRUSTLIN, INC.