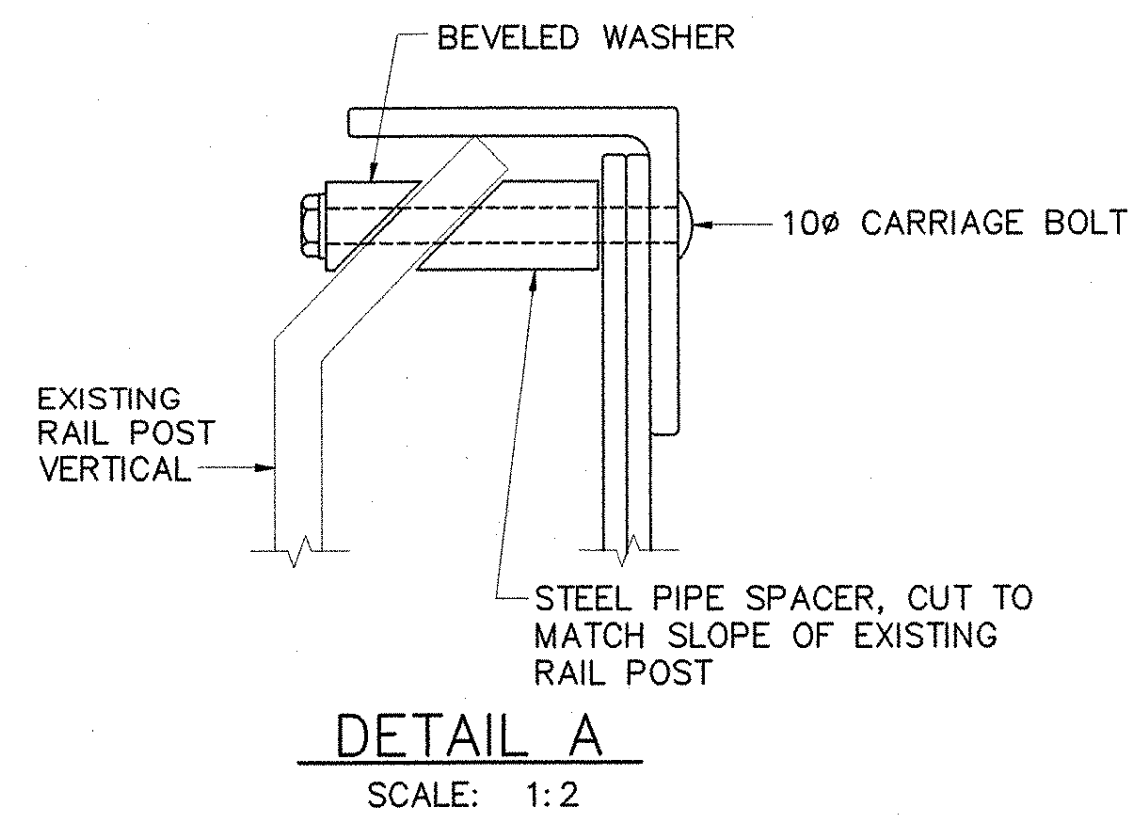
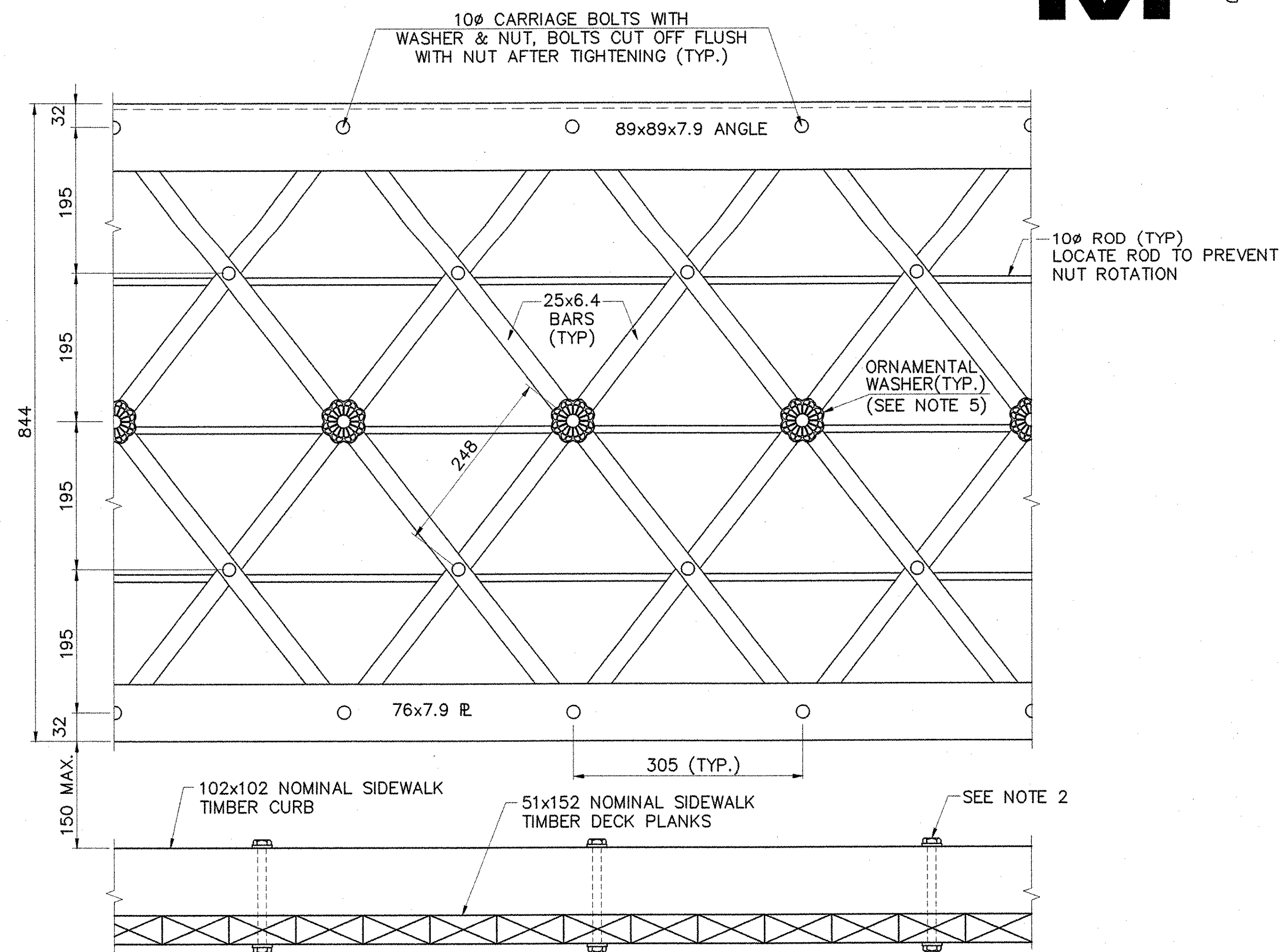


SIDEWALK RAILING TYPICAL SECTION
SCALE: 1:5



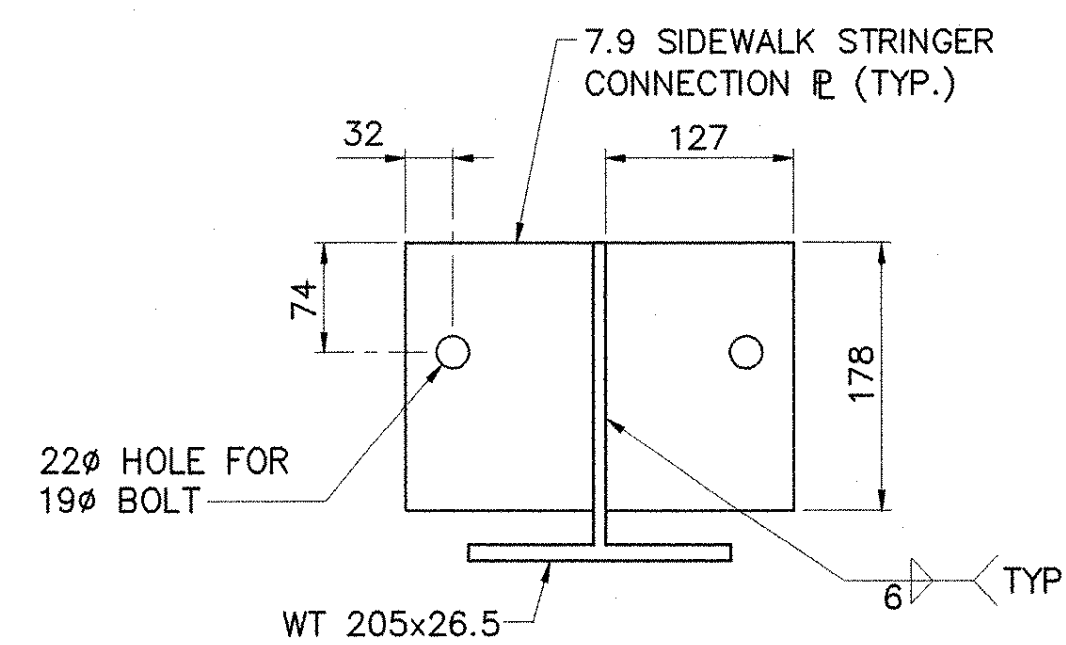
DETAIL A
SCALE: 1:2



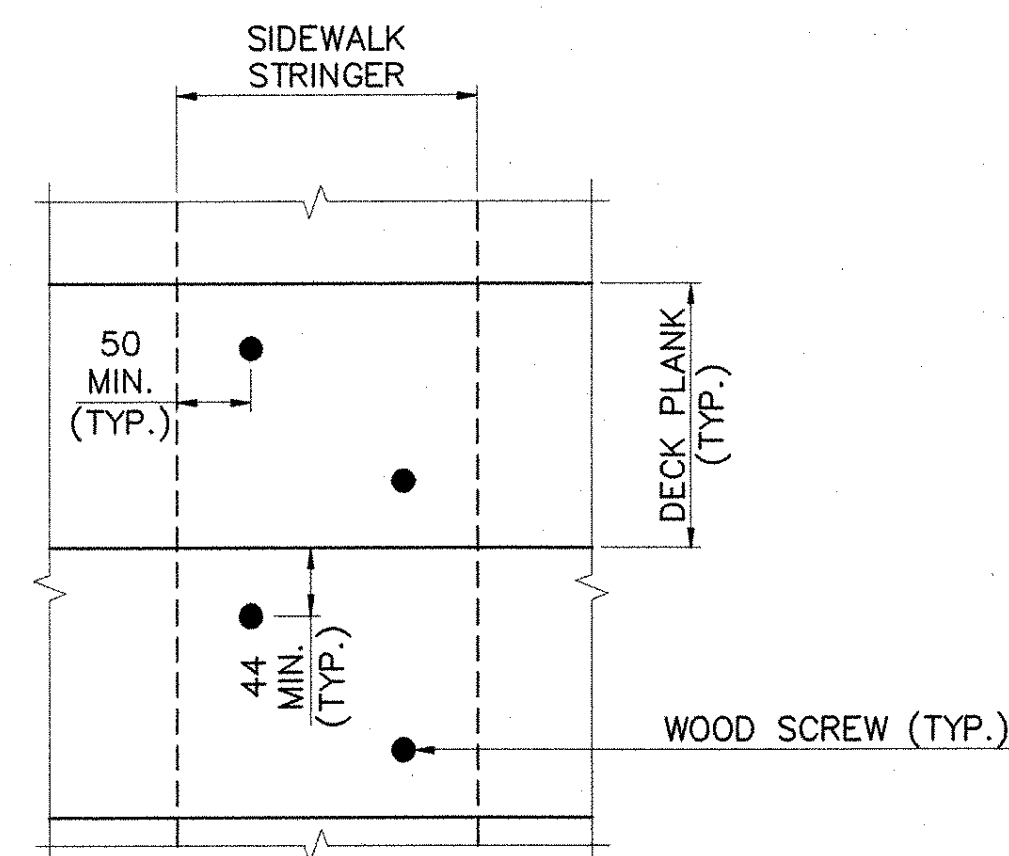
SIDEWALK RAILING ELEVATION
SCALE: 1:5

NOTES:

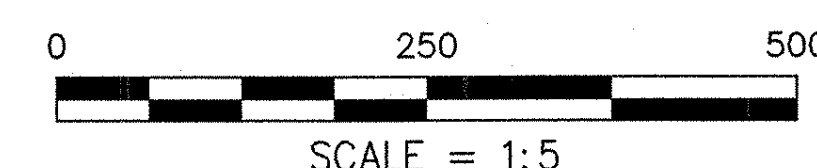
1. FASTEN DECK PLANKS TO EACH SIDEWALK STRINGER AND THE TIMBER NAILER WITH TWO #10x76 LONG GALVANIZED WOOD SCREWS.
2. ATTACH CURB TO DECK PLANKS WITH 6# BOLTS SPACED AT 914 O.C. MAXIMUM. USE A WASHER UNDER BOTH BOLT HEAD AND NUT. INSTALL EACH BOLT AT THE CENTER OF A DECK PLANK.
3. FOR SIDEWALK RAILING, USE 10# CARRIAGE BOLTS WITH WASHERS AND NUTS TO SECURE RAILING TO RAIL POST. FOR CONNECTIONS AT TOP OF POST USE BEVELED WASHER AND STEEL PIPE SPACER AS SHOWN. DRILL 11# HOLES AT C EXISTING RAIL POST VERTICAL TO ACCOMMODATE CONNECTION BOLTS (BURR THREADS AFTER TIGHTENING).
4. PROVIDE 25# SLOTTED HOLE ATTACHMENT TO CHAIN LINK FENCE POSTS AT ABUTMENTS. ALSO PROVIDE A MIN. 76mm WIDE CLOSURE PLATE FROM TOP OF RAIL TO BOTTOM OF 76x76x7.9 HSS AT BOTH ENDS OF RAIL. SUBMIT DETAILS OF PROPOSED SLOTTED HOLE ATTACHMENT AND CLOSURE PLATES TO THE ENGINEER FOR APPROVAL PRIOR TO FABRICATION OF THE SIDEWALK RAILING.
5. ORNAMENTAL WASHERS SHALL BE CAST IRON. PROVIDE SAMPLES OF SEVERAL STYLES TO THE TOWN, THROUGH THE ENGINEER, SO THAT THE TOWN CAN SELECT THE STYLE TO BE USED. USE THE SELECTED STYLE IN ALL LOCATIONS WHERE ORNAMENTAL WASHERS ARE REQUIRED.
6. ALL COMPONENTS OF THE SIDEWALK RAILING, INCLUDING ORNAMENTAL WASHERS, ATTACHMENT HARDWARE, 76x76x7.9 HSS MEMBERS, CLOSURE PLATES AT ENDS OF RAIL, AND HARDWARE FOR ATTACHING RAIL TO CHAIN LINK FENCE POSTS AT ABUTMENTS, SHALL BE INCLUDED IN ITEM 525.15, METAL HAND RAILING (MOD.).
7. ALL COMPONENTS OF THE SIDEWALK RAILING INCLUDING ALL ATTACHMENT HARDWARE, SHALL BE PAINTED. PAINTING OF THE SIDEWALK RAILING SHALL BE PAID FOR UNDER ITEM 513.40, SURFACE PREPARATION SHOP, AND ITEM 513.25, STRUCTURAL PAINTING, SHOP APPLIED.



SECTION A-A
SCALE: 1:5



SIDEWALK DECK PLANK ATTACHMENT DETAIL
SCALE: 1:5



VANASSE HANGEN BRUSTLIN, INC.

**STATE OF VERMONT
AGENCY OF TRANSPORTATION**

| | | | |
|-------------|-----------|------------|----|
| Town Of | CAVENDISH | Bridge No. | 12 |
| Highway No. | T.H. 4 | Log Sta. | |
| | | Surv. Sta. | |

T.H. 4 OVER BLACK RIVER

SIDEWALK & ORNAMENTAL RAIL DETAILS

| | | | |
|-------------|-------------|--------------------------|--------------|
| Designed By | W.M. MOSHER | Drawn By | M.M. LANDREY |
| Checked By | Date | Bridge Design Supervisor | |
| T.S. BRYANT | 1/04 | S.W. JOHNSON | Date 1/04 |

| | | | |
|---------|-----------|-------------|---------------|
| PROJECT | CAVENDISH | PROJECT NO. | BHO 1442 (22) |
|---------|-----------|-------------|---------------|

| | |
|------------------|----------|
| I.G.C. Info. | |
| Bridge Sheet No. | 49912SWD |
| Sheet | 18 of 34 |