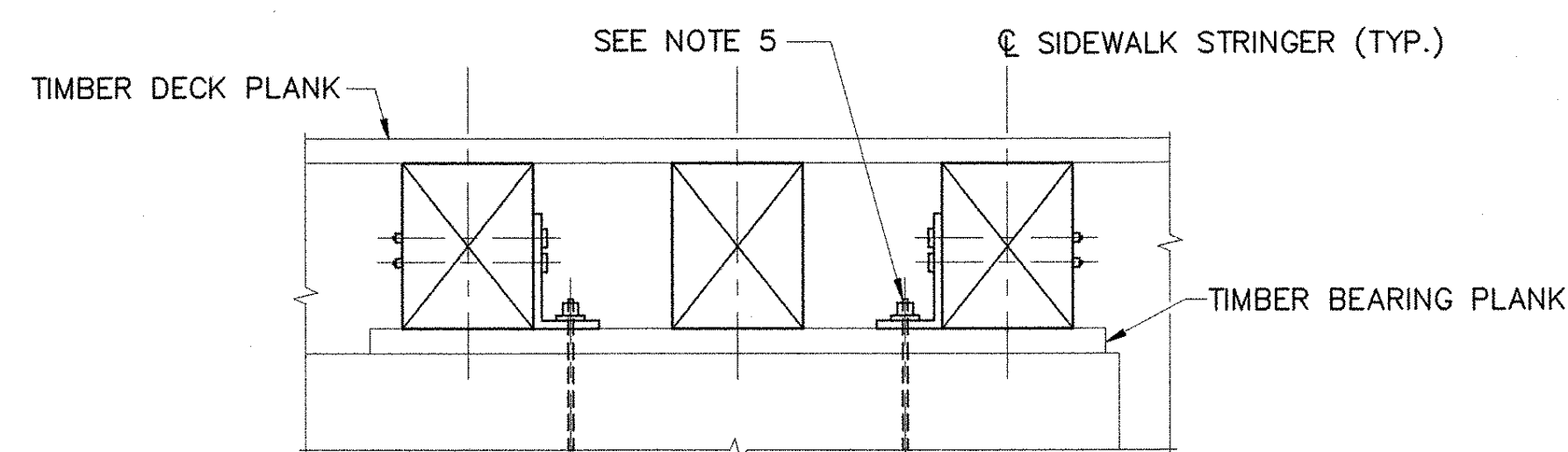
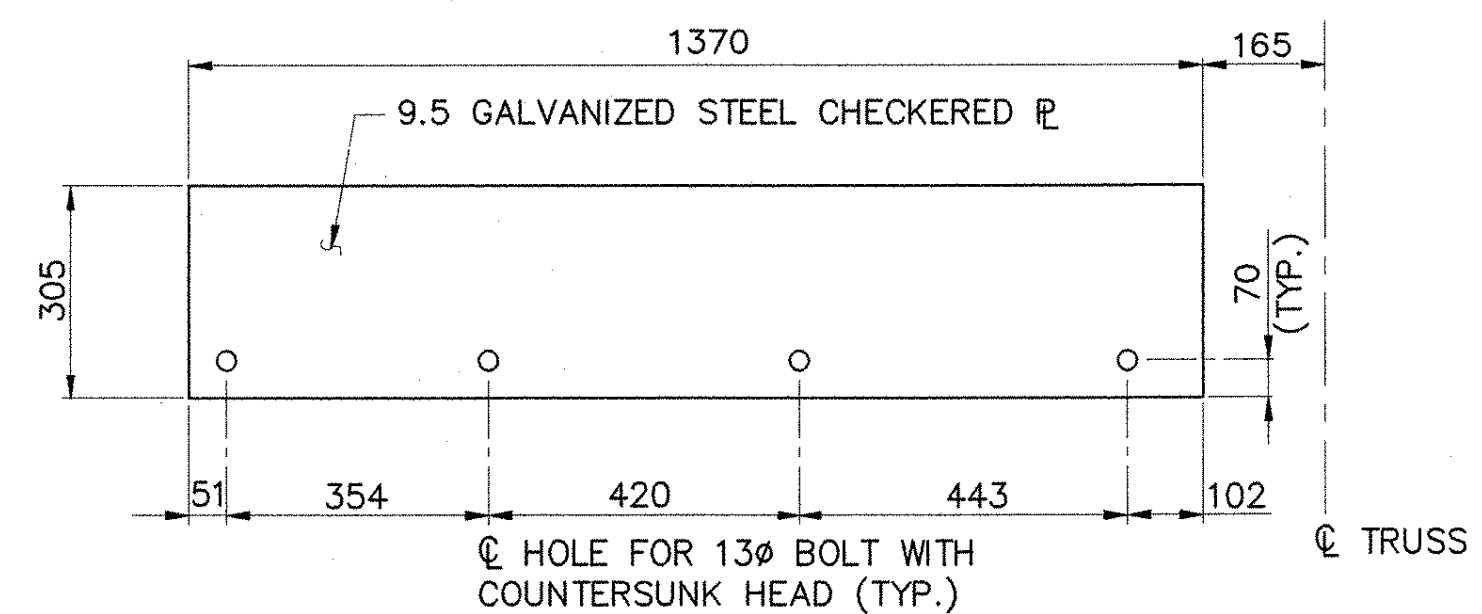


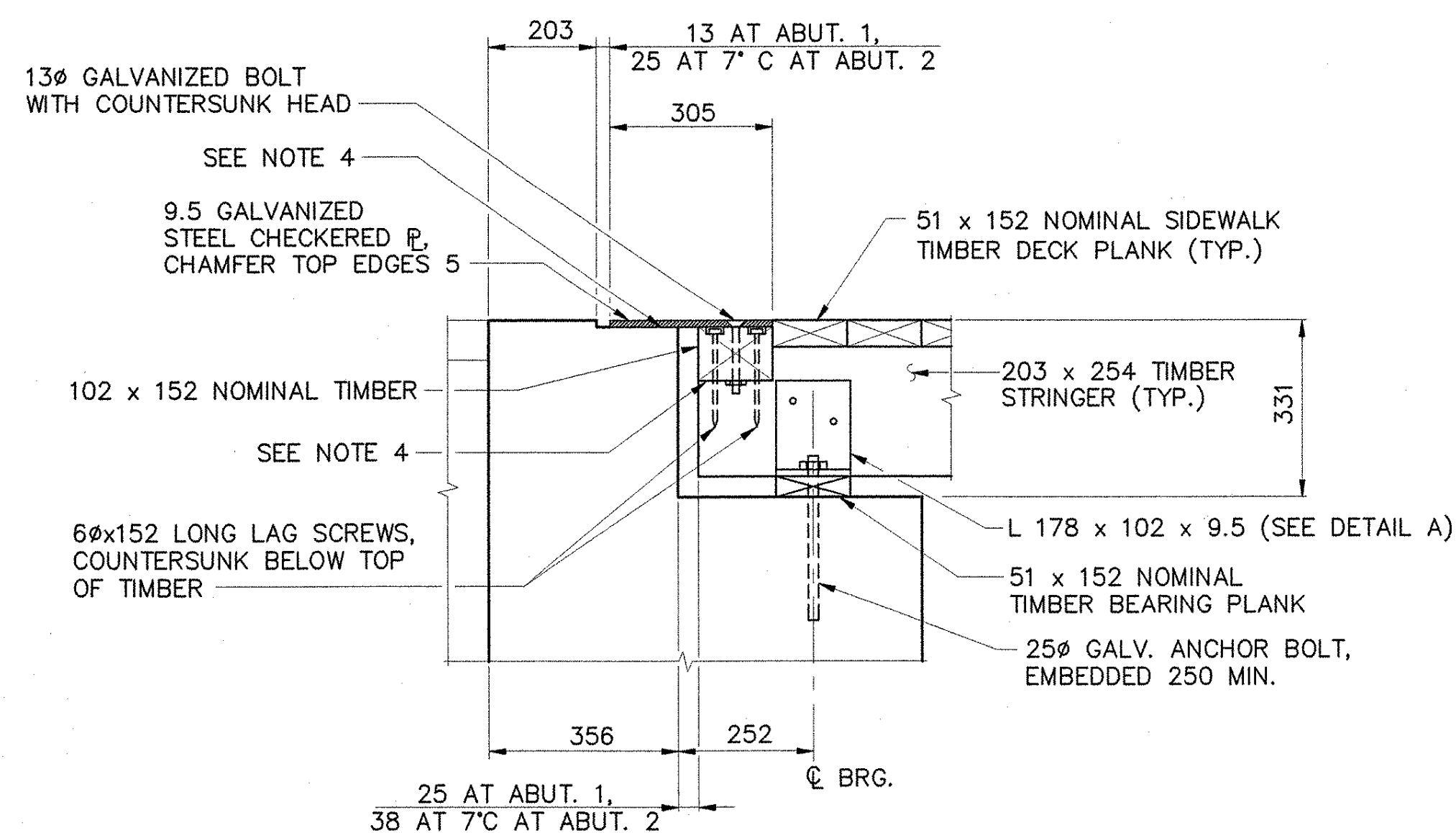
TYPICAL SIDEWALK STRINGERS PLAN AT ABUTMENT
(ABUTMENT 2 SHOWN, ABUTMENT 1 SIMILAR)
SCALE: 1:10



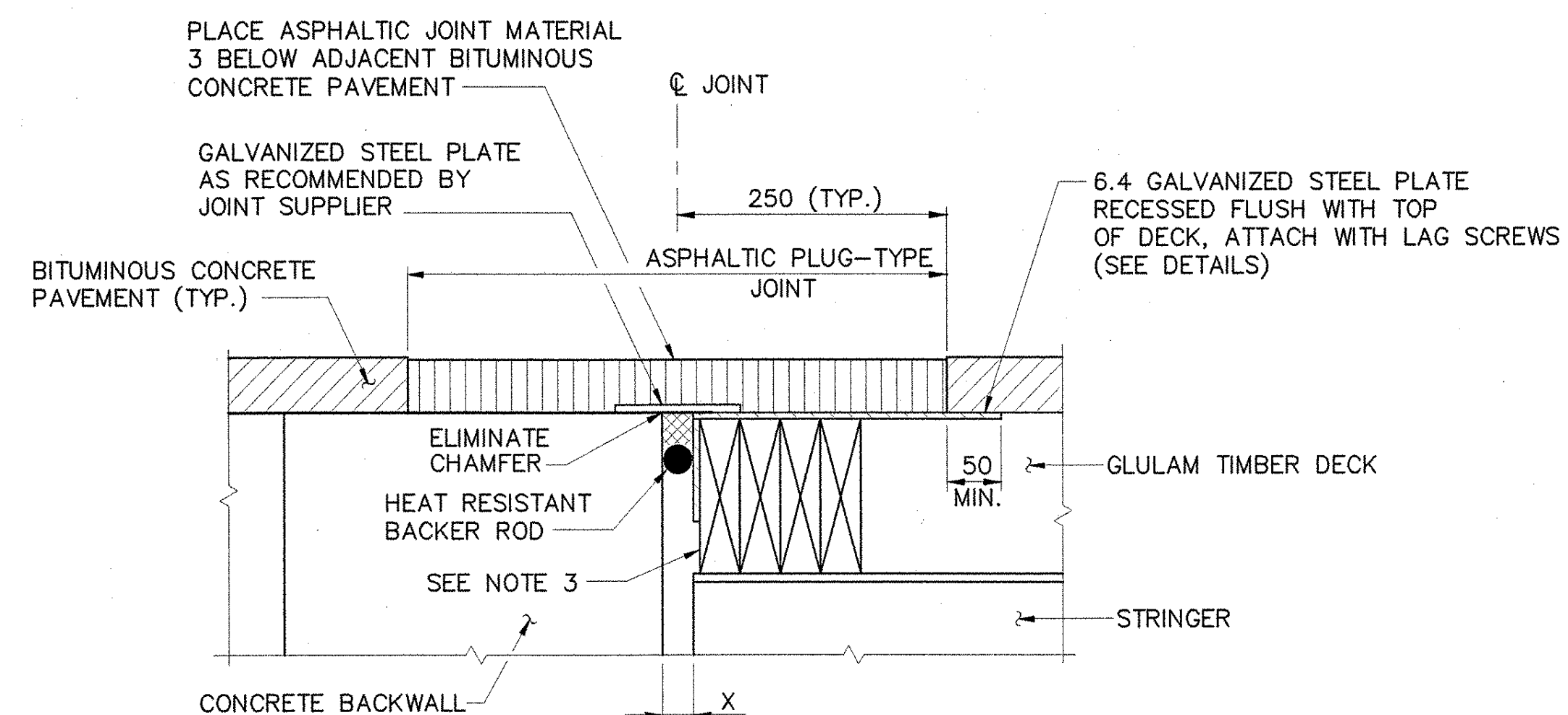
SECTION B-B
SCALE: 1:10



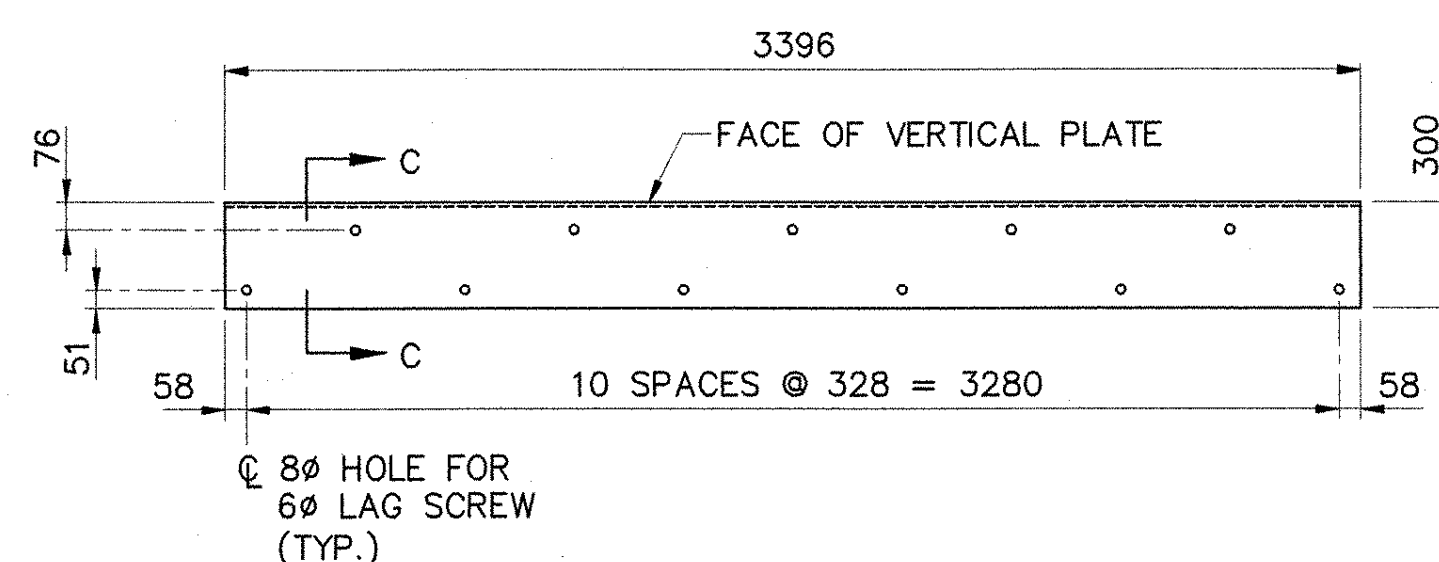
TYPICAL SIDEWALK DECK JOINT PLATE PLAN
SCALE: 1:10



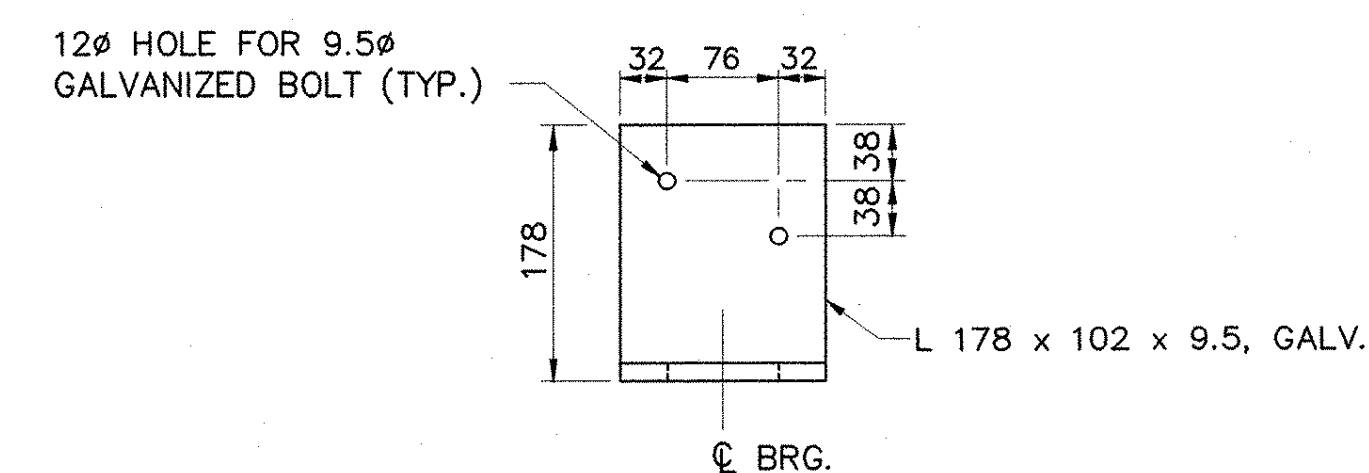
SECTION A-A
SCALE: 1:10



TYPICAL ROADWAY DECK END JOINT DETAIL
N.T.S.



TYPICAL ROADWAY DECK JOINT PLATE PLAN
NOT TO SCALE
(SEE NOTE 2)

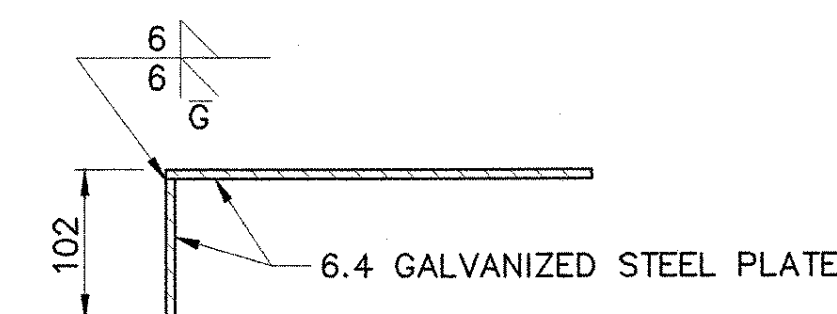


DETAIL A
SCALE: 1:5

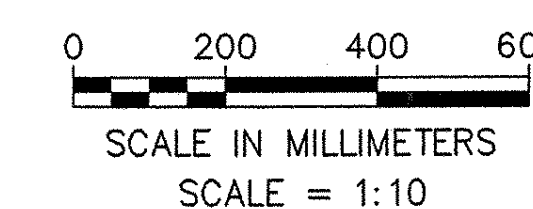
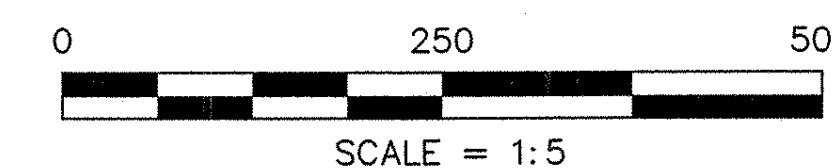
TEMPERATURE	DIMENSION "X"	
	ABUT. 1	ABUT. 2
-9° C	38	44
-1° C	38	41
7° C	38	38
16° C	38	35
24° C	38	32
32° C	38	29
41° C	38	26

NOTES:

1. ASPHALTIC PLUG-TYPE JOINTS SHALL BE INSTALLED AT BOTH ABUTMENTS.
2. ATTACH PLATE TO DECK WITH 102 LONG 6.4ø LAG SCREWS.
3. CUT END OF END DECK PANELS AS NECESSARY TO ACHIEVE THE REQUIRED JOINT OPENINGS.
4. RECESS BACKWALL AND NOTCH STRINGERS SO TOP OF CHECKERED PLATE IS LEVEL WITH TOP OF WEARING SURFACE.
5. TIGHTEN ANCHOR BOLT NUTS FINGER TIGHT, THEN BACK OFF NUT 3 MILLIMETERS AND BURR THREADS.



SECTION C-C
SCALE: 1:5



VANASSE HANGEN BRUSTLIN, INC.

**STATE OF VERMONT
AGENCY OF TRANSPORTATION**

Town Of	CAVENDISH	Bridge No. 12
Highway No.	T.H. 4	Log Sta.
		Surv. Sta.

T.H. 4 OVER BLACK RIVER

DECK JOINT & SIDEWALK END DETAILS

Designed By	T.S. BRYANT	Drawn By	K.D. WENTWORTH
Checked By	Date	Bridge Design Supervisor	
T.S. BRYANT	1/04	S.W. JOHNSON	Date 1/04

PROJECT	CAVENDISH	PROJECT NO.	BHO 1442 (22)
---------	-----------	-------------	---------------

I.G.C. Info.	
Bridge Sheet No.	49912DJJ
Sheet	17 of 34