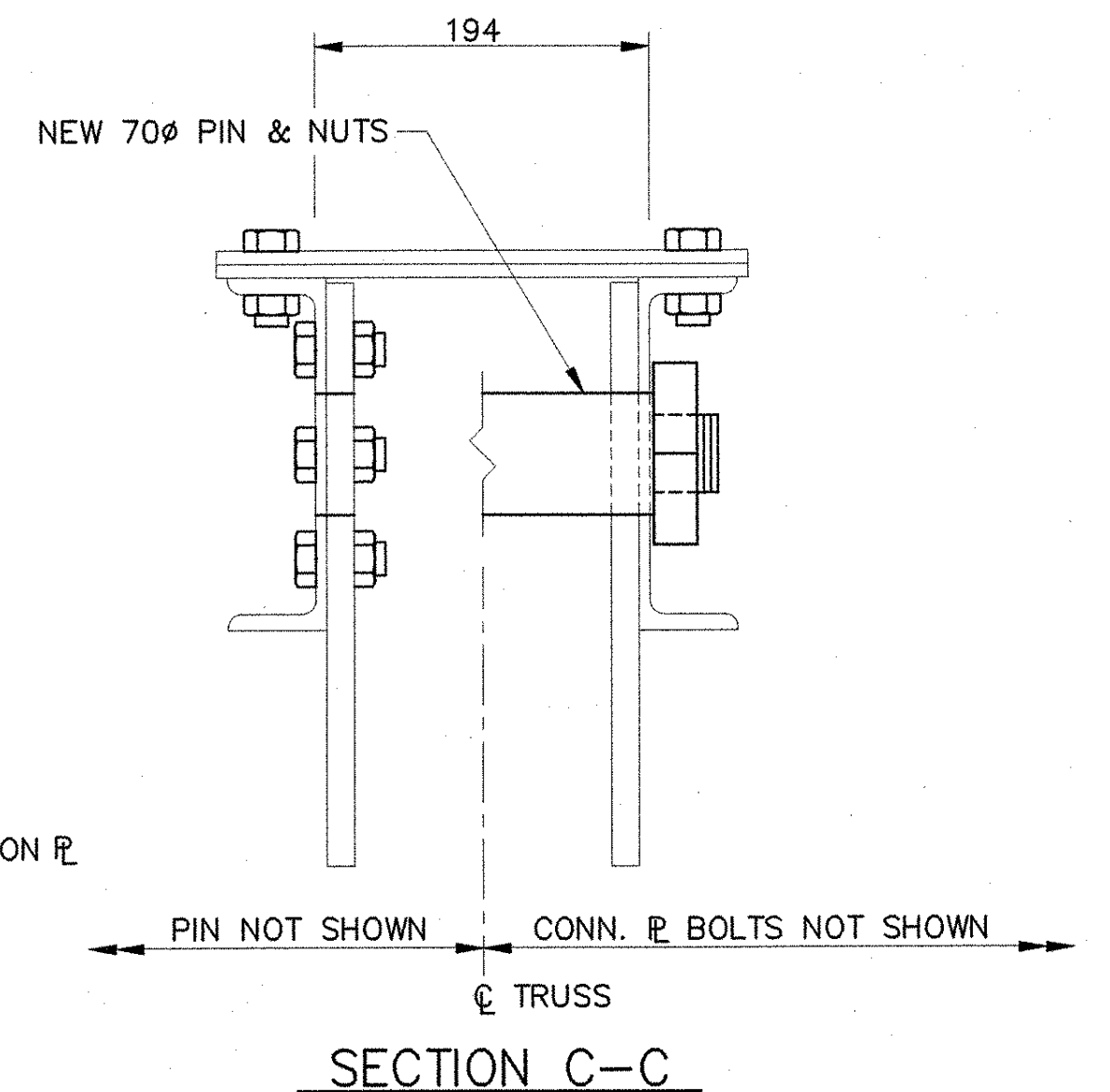
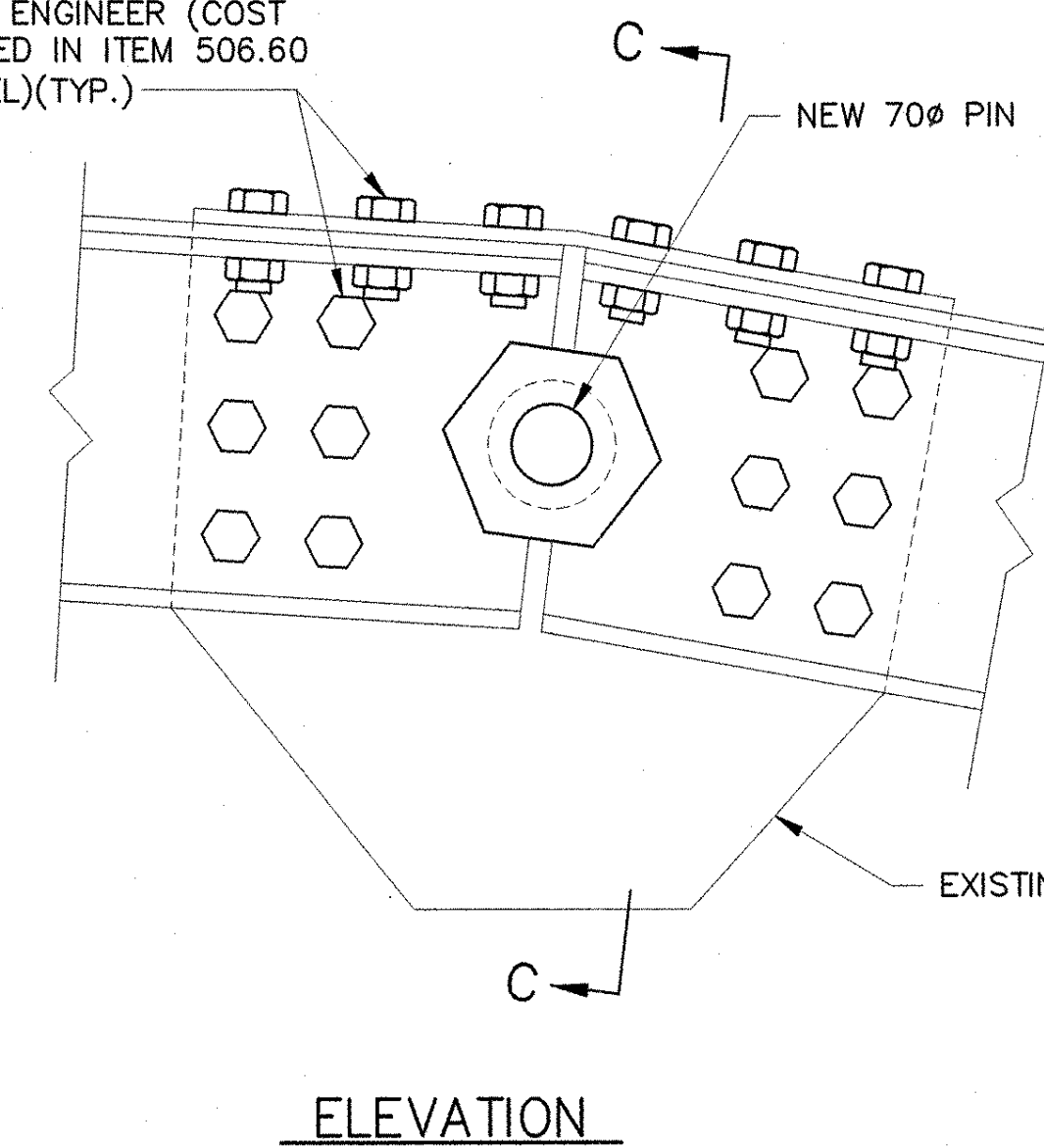


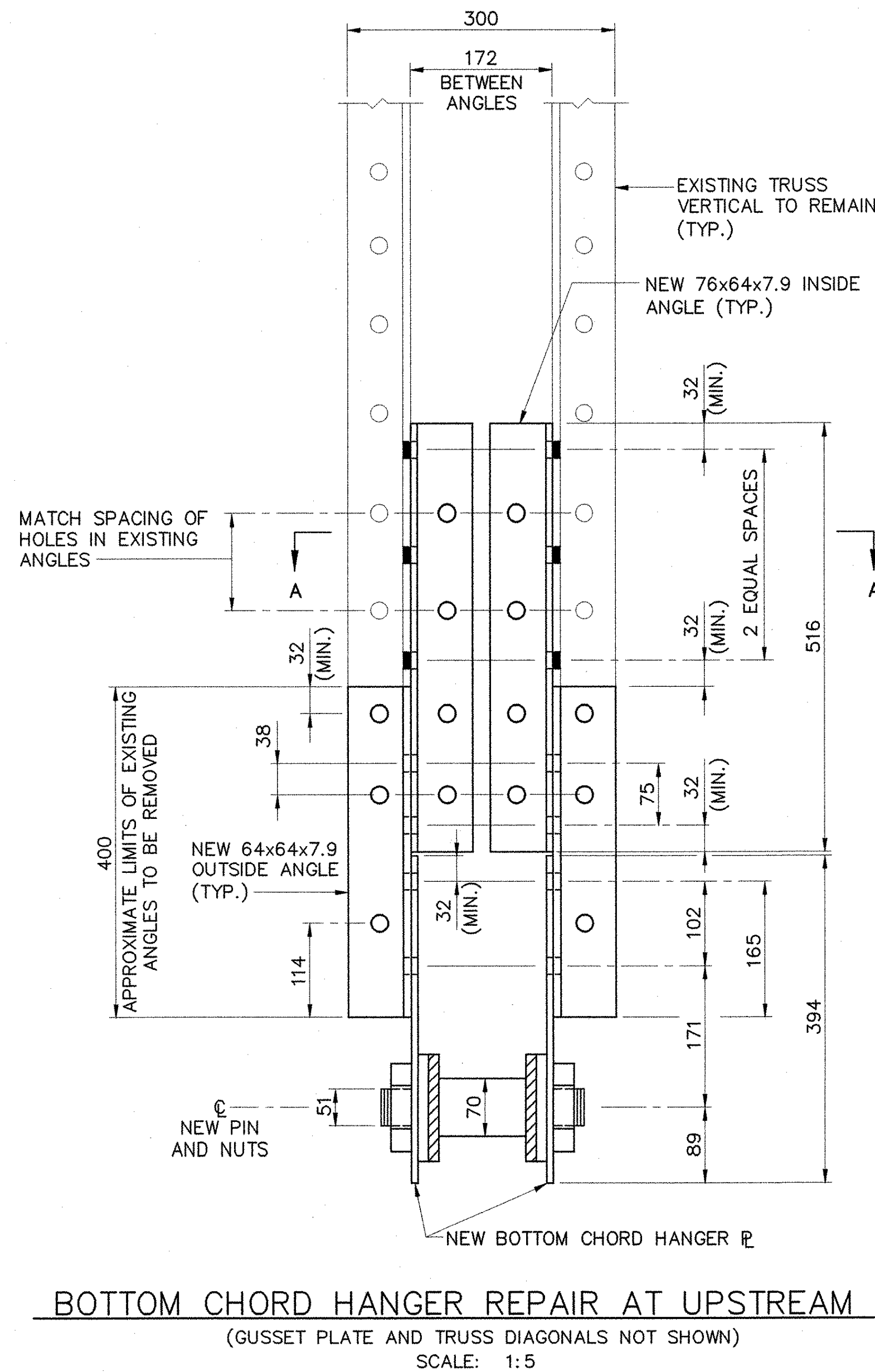
BOTTOM CHORD & SPACERS			
LOCATION	t	A	B
L0-L1	19	92	22
L1-L2	19	54	22
L2-L3	22.2	92	25
L3-L4	22.2	48	25
L4-L5	19	92	22
L5-L6	19	54	22

TRUSS BOTTOM CHORD REPLACEMENT DETAILS  
NOT TO SCALE

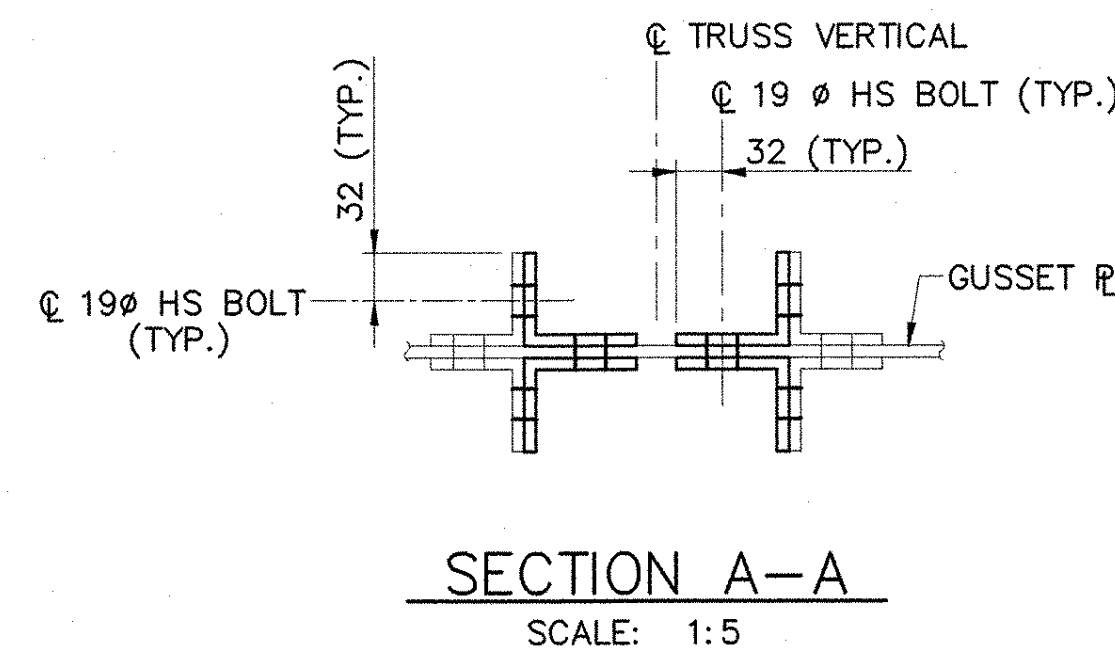
REPLACE EXISTING BOLTS WITH NEW H.S. BOLTS IN EXISTING HOLES AS DIRECTED BY THE ENGINEER (COST SHALL BE INCLUDED IN ITEM 506.60 STRUCTURAL STEEL)(TYP.)



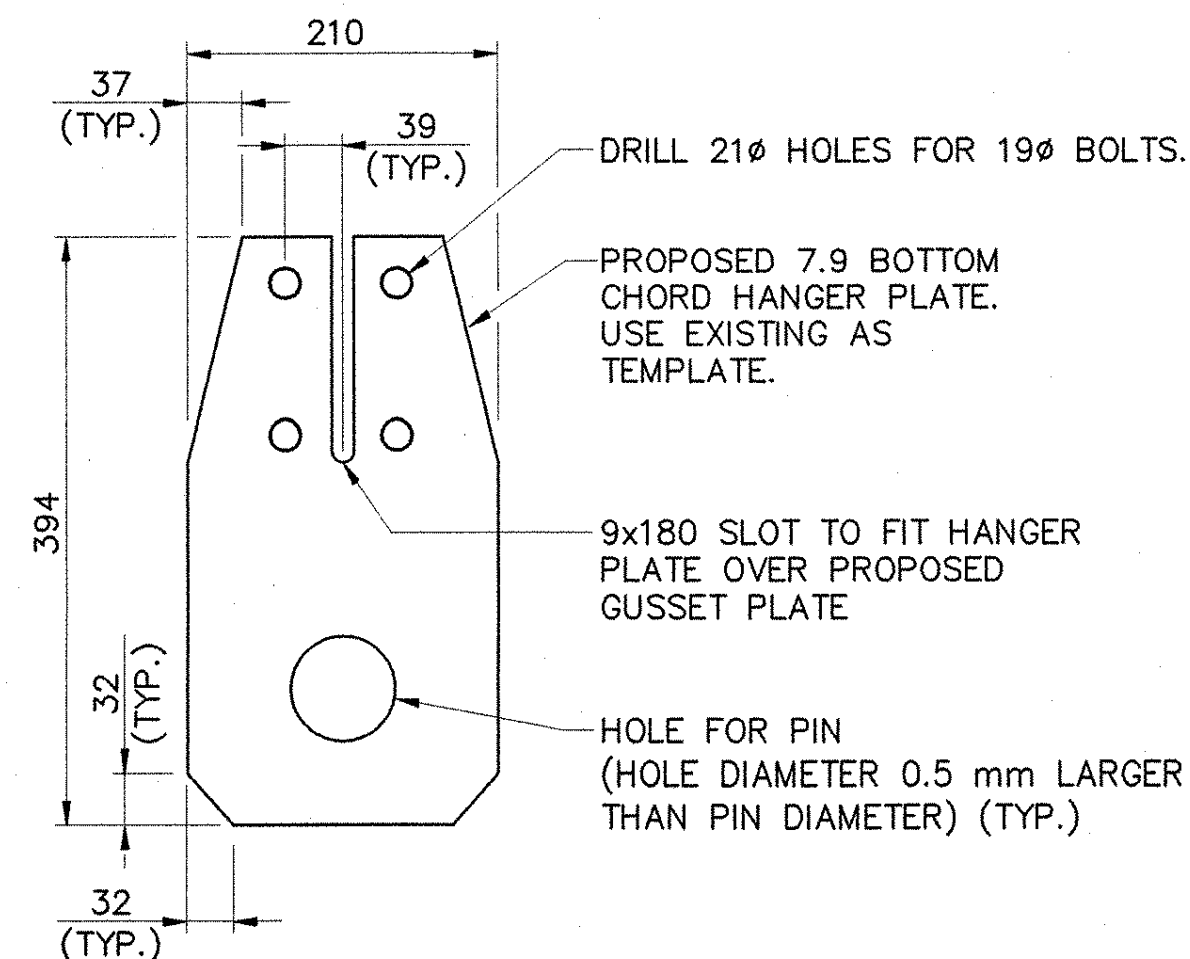
TYPICAL TOP CHORD PIN REPLACEMENT DETAILS  
NOT TO SCALE



BOTTOM CHORD HANGER REPAIR AT UPSTREAM L2  
(GUSSET PLATE AND TRUSS DIAGONALS NOT SHOWN)  
SCALE: 1:5



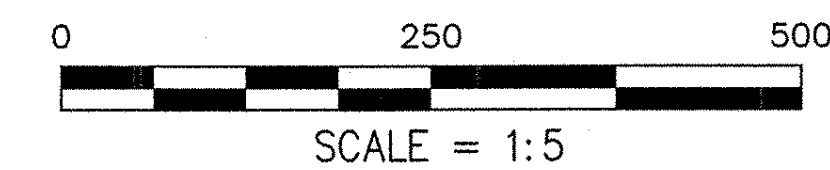
SECTION A-A  
SCALE: 1:5



NEW BOTTOM CHORD HANGER PLATE DETAIL  
SCALE: 1:5

LEGEND

- NEW 19φ HS BOLTS IN NEW MEMBERS
- NEW 19φ HS BOLTS IN HOLES DRILLED IN EXISTING MEMBERS
- EXISTING RIVETS TO REMAIN



NOTES:

1. THE NEW BOTTOM CHORD HANGER PLATE DETAIL APPLIES TO REPLACEMENTS AT PANEL POINTS L1-L5.
2. ALL DIMENSIONS OF EXISTING COMPONENTS ARE APPROXIMATE AND SHALL BE FIELD VERIFIED BY THE CONTRACTOR.

STATE OF VERMONT  
AGENCY OF TRANSPORTATION

Town Of	CAVENDISH	Bridge No.	12
Highway No.	T.H. 4	Log Sta.	
		Surv. Sta.	
T.H. 4 OVER BLACK RIVER			
<b>TRUSS REPAIR DETAILS (2 OF 2)</b>			
Designed By	W.M. MOSHER	Drawn By	M.M. LANDREY
Checked By	Date	Bridge Design Supervisor	
T.S. BRYANT	1/04	S.W. JOHNSON	Date 1/04
PROJECT	CAVENDISH	PROJECT NO.	BHO 1442 (22)
I.G.C. Info.			
Bridge Sheet No.	49912FSD1	Sheet	14 of 34

VANASSE HANGEN BRUSTLIN, INC.