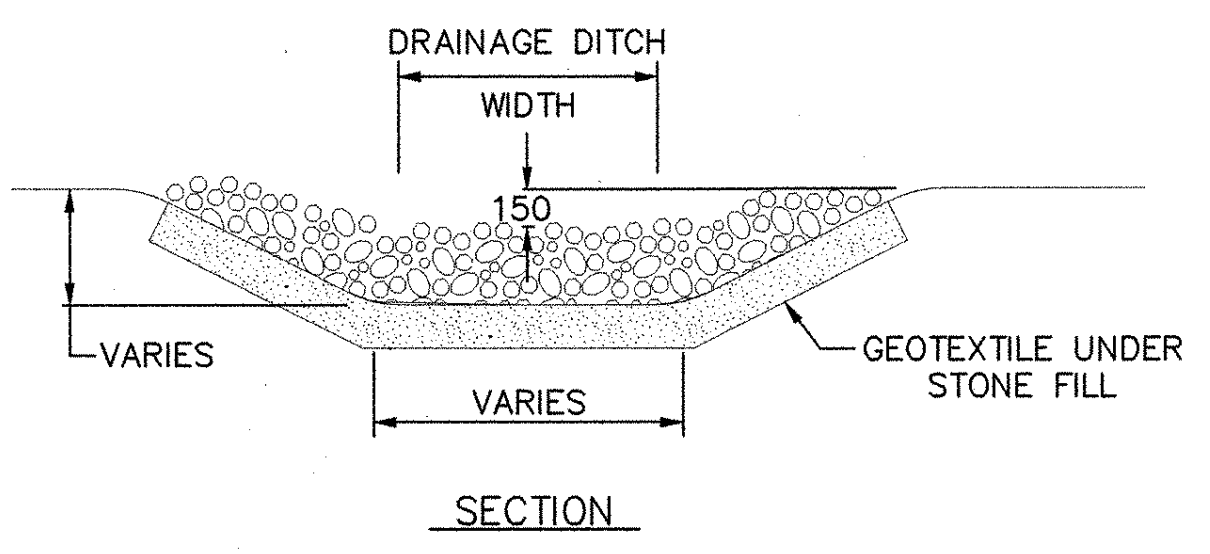
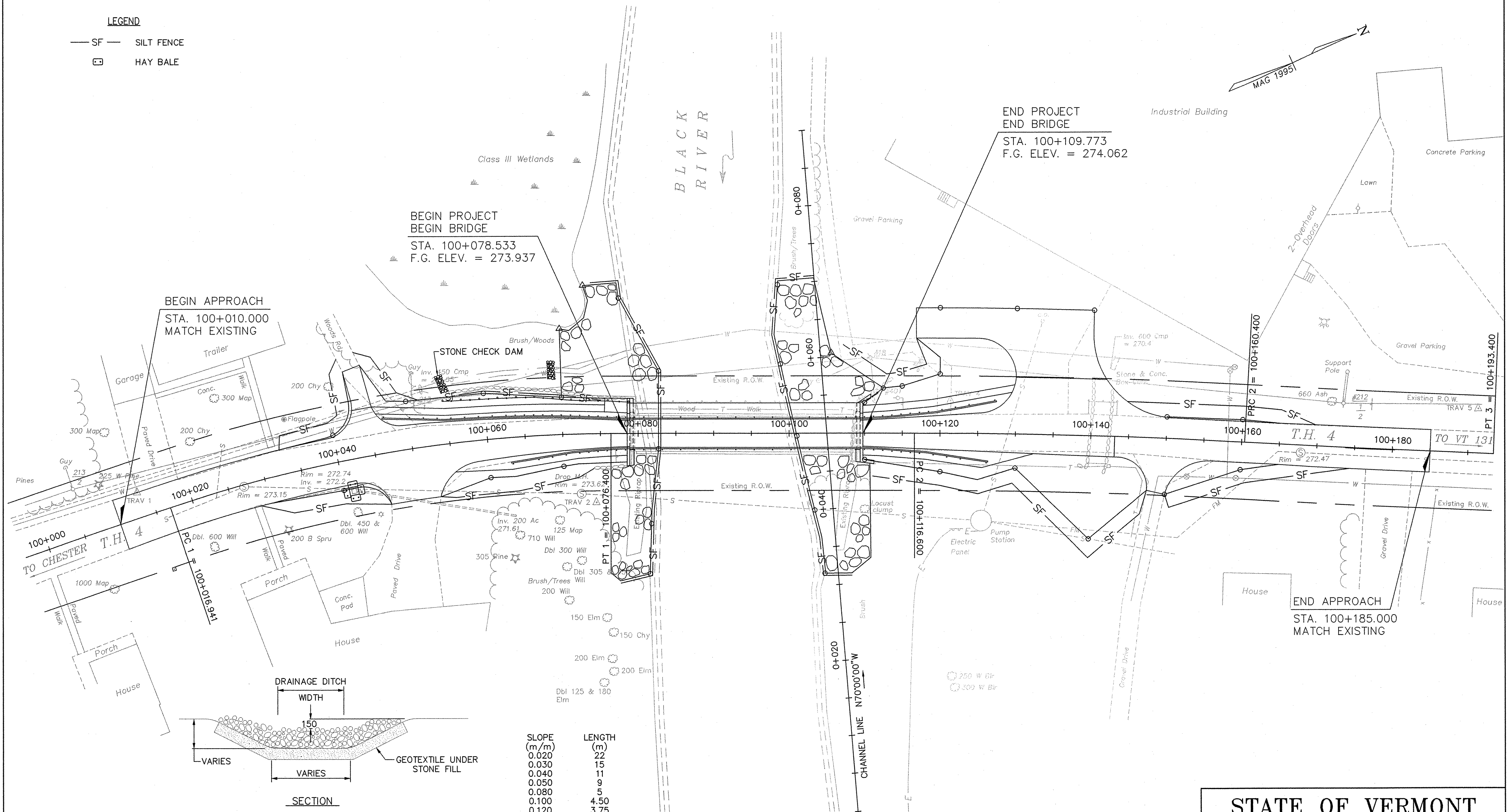
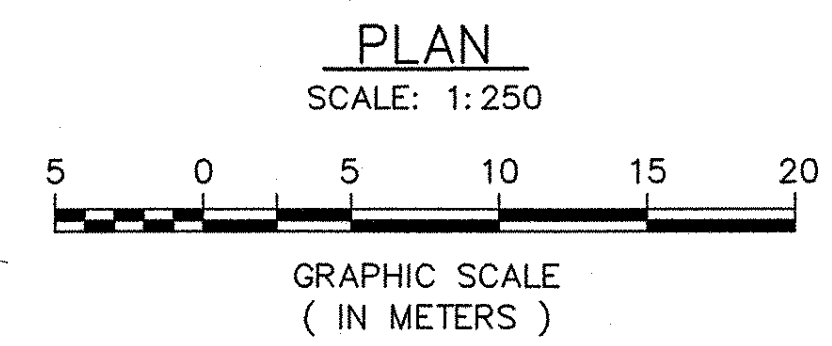
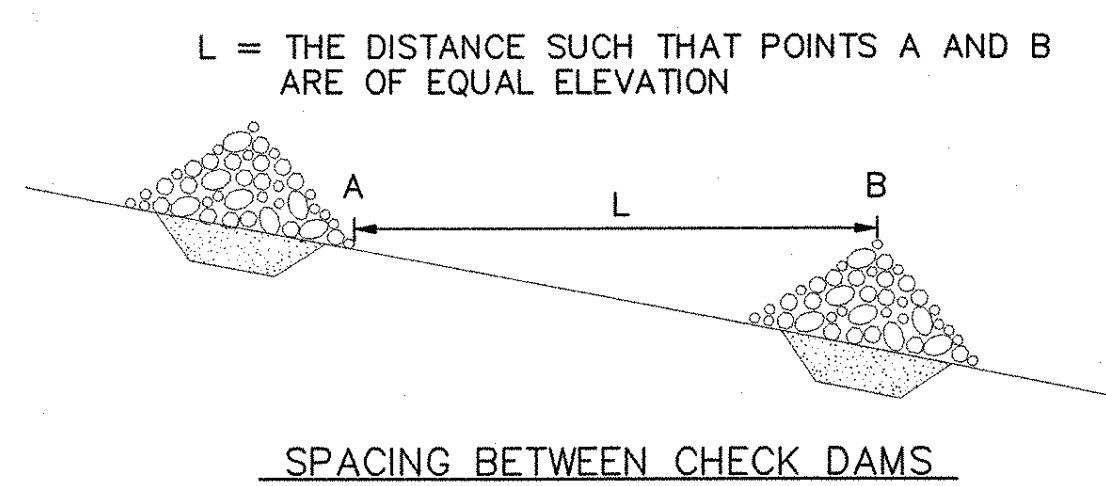
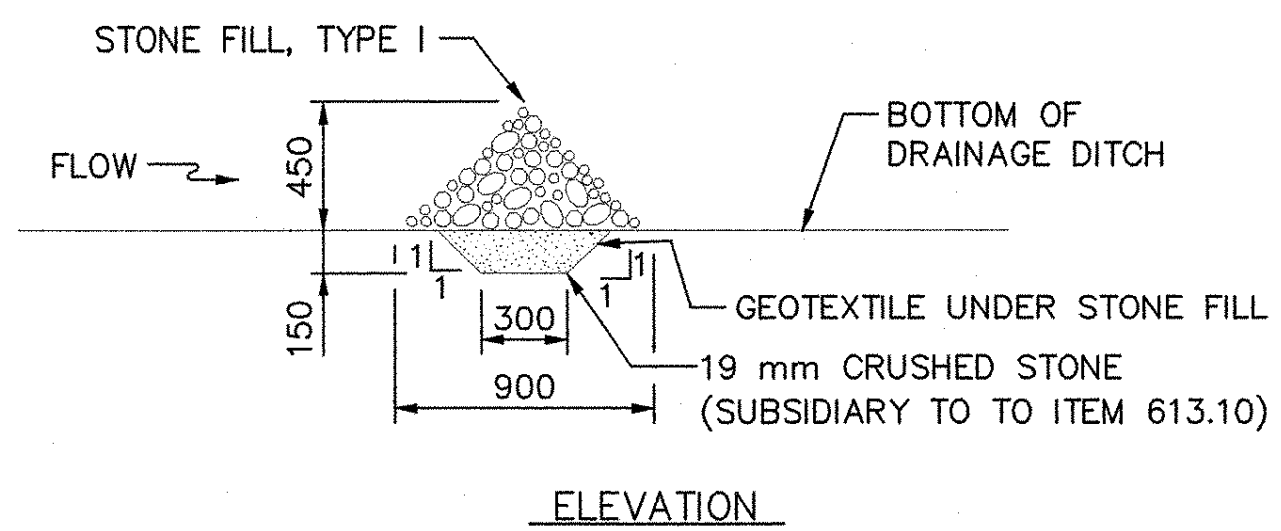


**LEGEND**  
 — SF — SILT FENCE  
 □ HAY BALE



SLOPE (m/m)	LENGTH (m)
0.020	22
0.030	15
0.040	11
0.050	9
0.080	5
0.100	4.50
0.120	3.75
0.150	3



**NOTES:**

1. AN ALTERNATIVE TEMPORARY EROSION CONTROL PLAN MAY BE SUBMITTED BY THE CONTRACTOR FOR APPROVAL BY THE STREAM ALTERATION ENGINEER AND RESIDENT ENGINEER.
2. REFER TO STANDARDS T-1M AND T-2M FOR ADDITIONAL DETAILS.
3. THE CONTRACTOR SHALL USE OTHER TEMPORARY OR PERMANENT EROSION CONTROL MEASURES AS NECESSITATED BY THE SEQUENCE OF CONSTRUCTION OR AS DIRECTED BY THE RESIDENT ENGINEER. SEE SECTION 105.23.

**STATE OF VERMONT  
 AGENCY OF TRANSPORTATION**

Town Of	CAVENDISH	Bridge No.	12
Highway No.	T.H. 4	Log Sta.	
		Surv. Sta.	
T.H. 4 OVER BLACK RIVER			
<b>EROSION CONTROL PLAN</b>			
Designed By	S.M. GUNN	Drawn By	R.F. CLARK
Checked By	Date	Bridge Design Supervisor	
T.S. BRYANT	1/04	S.W. JOHNSON	Date 1/04
PROJECT	CAVENDISH	PROJECT NO.	BHO 1442 (22)
I.G.C. Info.			
Bridge Sheet No.	49912ER0	Sheet	10 of 34

VANASSE HANGEN BRUSTLIN, INC.