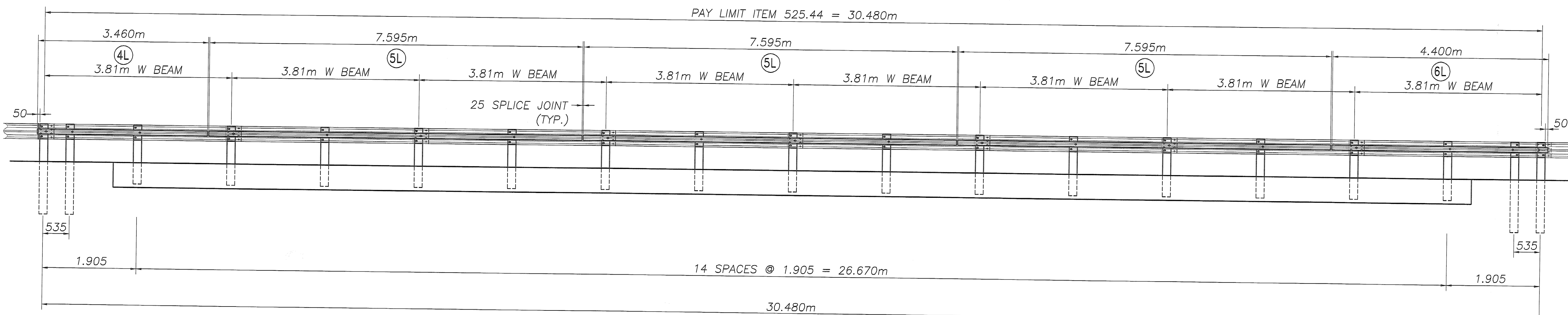
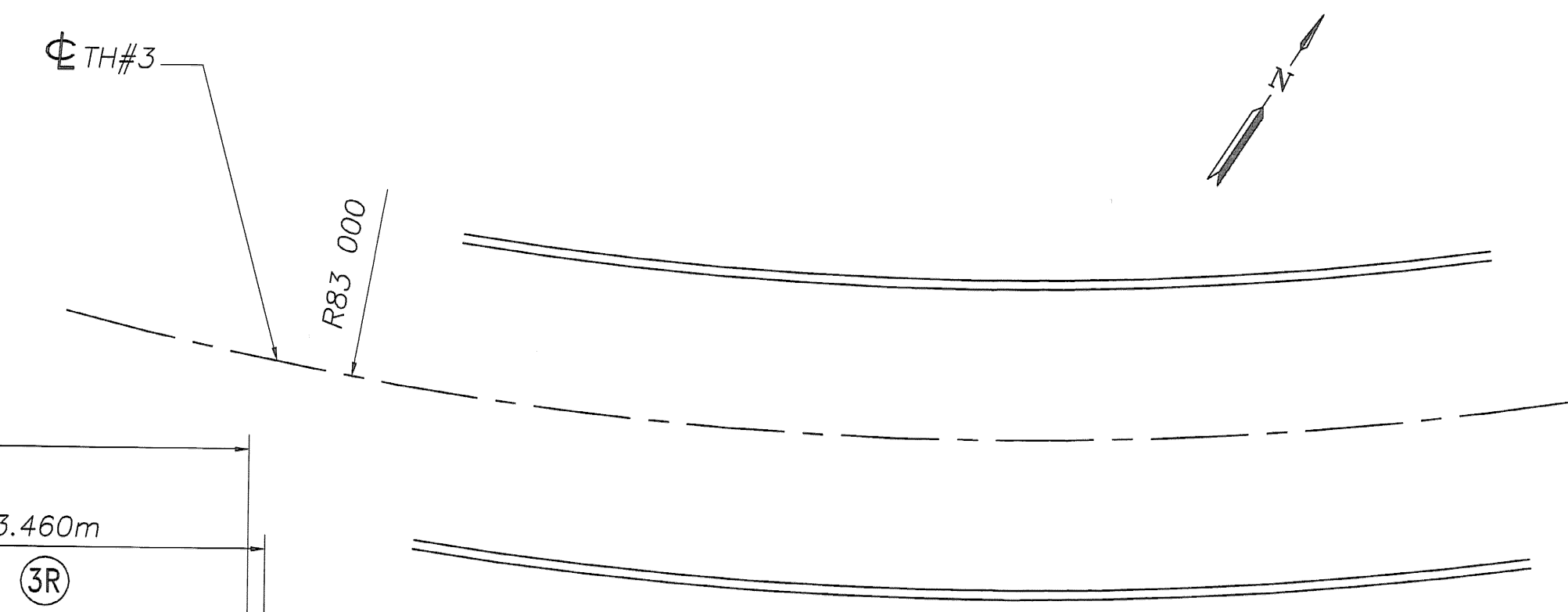


NORTHWEST RAIL ELEVATION
(CONVEX CURVE)



SOUTHEAST RAIL ELEVATION
(CONCAVE CURVE)



RECORD PLANS

VTRANS RECEIVED

OK'D BY: G. Key 8/21/06

AUG 18 2006

RESUBMIT _____ APPROVED _____

BY _____ DATE _____

BILL OF MATERIAL (BOTH SIDES OF BRIDGE)

Mark#	Qty.	Description	Size/Shape	Length	Material
29		fascia mounted post	W200 x 35.9	1190	AASHTO M223
74		blackout tube	TS 203x102x4.8	150	AASHTO M223
8		driven post	W200 x 35.9	1828	AASHTO M223
37		hex bolt w/ nut & 2 flat washers	M16	330	M164M type 1
37		hex bolt w/ hx nut, flat washer & special washer	M16	250	M164M type 1
74		hex bolt w/ 2 flat washers & hex nut	M16	50	M164M type 1
1R	1	curved tube (79.62m radius convex)	TS 203x102x4.8	2496	A500 gr B
2R	3	curved tube (79.62m radius convex)	TS 203x102x4.8	7595	A500 gr B
3R	1	curved tube (79.62m radius convex)	TS 203x102x4.8	3460	A500 gr B
4L	1	curved tube (86.38m radius concave)	TS 203x102x4.8	3460	A500 gr B
5L	3	curved tube (86.38m radius concave)	TS 203x102x4.8	7595	A500 gr B
6L	1	curved tube (86.38m radius concave)	TS 203x102x4.8	4400	A500 gr B
		w beam	1.905m		M180 B2
15		w beam	3.810m		M180 B2
128		w beam splice bolt w/ DR nut	M16	.32	M164M type 1
8		splice channel	C180 x 18.2	790	AASHTO M223
32		hex bolt w/ flat washer & welded heavy hex nut	M16	50	M164M type 1
ANCHORS (by others)					
58		anchor u bolt w/ 4 hex nuts and 2 flat washers	25 x 250	305	AASHTO M223
116		plate washer	PL 6x35	-130	AASHTO M223

PAY LIMIT ITEM 525.44 = 60m

NOTE:
W-BEAMS ARE PROVIDED STRAIGHT, THEY
WILL FLEX ALONG REQUIRED CURVE.

REVISIONS		
No.	Remarks	Date
0	Initial submittal	08/01/06

HIGHWAY SAFETY CORP.
GLASTONBURY, CT

ITEM 525.44 BRIDGE RAILING HDSB
FASCIA MOUNTED STEEL TUBING
TOWN OF SUNDERLAND, VERMONT
RTE.: TH3, CLASS 2 F.A.S. 114, MAJOR CONNECTOR
PROJECT NO. BRF 0114(2) BRIDGE NO. 14

DRAWN: MHM
CHECKED: _____
DATE: 7/31/06
SCALE: NTS
HSC REFERENCE NO.: 1565
SIZE: D REVISION: 0
SHEET NO.: 1 of 2

GENERAL CONTRACTOR: _____
SUB CONTRACTOR: F.R. LAFAYETTE, INC.

