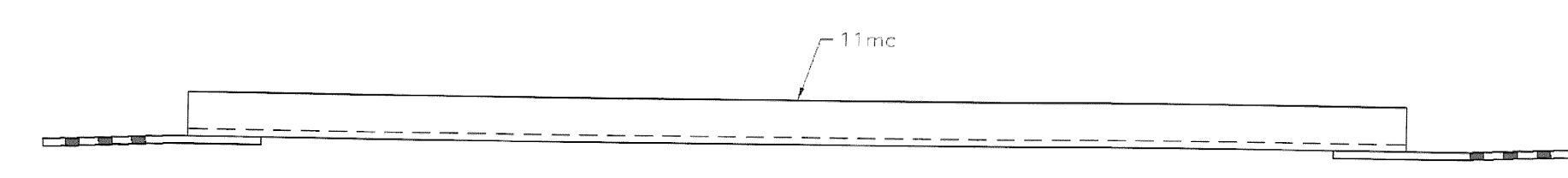
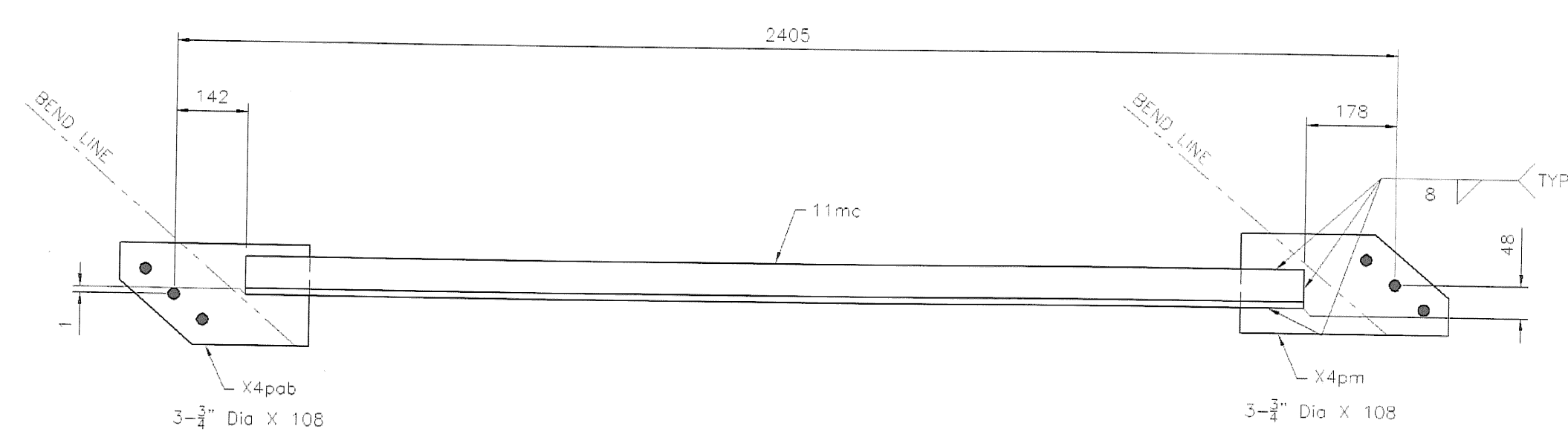
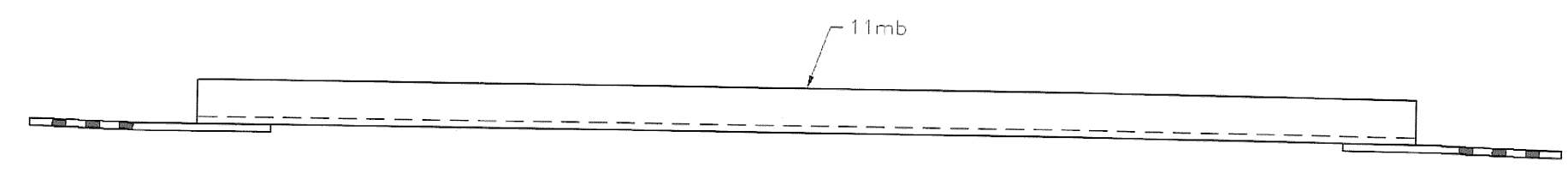
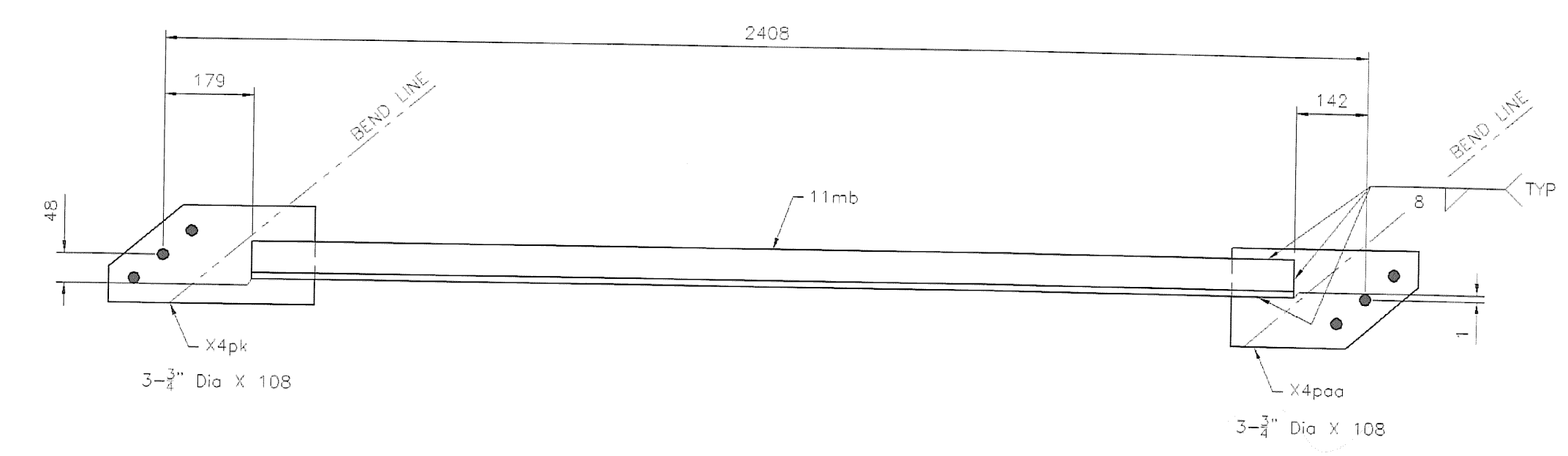


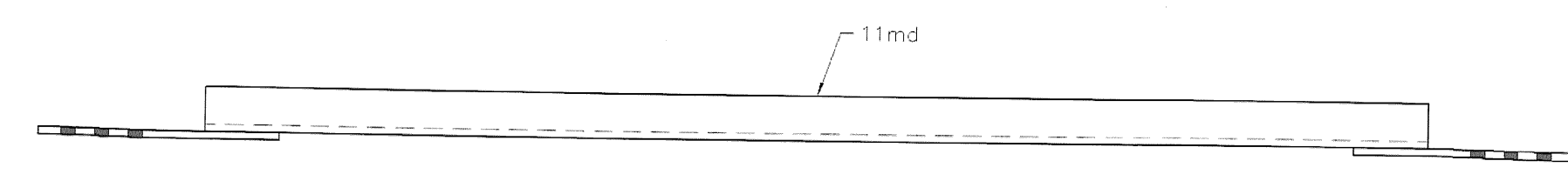
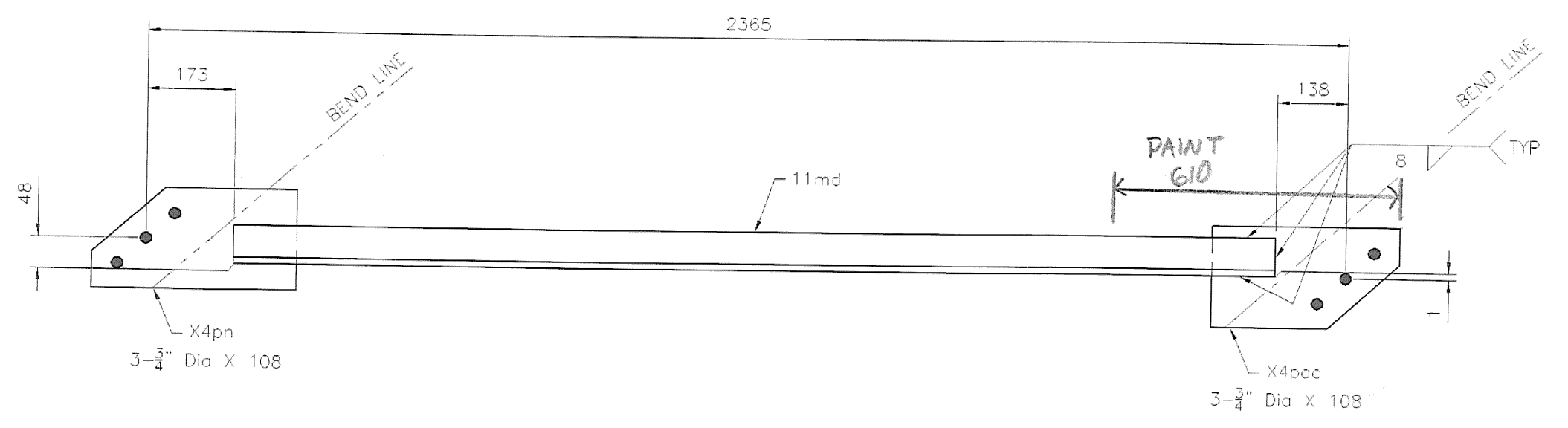
ONE HORIZONTAL BRACING LB11A



ONE HORIZONTAL BRACING LB11C



ONE HORIZONTAL BRACING LB11B



ONE HORIZONTAL BRACING LB11D

SHOP BILL

LINE	MARK	NUMBER	SECTION	FINISHED LENGTH	ITEM NO.	REMARKS	Weight lbs
1	LB11A	1	BRACING				45
2	11mo	1	L 76x76x13	2091			29
3	X4ph	1	PL 13x197	410			8
4	X4py	1	PL 13x198	373			8
5	FB		FIELD BOLTS				
6	34F108D	6	FB 3/4 A325	108		C/W2 WASHERS	
7	LB11B	1	BRACING				45
8	11mb	1	L 76x76x13	2087			29
9	X4pk	1	PL 13x196	411			8
10	X4pob	1	PL 13x198	374			8
11	FB		FIELD BOLTS				
12	34F108D	6	FB 3/4 A325	108		C/W2 WASHERS	
13	LB11C	1	BRACING				45
14	11mc	1	L 76x76x13	2085			29
15	X4pm	1	PL 13x197	411			8
16	X4pob	1	PL 13x198	373			8
17	FB		FIELD BOLTS				
18	34F108D	6	FB 3/4 A325	108		C/W2 WASHERS	
19	LB11D	1	BRACING				45
20	11md	1	L 76x76x13	2053			29
21	X4pn	1	PL 13x199	405			8
22	X4pac	1	PL 13x200	369			8
23	FB		FIELD BOLTS				
24	34F108D	6	FB 3/4 A325	108		C/W2 WASHERS	
25							
26							
27							
28							
29							
30							
31							
32							
33							
34							
35							
36							
37							
38							
39							
40							
41							
42							
43							
44							
45							
46							
47							
48							
49							
50							

ALL MATERIAL (EXCEPT BOLTS) TO BE ASTM: A709M-50W
 ALL WELDS TO BE MADE WITH ELECTRODES SERIES E6XX
 OPEN HOLES ARE FOR H.S. BOLTS AND ARE TO BE FREE OF BURRS AND SCALE
 BOLTS: 7/8" M 16MM TYPE III OPEN HOLES: 3/4" UN PAINT: SEE GX-1

International Bridge & Iron Co.
 90 Day Street
 Newington, CT. 06111

VERMONT DOT
 SUNDERLAND BRIDGE
 FED. AID PROJ. NO.: BRF-0114 (2)
 CONTRACTOR: PETRICCA CONSTRUCTION CORP.
 ENGINEER: ROGER WHITCOMB

For Approval	Revised	Issue to Shop	HORIZONTAL BRACING		
			Contract	Sheet	Dwg. Number
			606		11

RECEIVED
 OK'D BY *ML* OK'D BY *DRP*
 MAR 07 2007
 RESUBMIT APPROVED *AS NOTED*
 BY *CWE* DATE *3/30/07*