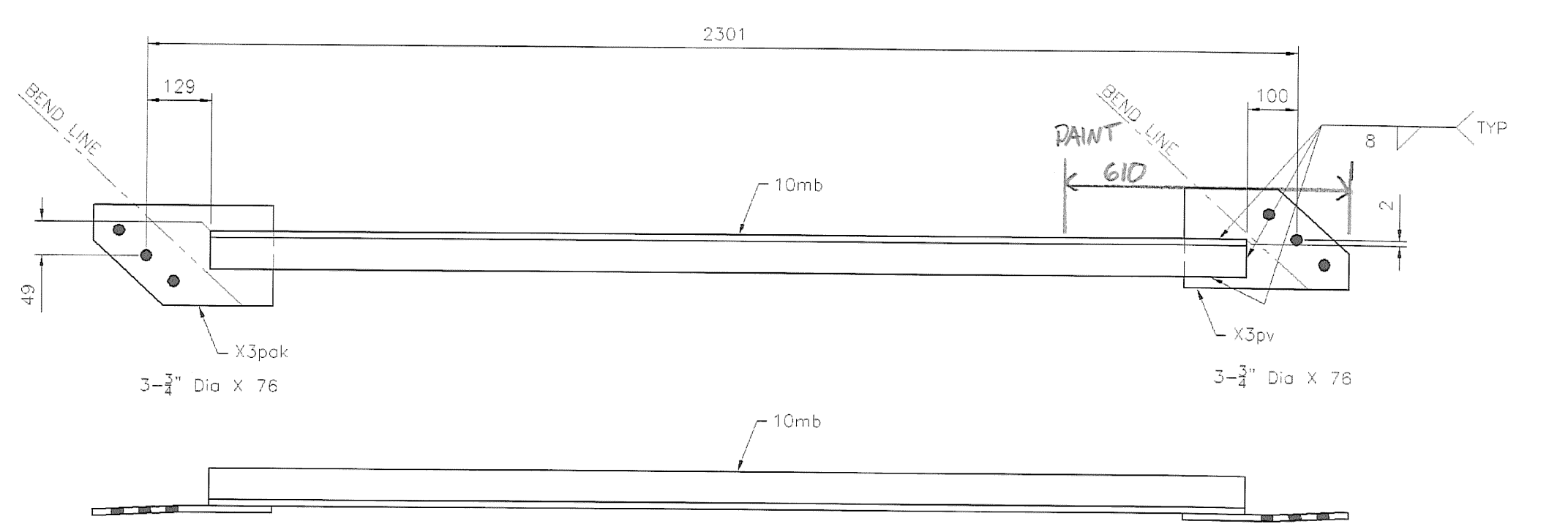
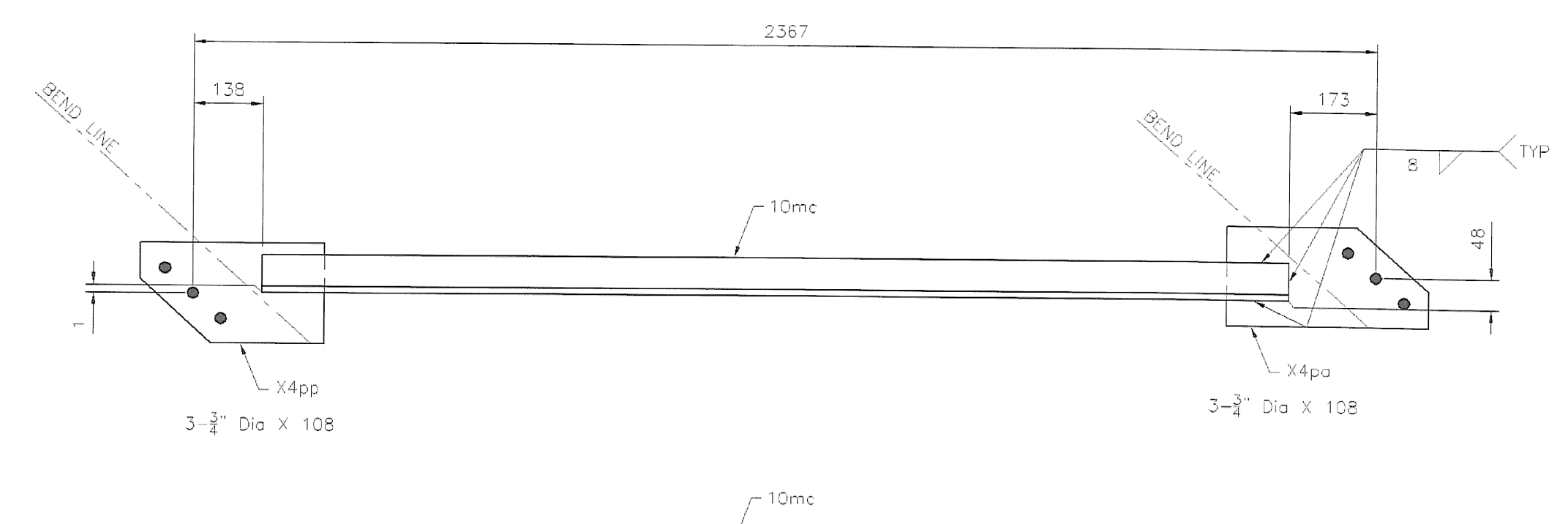


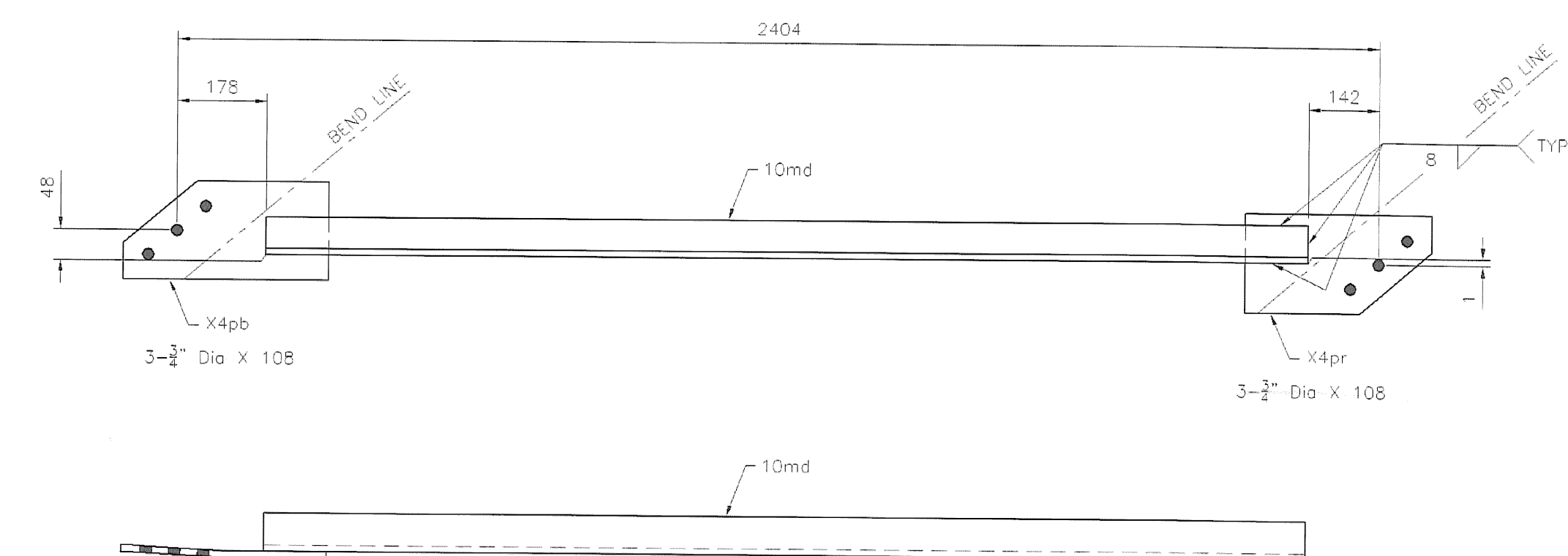
ONE HORIZONTAL BRACING LB10A



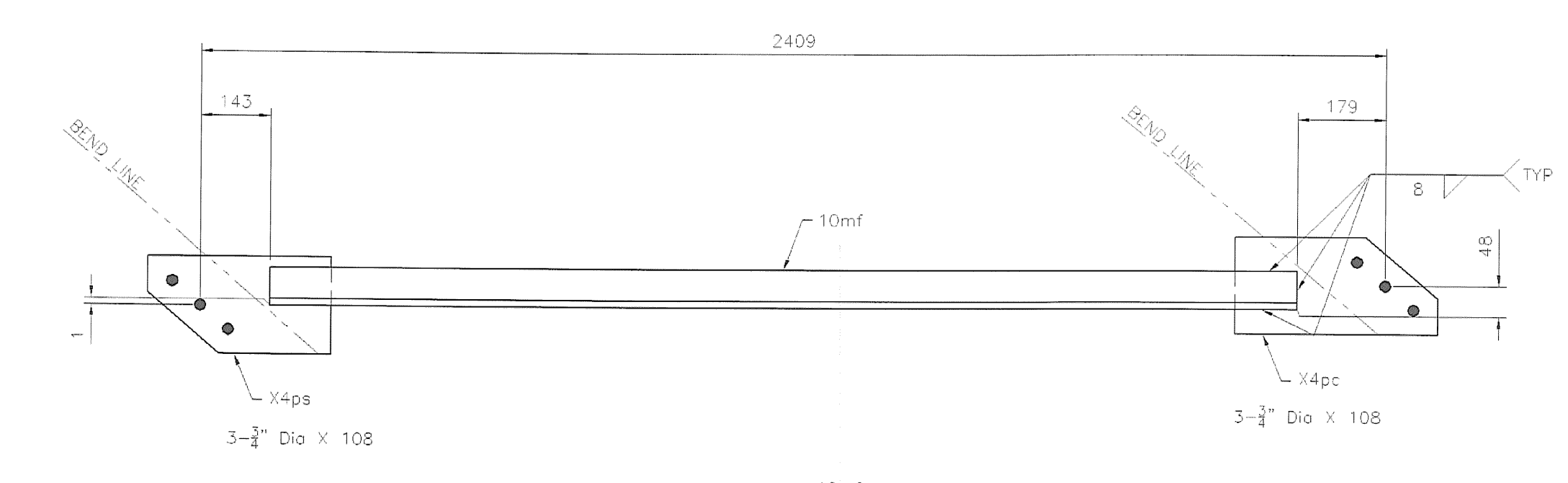
ONE HORIZONTAL BRACING LB10B



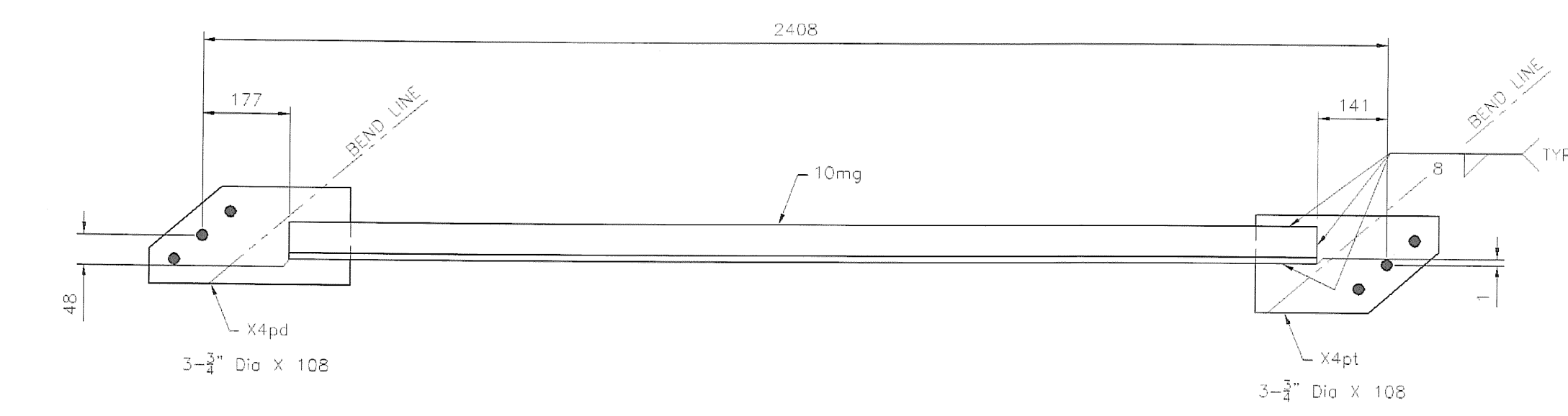
ONE HORIZONTAL BRACING LB10C



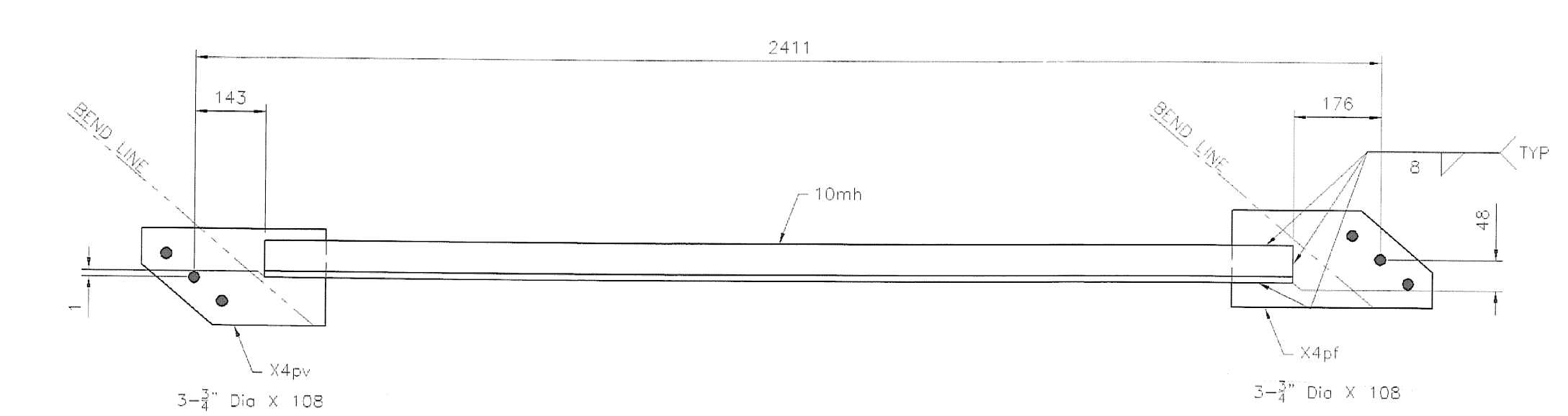
ONE HORIZONTAL BRACING LB10D



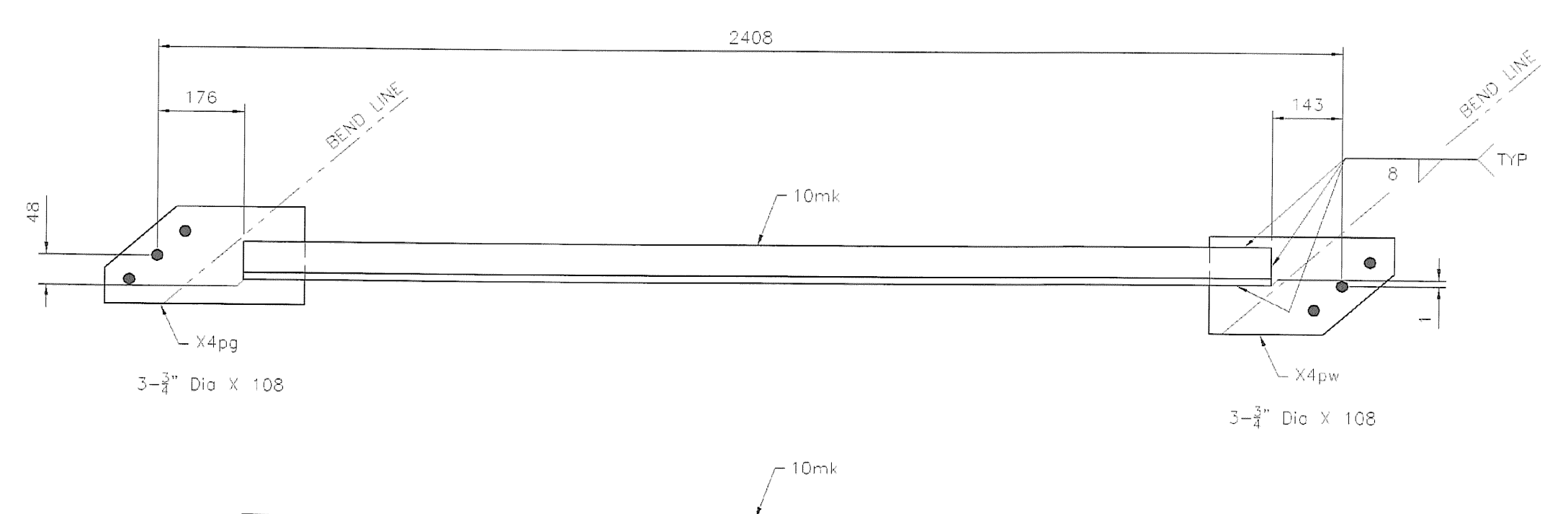
ONE HORIZONTAL BRACING LB10F



ONE HORIZONTAL BRACING LB10G



ONE HORIZONTAL BRACING LB10H



ONE HORIZONTAL BRACING LB10K

SHOP BILL										
LINE	MARK	NUMBER	SECTION	FINISHED LENGTH	ITEM NO.	REMARKS	WEIGHT			
1	LB10A	1	BRACING				44			
2	10ma	1	L 76x76x13	2111			30			
3	X3pah	1	PL 13x201	361			7			
4	X3pt	1	PL 13x199	333			7			
5	FB		FIELD BOLTS							
6	3/4F76D	6	FB 3/4 A325	76				C/W2 WASHERS		
7	LB10E	1	BRACING				43			
8	10mb	1	L 76x76x13	2073			29			
9	X3pv	1	PL 13x201	330			7			
10	X3pak	1	PL 13x202	358			7			
11	FB		FIELD BOLTS							
12	3/4F76D	6	FB 3/4 A325	76				C/W2 WASHERS		
13	LB10C	1	BRACING				45			
14	10mc	1	L 76x76x13	2055			29			
15	X4pa	1	PL 13x199	405			8			
16	X4pp	1	PL 13x200	389			8			
17	FB		FIELD BOLTS							
18	3/4F108D	6	FB 3/4 A325	108				C/W2 WASHERS		
19	LB10D	1	BRACING				45			
20	10md	1	L 76x76x13	2084			29			
21	X4pr	1	PL 13x198	373			8			
22	X4pb	1	PL 13x197	411			8			
23	FB		FIELD BOLTS							
24	3/4F108D	6	FB 3/4 A325	108				C/W2 WASHERS		
25	LB10F	1	BRACING				45			
26	10mf	1	L 76x76x13	2088			29			
27	X4pc	1	PL 13x196	412			8			
28	X4ps	1	PL 13x198	374			8			
29	FB		FIELD BOLTS							
30	3/4F108D	6	FB 3/4 A325	108				C/W2 WASHERS		
31	LB10G	1	BRACING				45			
32	10mg	1	L 76x76x13	2090			29			
33	X4pt	1	PL 13x198	373			8			
34	X4pd	1	PL 13x197	409			8			
35	FB		FIELD BOLTS							
36	3/4F108D	6	FB 3/4 A325	108				C/W2 WASHERS		
37	LB10H	1	BRACING				45			
38	10mh	1	L 76x76x13	2091			29			
39	X4pf	1	PL 13x198	408			8			
40	X4pv	1	PL 13x197	375			8			
41	FB		FIELD BOLTS							
42	3/4F108D	6	FB 3/4 A325	108				C/W2 WASHERS		
43	LB10K	1	BRACING				45			
44	10mk	1	L 76x76x13	2089			29			
45	X4pg	1	PL 13x198	400			8			
46	X4pw	1	PL 13x197	375			8			
47	FB		FIELD BOLTS							
48	3/4F108D	6	FB 3/4 A325	108				C/W2 WASHERS		
49										
50										

ALL MATERIAL (EXCEPT BOLTS) TO BE ASTM A709M-50W
 ALL WELDS TO BE MADE WITH ELECTRODES SERIES E70X
 OPEN HOLES ARE FOR H.S. BOLTS AND ARE TO BE FREE OF BURRS AND SCALE
 BOLTS: 7/8" M 16MM TYPE III OPEN HOLES: 24 UN PAINT: SEE C-1

International Bridge & Iron Co.
 90 Day Street
 Newington, C.T. 06111

VERMONT DOT
 SUNDERLAND BRIDGE
 FED. AID PROJ. NO.: BR-014 (2)
 CONTRACTOR: PETRICA CONSTRUCTION CORP.
 ENGINEER: ROGER WHITCOMB

For Approval	Revised	Issue to Shop	HORIZONTAL BRACING
DATE	D.E.	DATE	DATE
		Contract	Sheet
		606	10

RECEIVED
 OK'D BY: *DRP* OK'D BY: *DRP*
 MAR 07 2007
 RESUBMIT APPROVER: *AS NOTED*
 BY: *CWE* DATE: 3/30/07