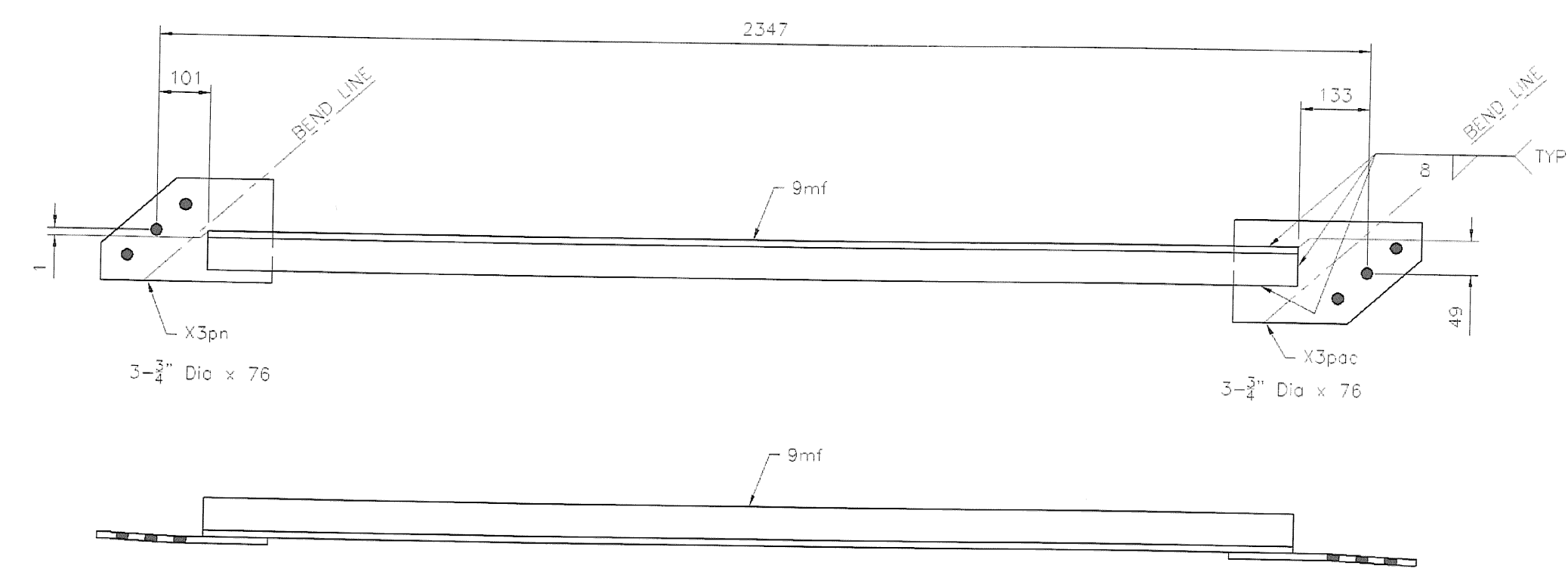
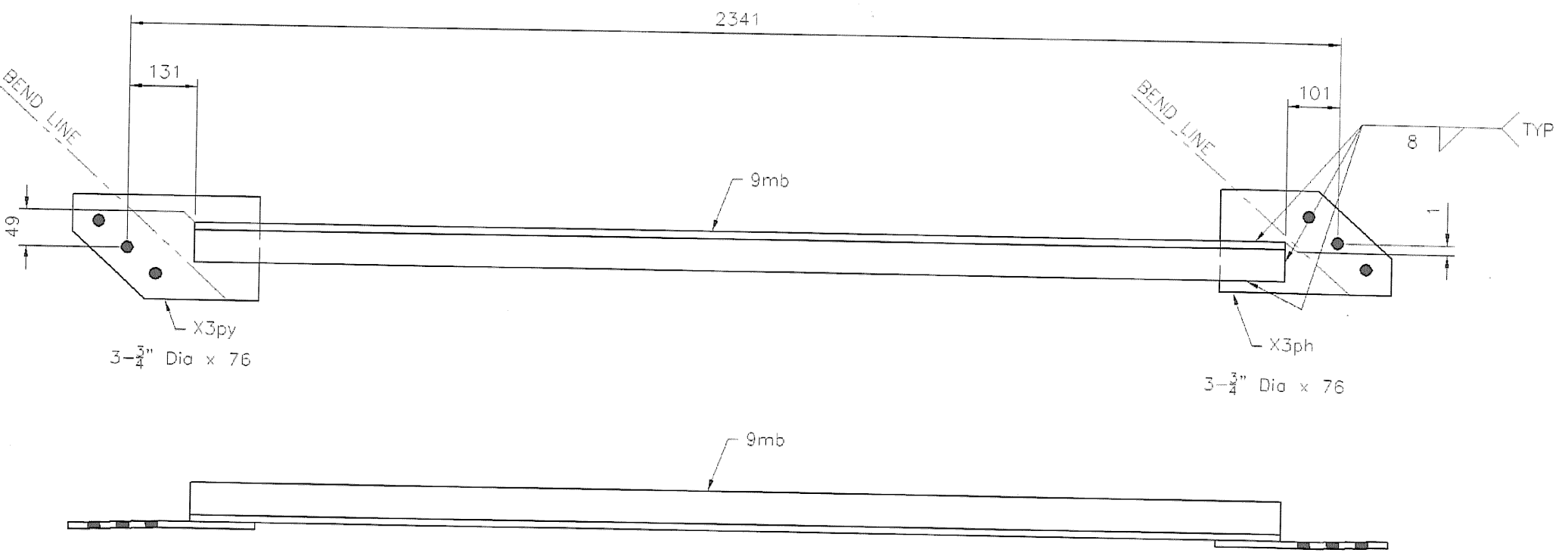


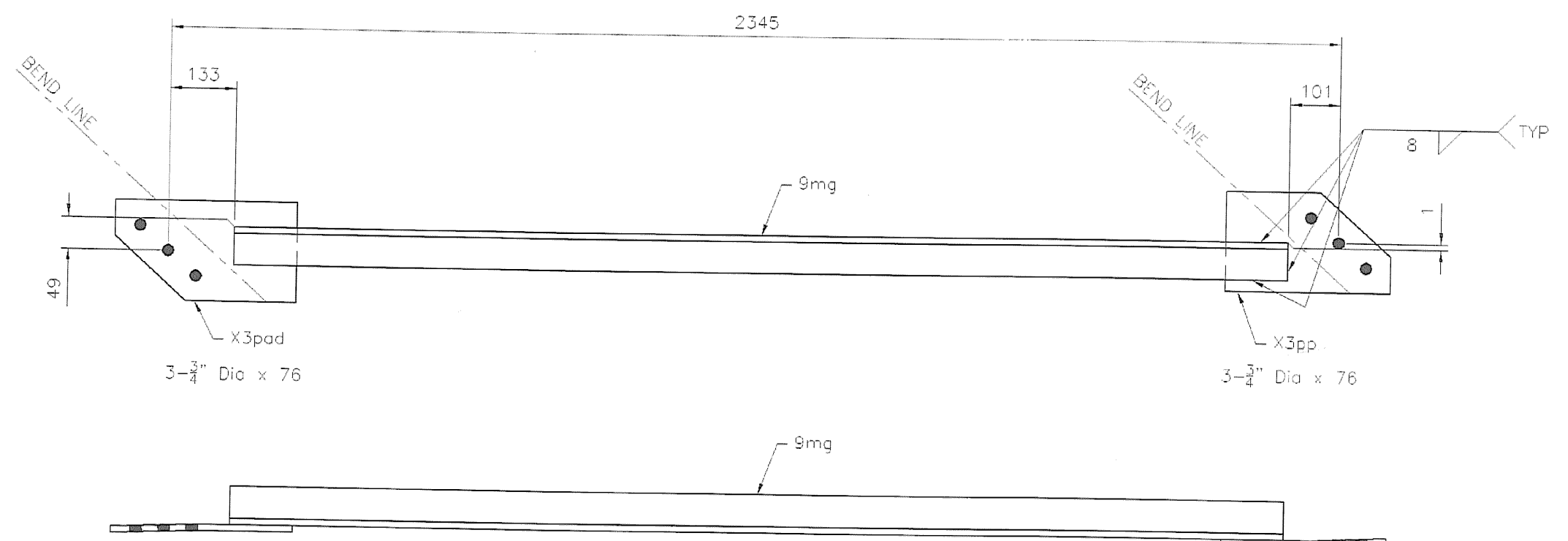
ONE HORIZONTAL BRACING LB9A



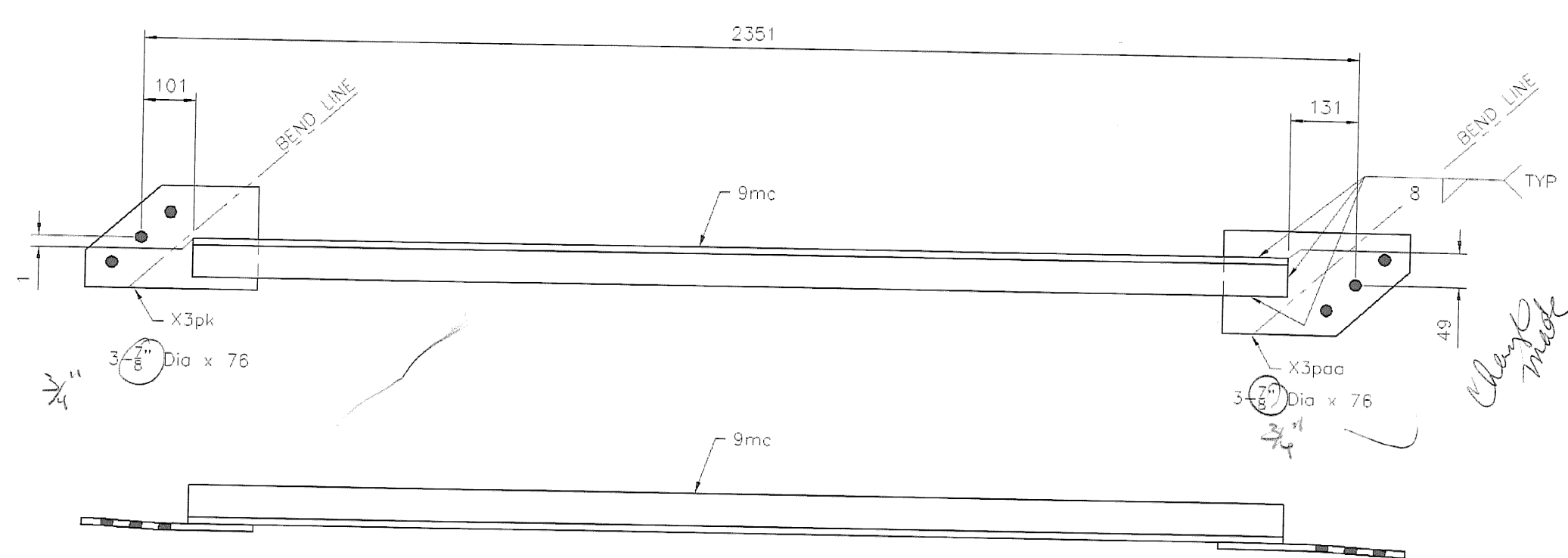
ONE HORIZONTAL BRACING LB9F



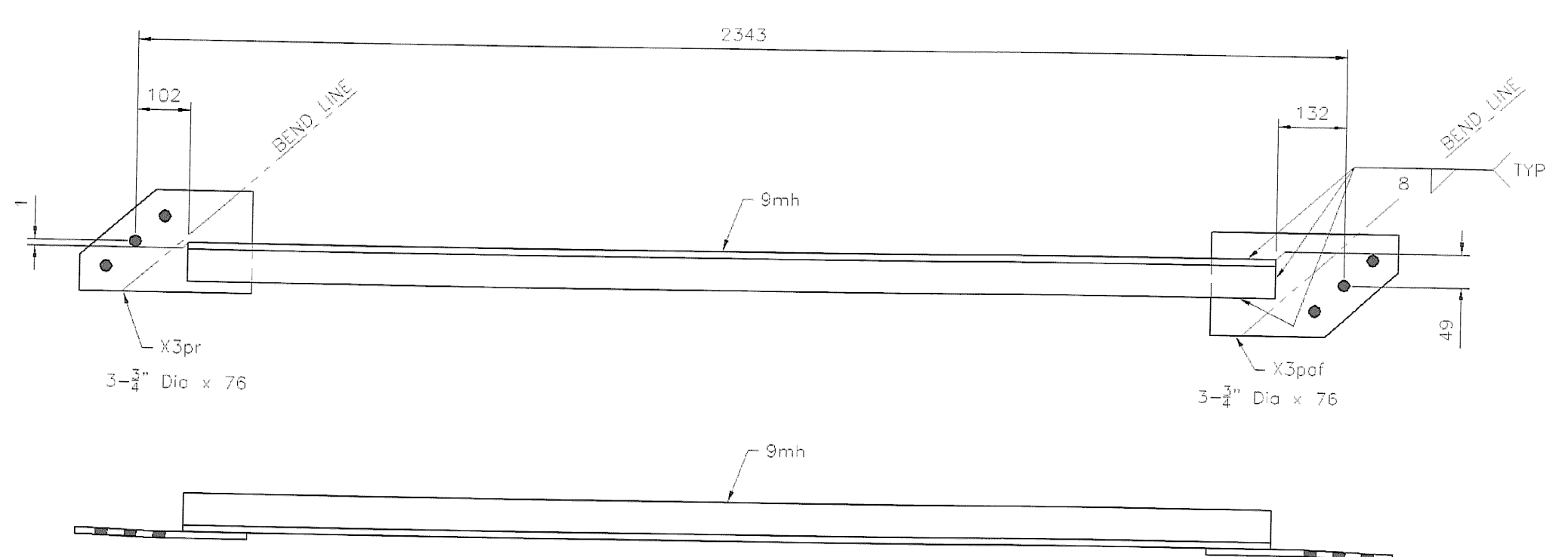
ONE HORIZONTAL BRACING LB9B



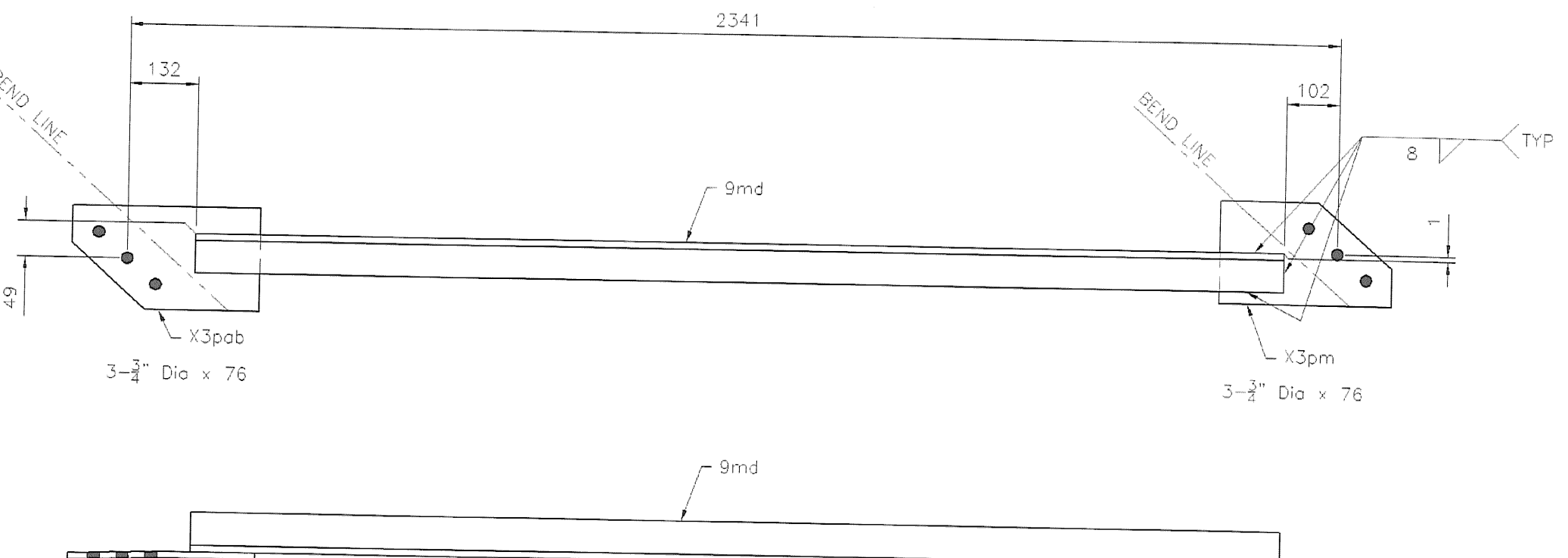
ONE HORIZONTAL BRACING LB9G



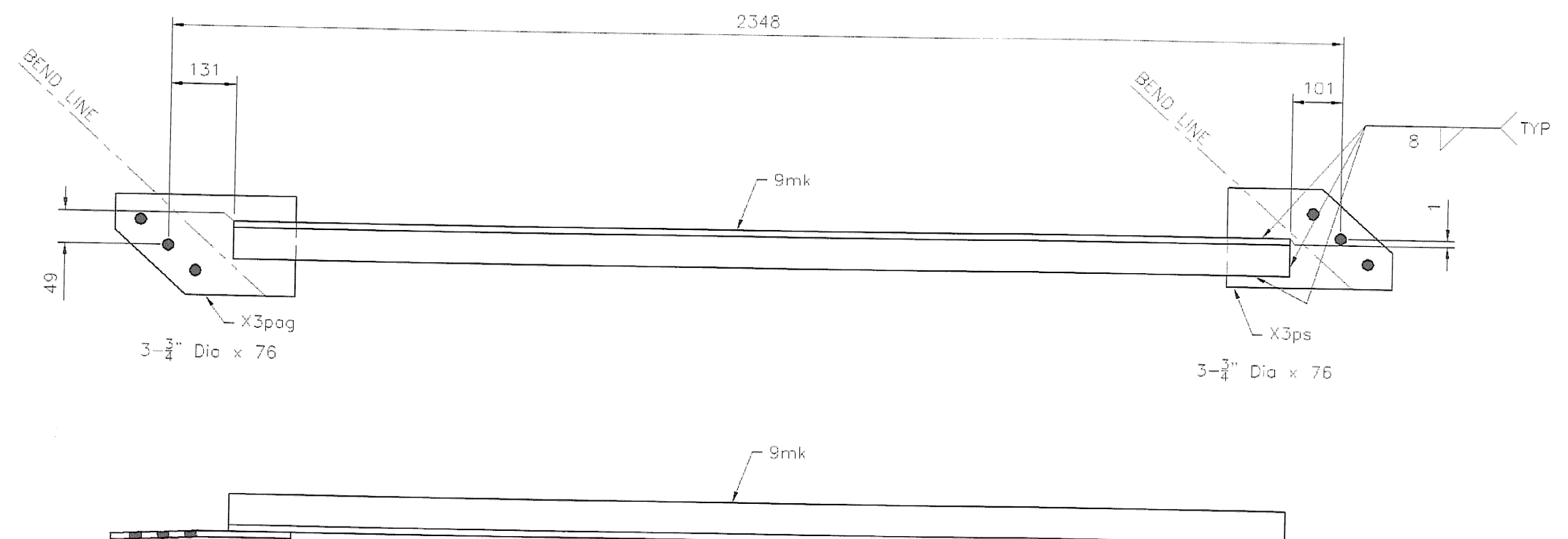
ONE HORIZONTAL BRACING LB9C



ONE HORIZONTAL BRACING LB9H



ONE HORIZONTAL BRACING LB9D



ONE HORIZONTAL BRACING LB9K

SHOP BILL										
LINE	MARK	NUMBER	SHAPE	SECTION	FINISHED LENGTH	ITEM NO.	REMARKS	Weight	lbs	
1	LB9A	1	BRACING						43	
2	9ma	1	L	76x76x13	2075				29	
3	X3pg	1	PL	13x201	331				7	
4	X3pw	1	PL	13x202	358				7	
5	FB			FIELD BOLTS						
6	3/4F76D	6	FB	3/4 A325	76					
7	LB9B	1	BRACING						44	
8	9mb	1	L	76x76x13	2109				30	
9	X3ph	1	PL	13x200	332				7	
10	X3py	1	PL	13x201	361				7	
11	FB			FIELD BOLTS						
12	3/4F76D	6	FB	3/4 A325	76					
13	LB9C	1	BRACING						44	
14	9mc	1	L	76x76x13	2118				30	
15	X3pa	1	PL	13x201	362				7	
16	X3pk	1	PL	13x199	333				7	
17	FB			FIELD BOLTS						
18	3/4F76D	6	FB	3/4 A325	76					
19	LB9D	1	BRACING						43	
20	9md	1	L	76x76x13	2107				29	
21	X3pm	1	PL	13x199	334				7	
22	X3pab	1	PL	13x200	362				7	
23	FB			FIELD BOLTS						
24	3/4F76D	6	FB	3/4 A325	76					
25	LB9F	1	BRACING						44	
26	9mf	1	L	76x76x13	2114				30	
27	X3pac	1	PL	13x200	364				7	
28	X3pn	1	PL	13x200	332				7	
29	FB			FIELD BOLTS						
30	3/4F76D	6	FB	3/4 A325	76					
31	LB9G	1	BRACING						44	
32	9mg	1	L	76x76x13	2111				30	
33	X3pp	1	PL	13x200	331				7	
34	X3pd	1	PL	13x200	364				7	
35	FB			FIELD BOLTS						
36	3/4F76D	6	FB	3/4 A325	76					
37	LB9H	1	BRACING						44	
38	9mh	1	L	76x76x13	2109				30	
39	X3pf	1	PL	13x200	363				7	
40	X3pr	1	PL	13x199	334				7	
41	FB			FIELD BOLTS						
42	3/4F76D	6	FB	3/4 A325	76					
43	LB9K	1	BRACING						44	
44	9mk	1	L	76x76x13	2116				30	
45	X3ps	1	PL	13x199	332				7	
46	X3pag	1	PL	13x201	361				7	
47	FB			FIELD BOLTS						
48	3/4F76D	6	FB	3/4 A325	76					
49										
50										

ALL MATERIAL (EXCEPT BOLTS) TO BE ASTM: A709M-50W
 ALL WELDS TO BE MADE WITH ELECTRODES SERIES E7XX
 OPEN HOLES ARE FOR H.S. BOLTS AND ARE TO BE FREE OF BURRS AND SCALE
 BOLTS: 7/8" M 164M TYPE III OPEN HOLES: 3/16" PAINT: SEE C-1

International Bridge & Iron Co.
 90 Day Street
 Newington, CT. 06111

VERMONT DOT
 SENDERLAND BRIDGE
 FED. AID PROJ. NO.: BR-0114 (2)
 CONTRACTOR: PETRICA CONSTRUCTION CORP.
 ENGINEER: ROGER WHITCOMB

For Approval/Revised/Issue to Shop: _____
 HORIZONTAL BRACING

Drawn by: D.E. Date: 02/21/07
 Contract: _____ Suffix: _____ Dwg. Number: 606

RECEIVED
 CK'D BY: CWC OK'D BY: DRP
 MAR 07 2007
 RESUBMIT: _____ APPROVED: _____
 BY: CWC DATE: 3/30/07