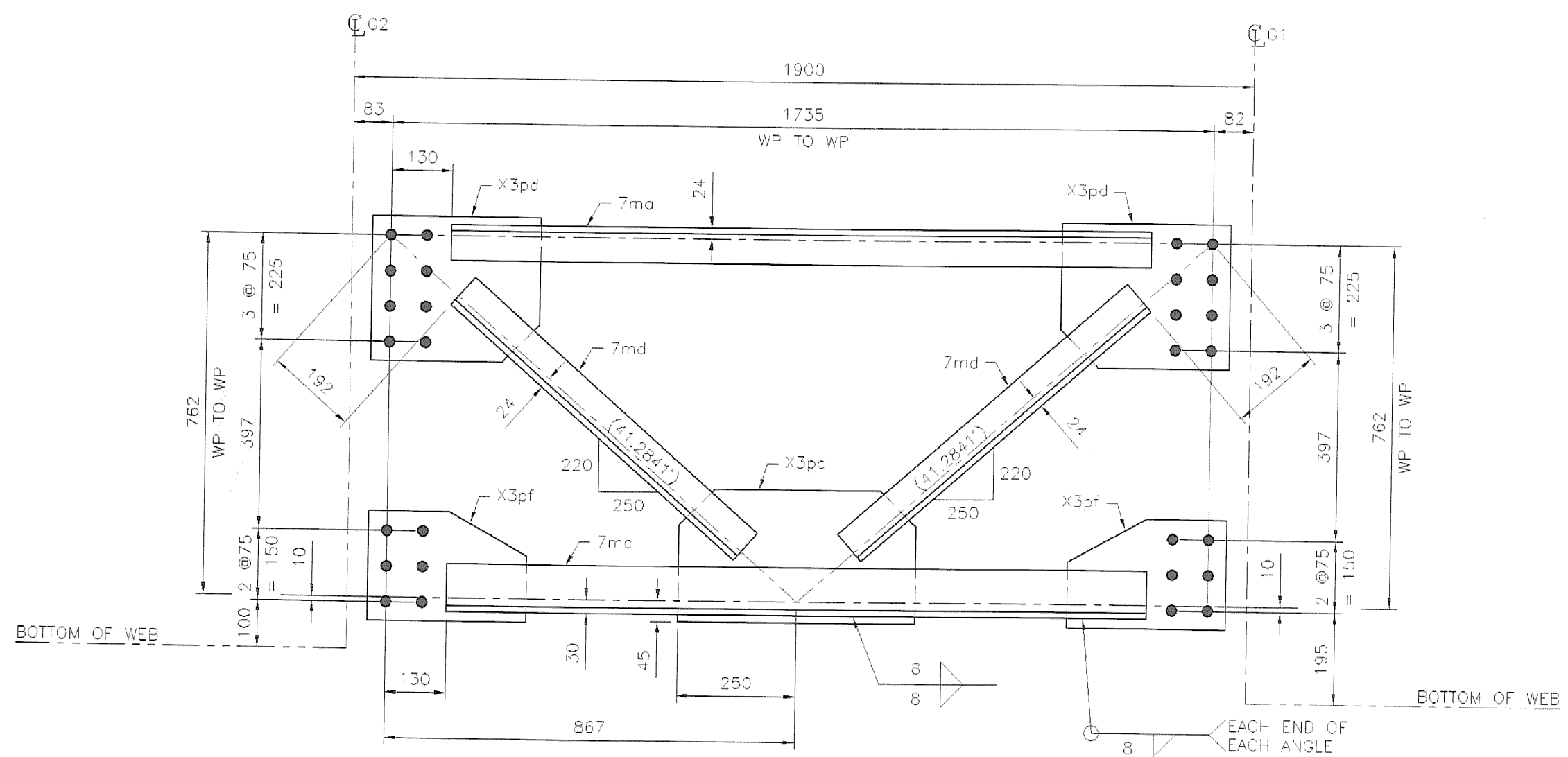
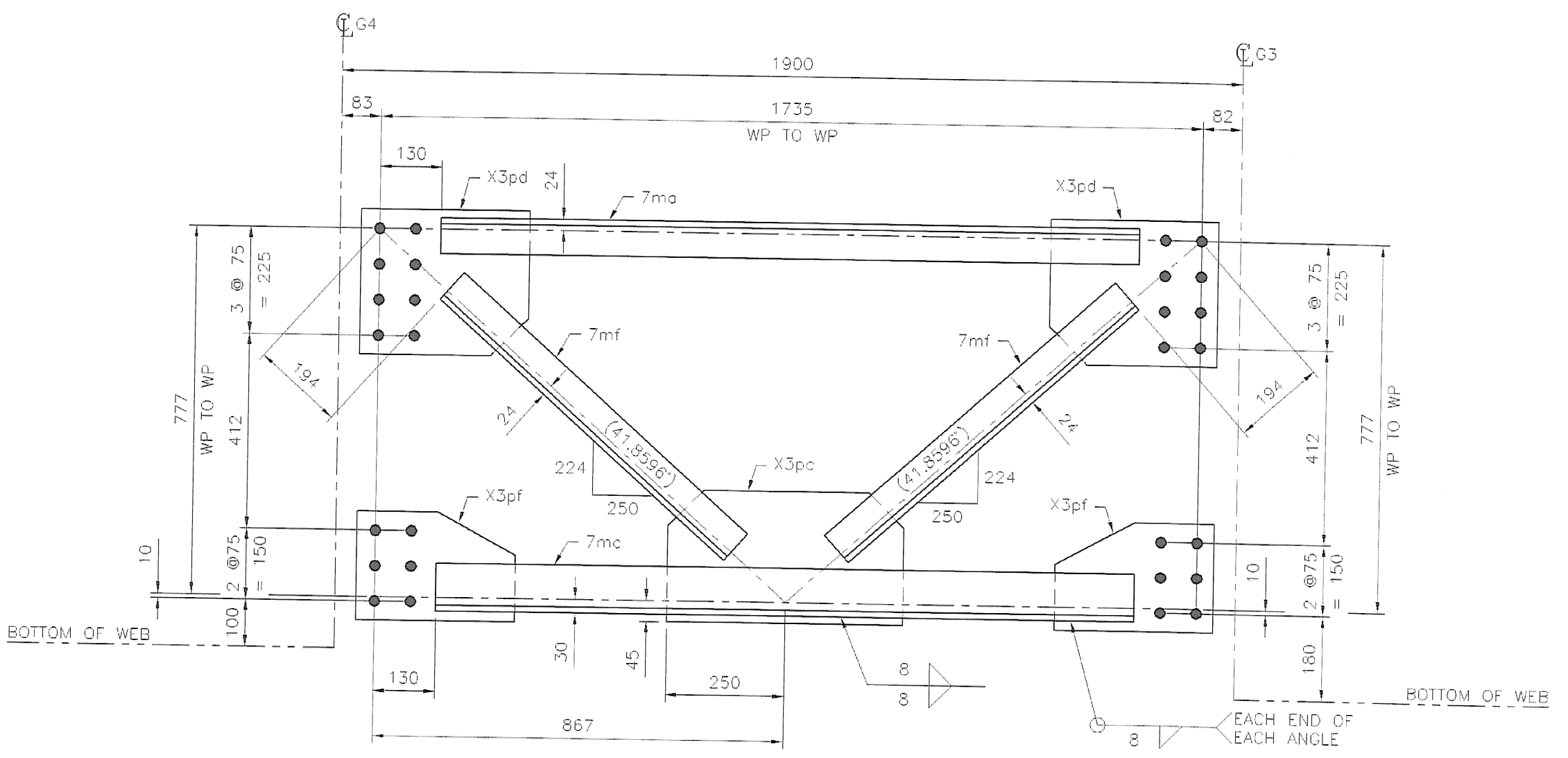


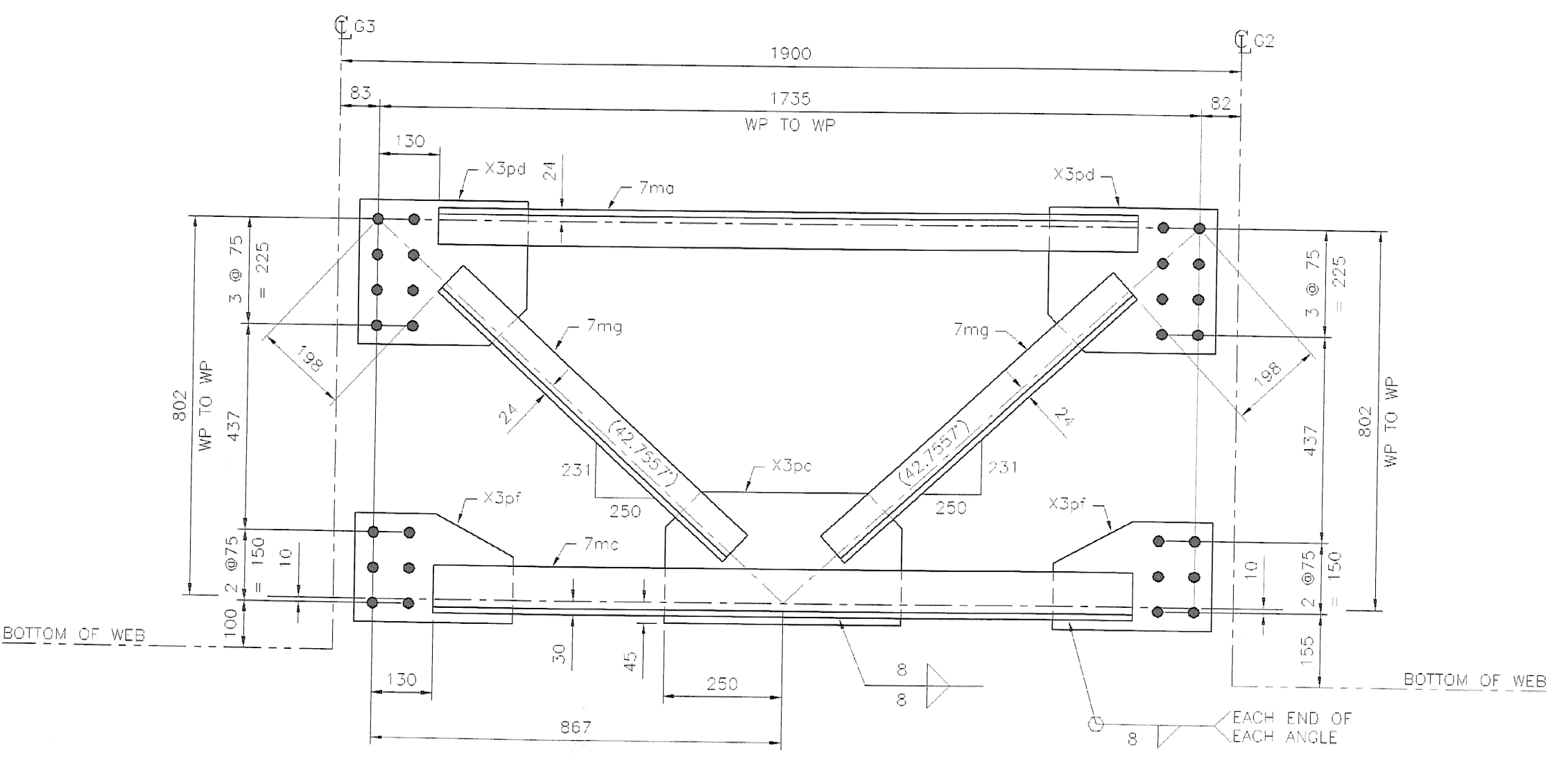
CF7A (1 REQ'D)
SCALE: 1:10



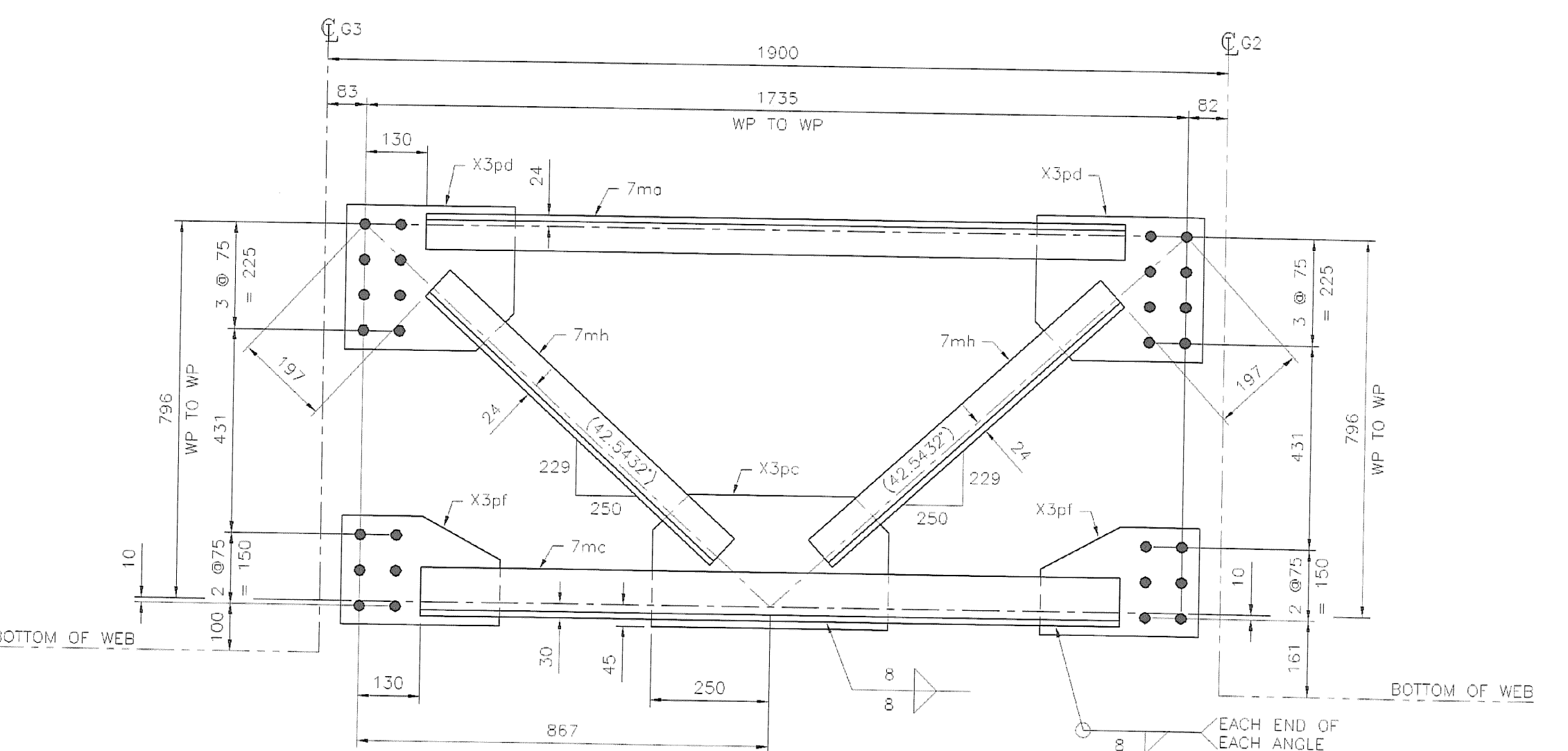
CF7B (2 REQ'D)
SCALE: 1:10



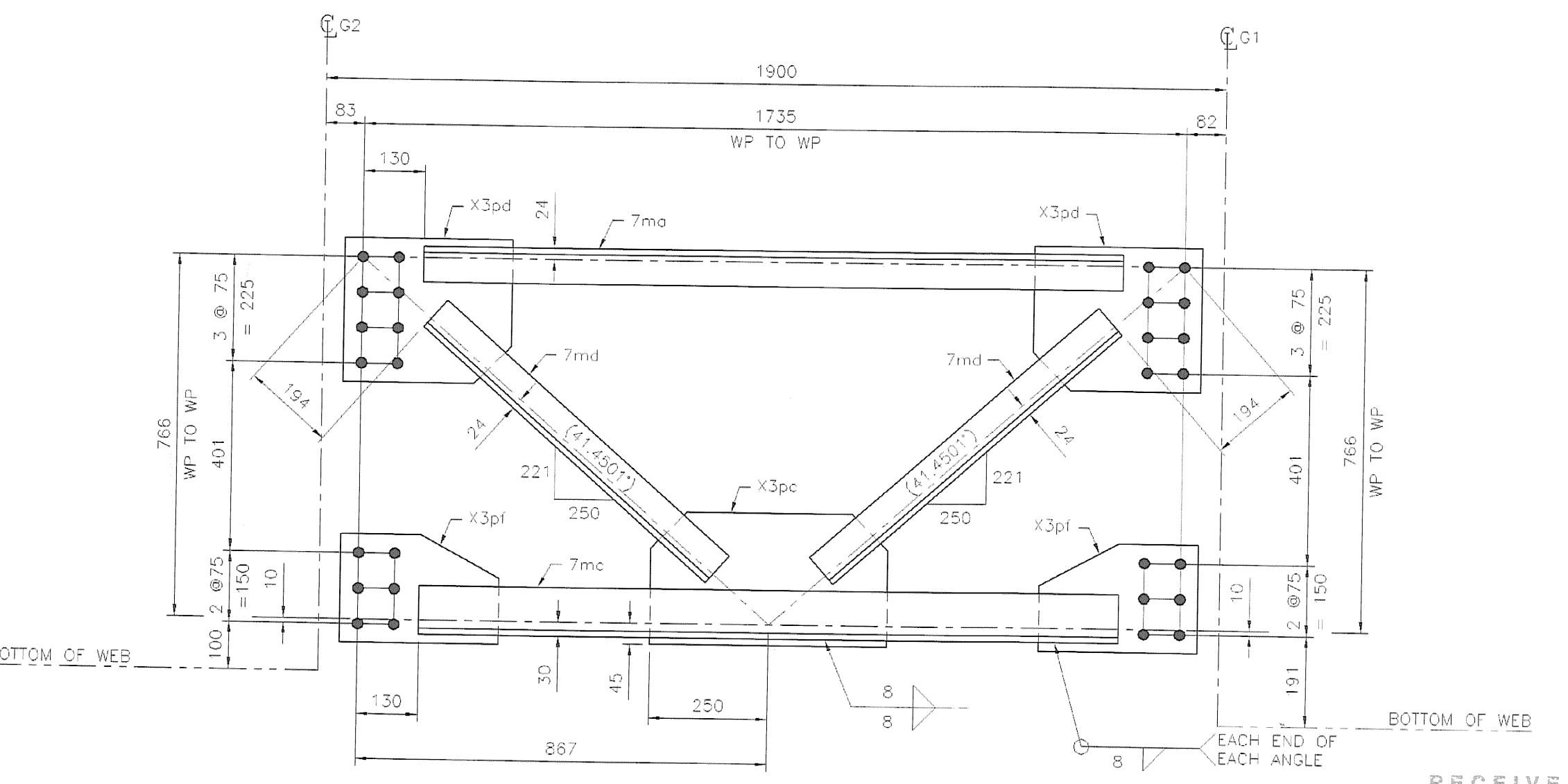
CF7C (3 REQ'D)
SCALE: 1:10



CF7D (1 REQ'D)
SCALE: 1:10



CF7F (1 REQ'D)
SCALE: 1:10



CF7G (1 REQ'D)
SCALE: 1:10

SHOP BILL										
LINE	MARK	NUMBER	SECTION	FINISHED LENGTH	ITEM NO.	REMARKS	WEIGHT			
				mm			lbs			
1	CF7A	1				TOTAL WEIGHT:	124			
2	7ma	1	L 76x76x13	1476		CWN	21			
3	7mb	2	L 76x76x13	835		CWN	23			
4	7mc	1	L 102x102x13	1476		CWN	28			
5	X3pc	1	PL 13x280	500			14			
6	X3pd	2	PL 13x305	355			22			
7	X3pd	2	PL 13x230	335			16			
8										
9	CF7B	2				TOTAL WEIGHT:	246			
10	7ma	2	L 76x76x13	1476		CWN	41			
11	7mc	2	L 102x102x13	1476		CWN	56			
12	7md	4	L 76x76x13	804		CWN	45			
13	X3pc	2	PL 13x280	500			29			
14	X3pd	4	PL 13x305	355			44			
15	X3pd	4	PL 13x230	335			31			
16										
17	CF7C	3				TOTAL WEIGHT:	292			
18	7ma	3	L 76x76x13	1476		CWN	63			
19	7mc	1	L 102x102x13	1476		CWN	28			
20	7mf	4	L 76x76x13	813		CWN	46			
21	X3pc	3	PL 13x280	500			43			
22	X3pd	6	PL 13x305	355			66			
23	X3pd	6	PL 13x230	335			47			
24										
25	CF7D	1				TOTAL WEIGHT:	124			
26	7ma	1	L 76x76x13	1476		CWN	21			
27	7mc	1	L 102x102x13	1476		CWN	28			
28	7mg	2	L 76x76x13	830		CWN	23			
29	X3pc	1	PL 13x280	500			14			
30	X3pd	2	PL 13x305	355			22			
31	X3pd	2	PL 13x230	335			16			
32										
33	CF7E	1				TOTAL WEIGHT:	124			
34	7ma	1	L 76x76x13	1476		CWN	21			
35	7mc	1	L 102x102x13	1476		CWN	28			
36	7mh	2	L 76x76x13	826		CWN	23			
37	X3pc	1	PL 13x280	500			14			
38	X3pd	2	PL 13x305	355			22			
39	X3pd	2	PL 13x230	335			16			
40										
41	CF7G	1				TOTAL WEIGHT:	124			
42	7ma	1	L 76x76x13	1476		CWN	21			
43	7mc	1	L 102x102x13	1476		CWN	28			
44	7md	2	L 76x76x13	804		CWN	23			
45	X3pc	1	PL 13x280	500			14			
46	X3pd	2	PL 13x305	355			22			
47	X3pd	2	PL 13x230	335			16			
48										
49										
50										

ALL MATERIAL (EXCEPT BOLTS) TO BE ASTM: A709M-50W
 ALL WELDS TO BE MADE WITH ELECTRODES SERIES E70XX
 OPEN HOLES ARE FOR H.S. BOLTS AND ARE TO BE FREE OF BURRS AND SCALE
 BOLTS: 3/8" M 16MM TYPE III OPEN HOLES: 24 UN PAINT: SEE GC-1

International Bridge & Iron Co.
 90 Day Street
 Newington, CT. 06111

VERMONT DOT
 SUNDERLAND BRIDGE
 FED. AID PROJ. NO.: BRP-0114 (2)
 CONTRACTOR: PETRICA CONSTRUCTION CORP.
 ENGINEER: ROGER WHITCOMB

For Approval/Revised/Issue to Shop INTERIOR CROSSFRAMES
 Drawn by: K.B. Date: 02/14/07 G.D. Date: 02/26/07
 Contract Suffix Dwg. Number
 606 7

RECEIVED
 CWD OK'D BY DRP
 MAR 07 2007
 RESUBMIT APPROVED
 BY cwe DATE 3/30/07