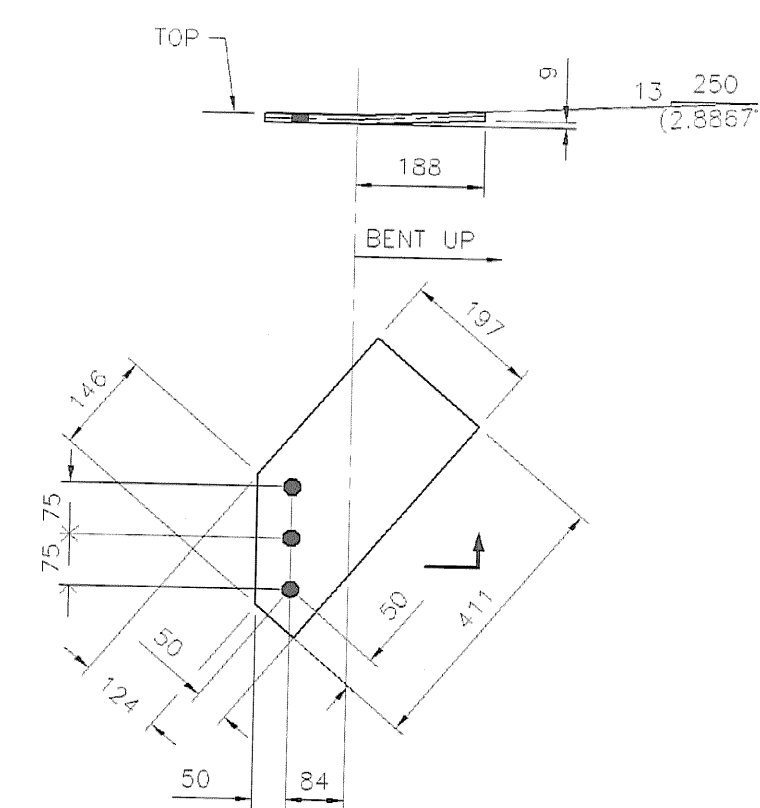
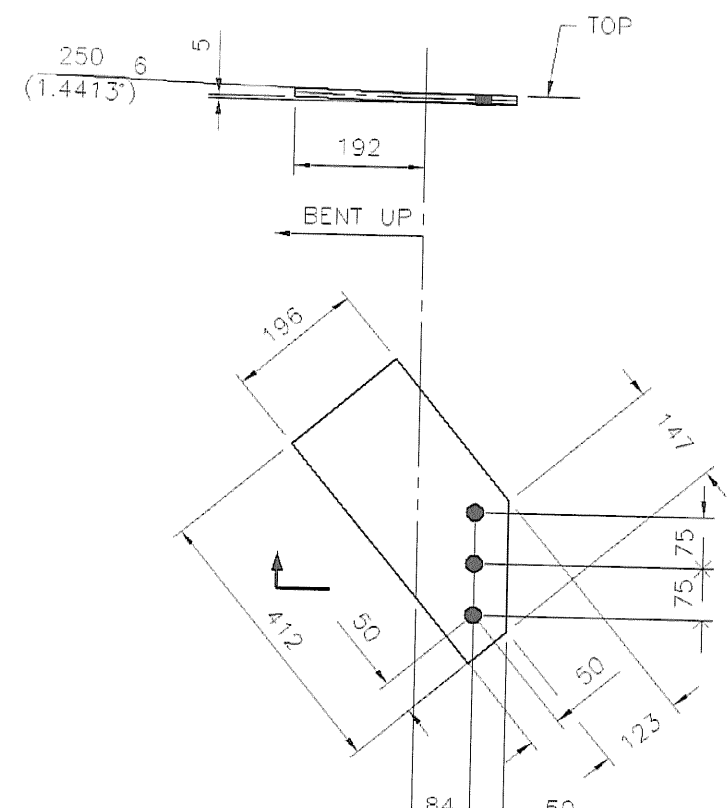


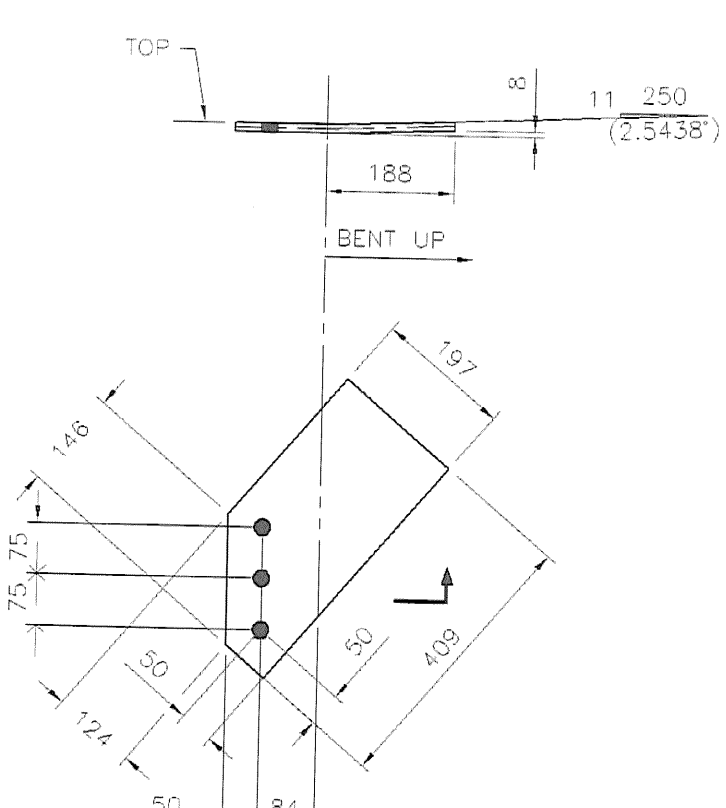
X4pa (PL 13)  
(SCALE: 1:10)



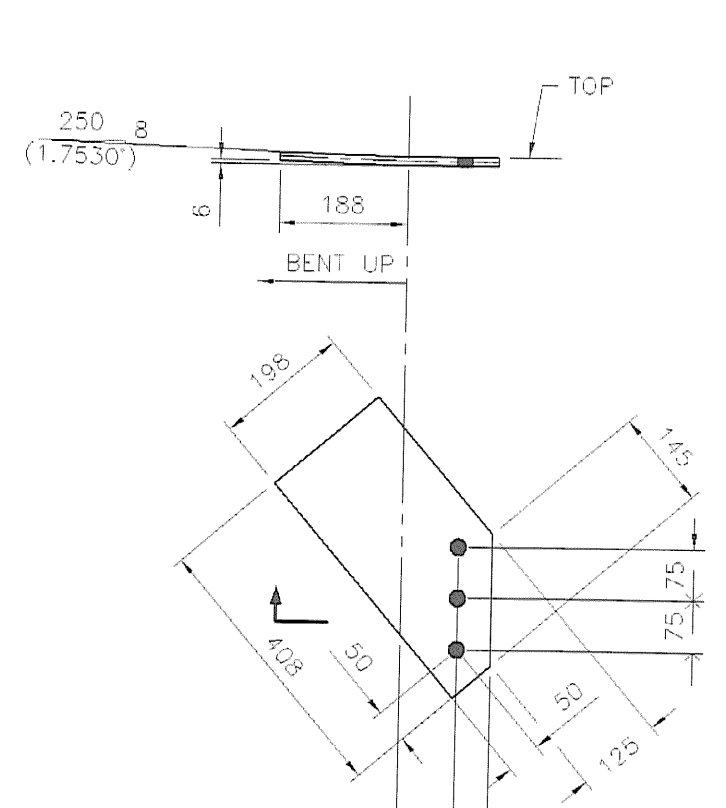
X4pb (PL 13)  
(SCALE: 1:10)



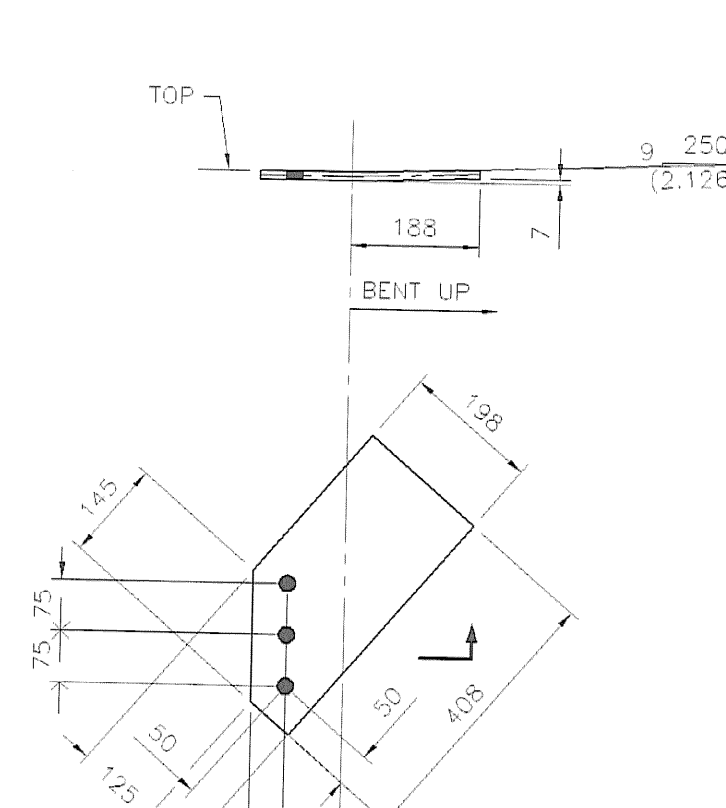
X4pc (PL 13)  
(SCALE: 1:10)



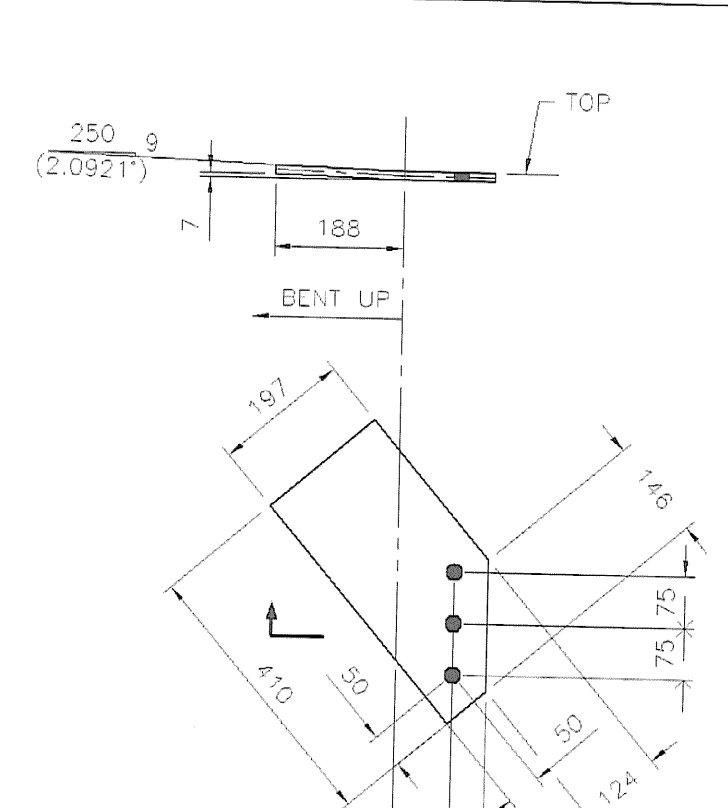
X4pd (PL 13)  
(SCALE: 1:10)



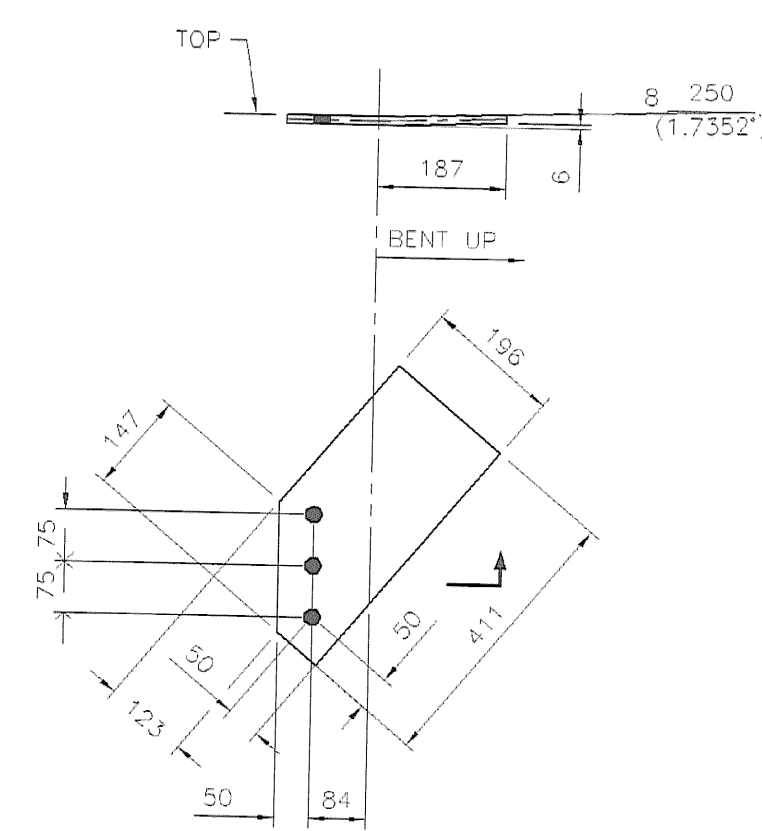
X4pe (PL 13)  
(SCALE: 1:10)



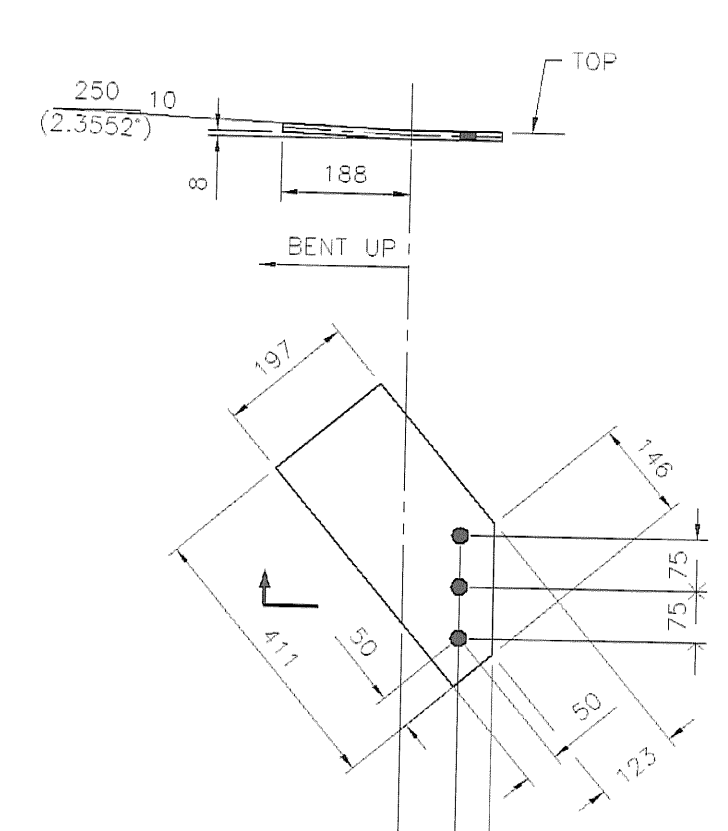
X4pf (PL 13)  
(SCALE: 1:10)



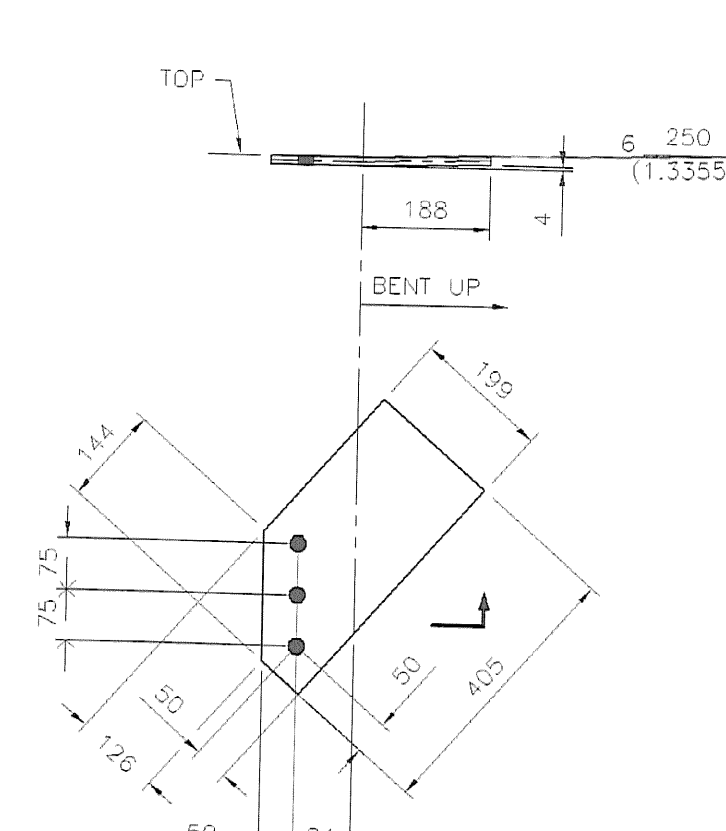
X4pg (PL 13)  
(SCALE: 1:10)



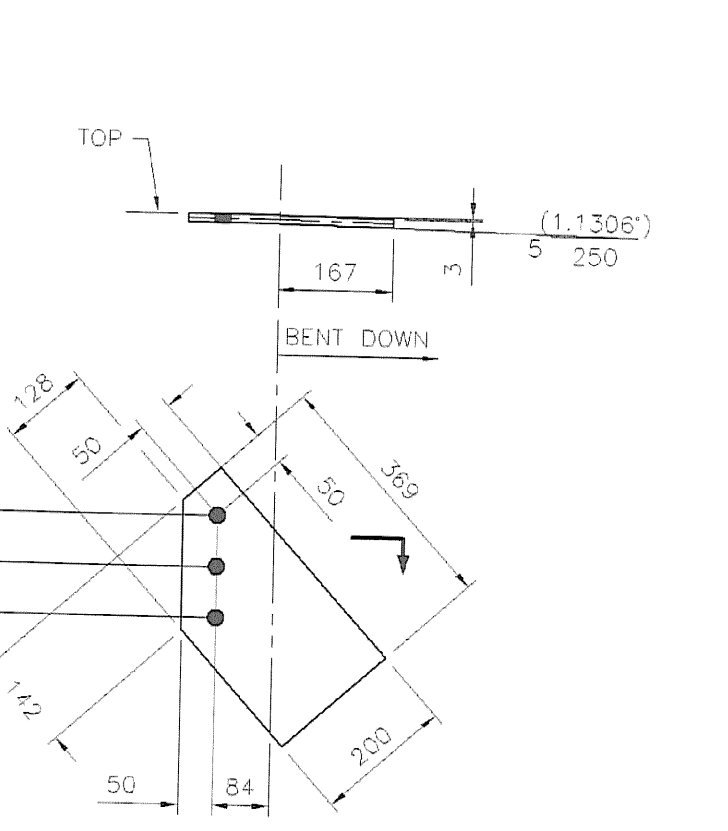
X4pk (PL 13)  
(SCALE: 1:10)



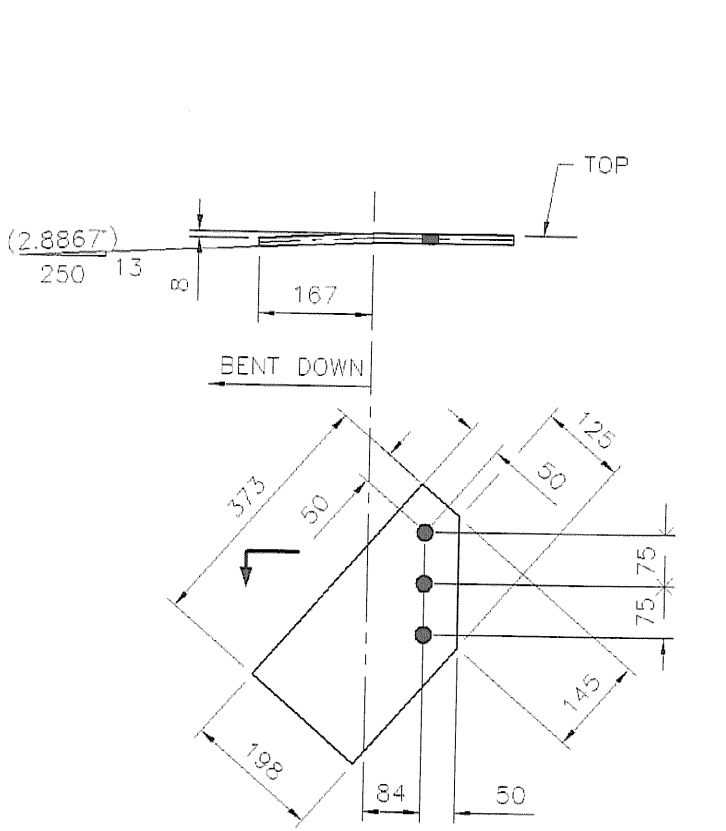
X4pm (PL 13)  
(SCALE: 1:10)



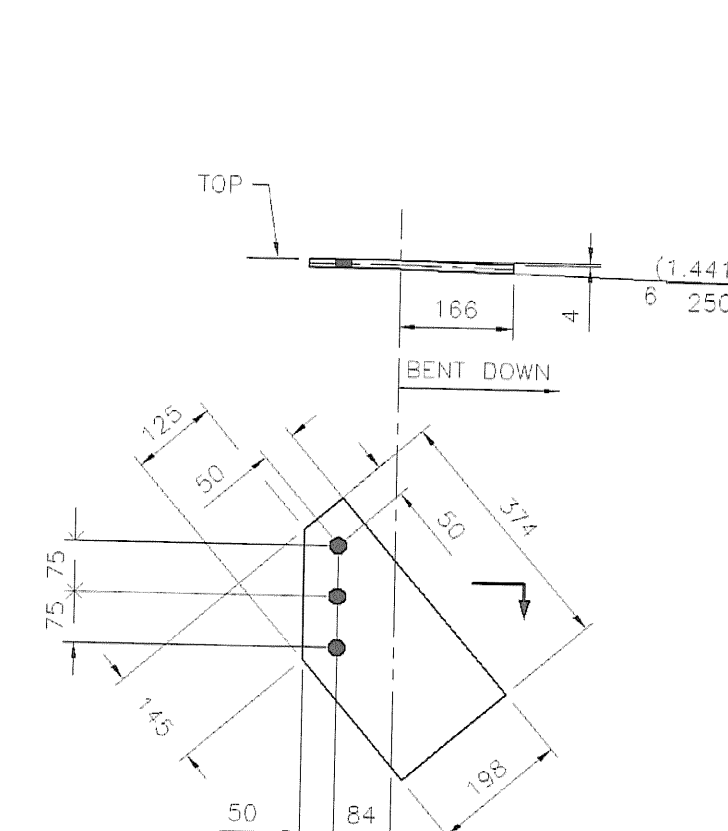
X4pn (PL 13)  
(SCALE: 1:10)



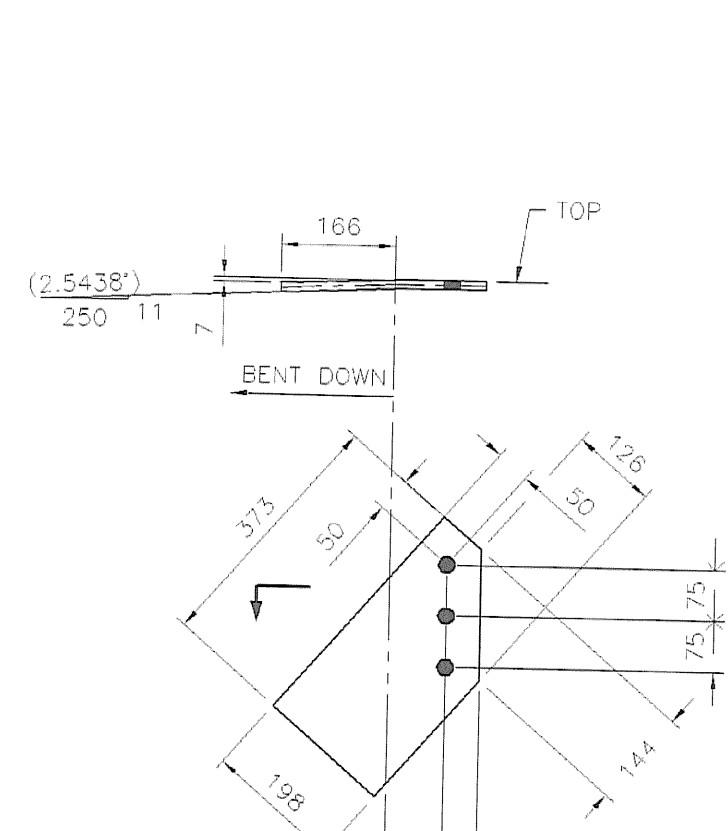
X4pp (PL 13)  
(SCALE: 1:10)



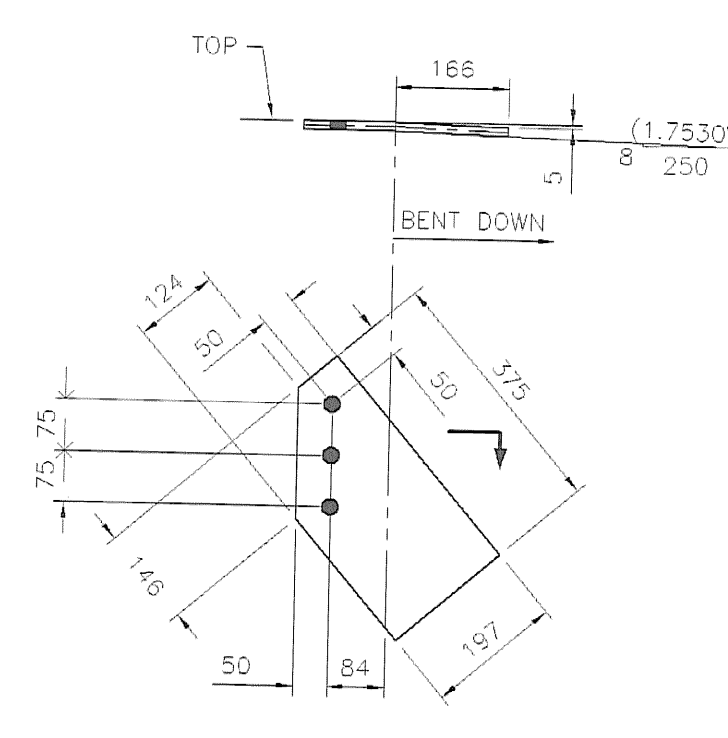
X4pr (PL 13)  
(SCALE: 1:10)



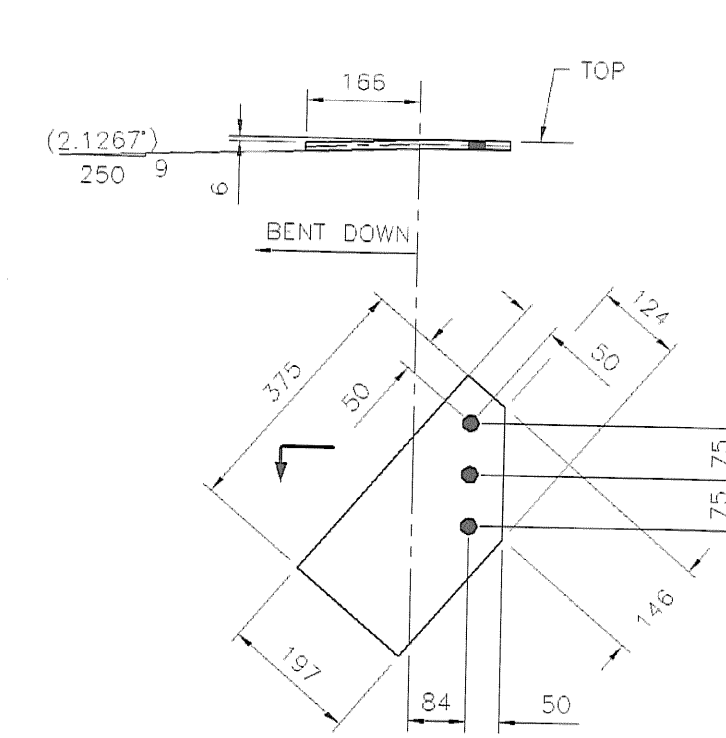
X4ps (PL 13)  
(SCALE: 1:10)



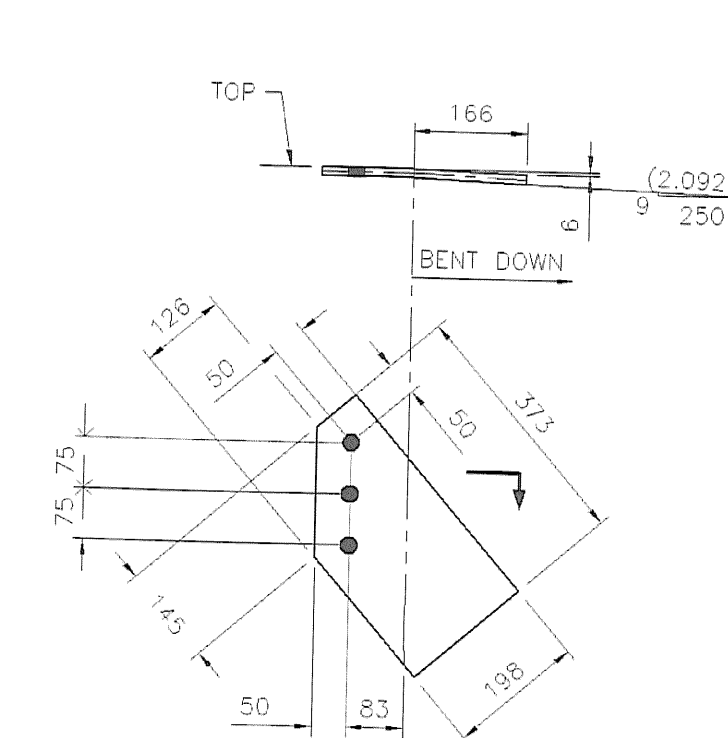
X4pt (PL 13)  
(SCALE: 1:10)



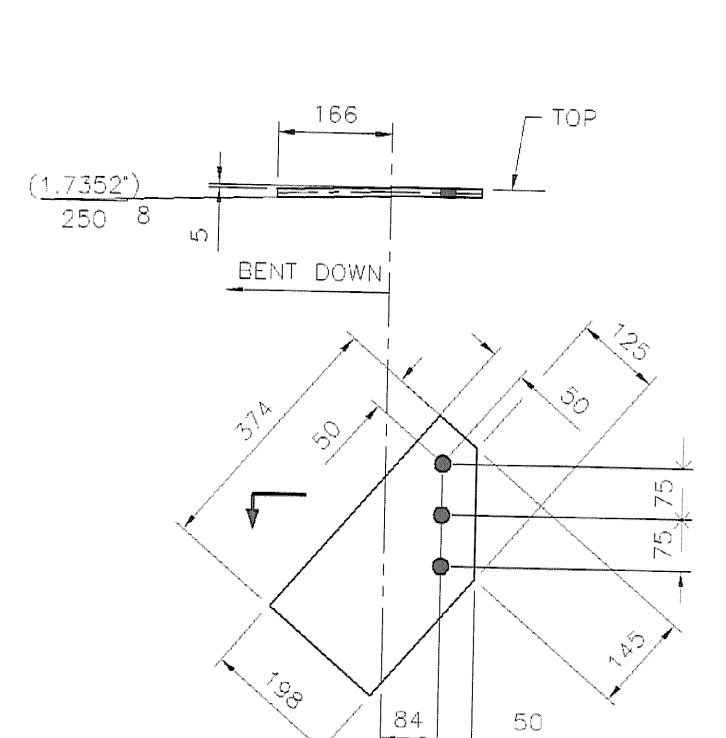
X4pv (PL 13)  
(SCALE: 1:10)



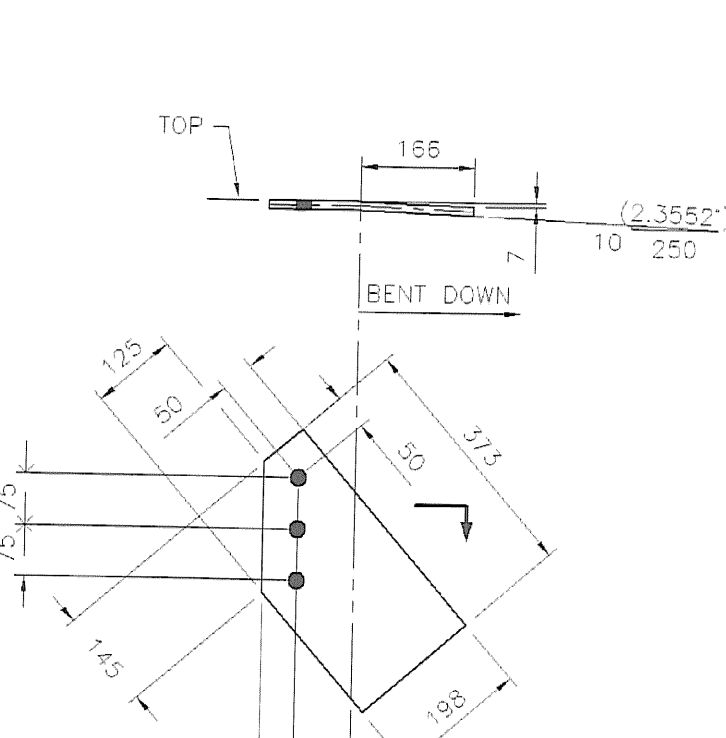
X4pw (PL 13)  
(SCALE: 1:10)



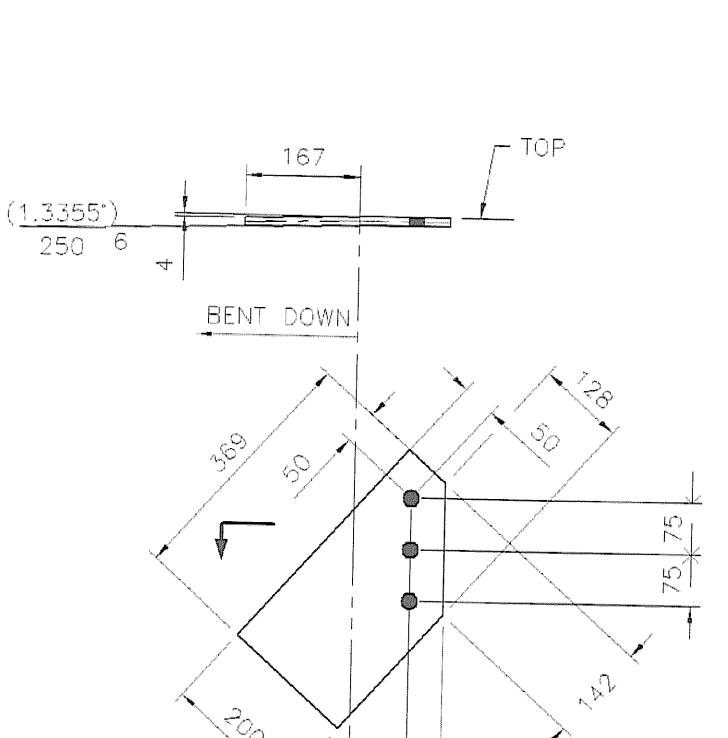
X4py (PL 13)  
(SCALE: 1:10)



X4paa (PL 13)  
(SCALE: 1:10)



X4pab (PL 13)  
(SCALE: 1:10)



X4pac (PL 13)  
(SCALE: 1:10)

ALL MATERIAL (EXCEPT BOLTS) TO BE ASTM: A709M-50W	
ALL WELDS TO BE MADE WITH ELECTRODES SERIES E70X	
OPEN HOLES ARE FOR H.S. BOLTS AND ARE TO BE FREE OF BURRS AND SCALE	
BOLTS: 3/8" M 16MM TYPE III	OPEN HOLES: 24 UN PAINT: SEE GN-1
<b>International Bridge &amp; Iron Co.</b> 90 Day Street Newington, CT 06111	
VERMONT DOT SUNDERLAND BRIDGE FED. AID PROJ. NO.: BRP-014 (2) CONTRACTOR: PETRICCA CONSTRUCTION CORP. ENGINEER: ROGER WHITCOMB	
For Approval	Revised
Issue to Shop	DETAILS
Drawn by D.E.	02/19/07
Checked by	MM/JJ/AA
Contract	Suffix
Dwg. Number	
606	X4

RECEIVED  
 CK'D BY: *CWC* OK'D BY: *DRP*  
 MAR 07 2007  
 RESUBMIT APPROVED  
 BY: *CWC* DATE: 3/30/07