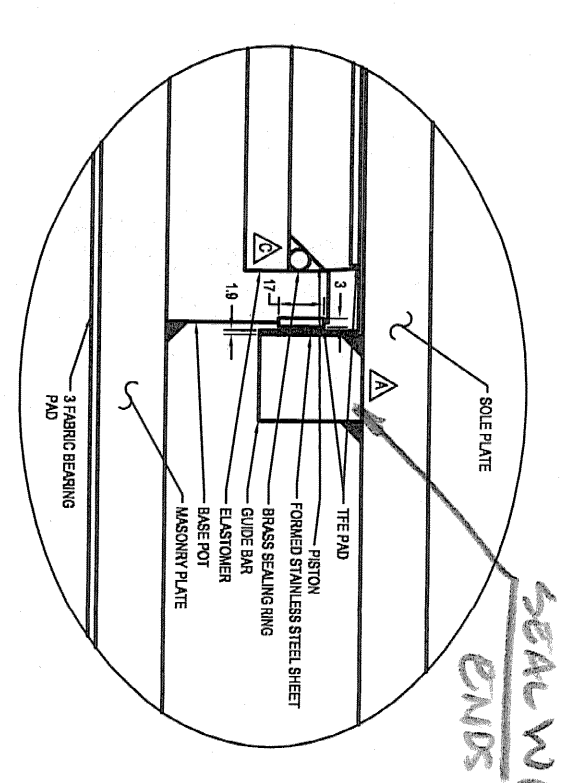
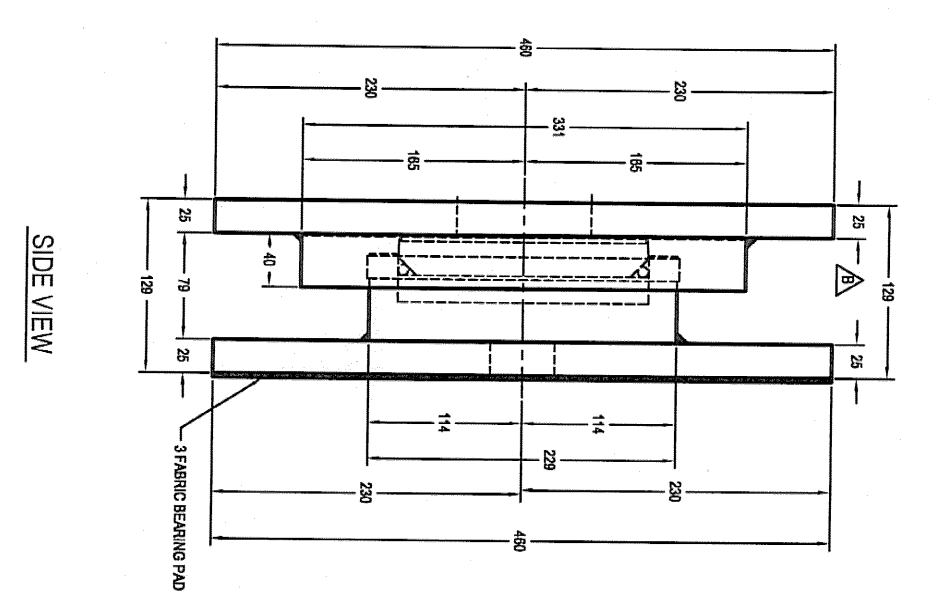
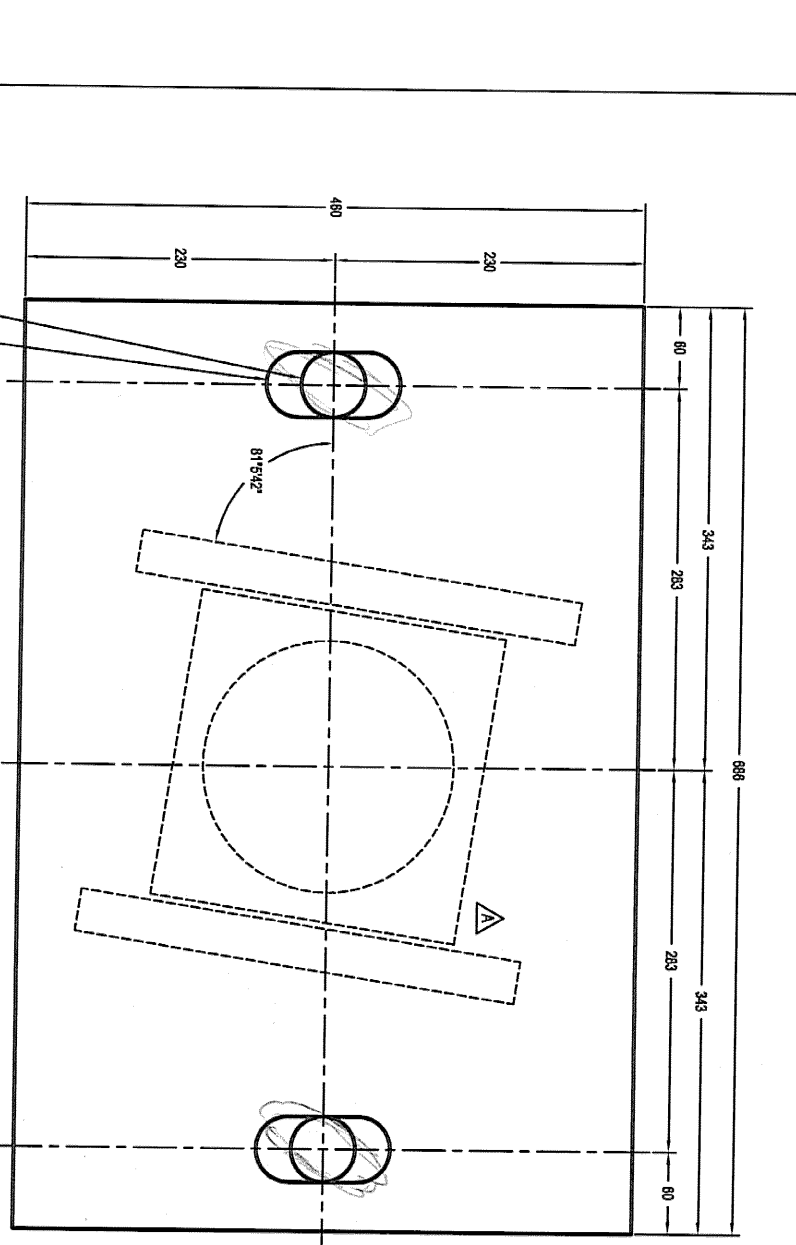
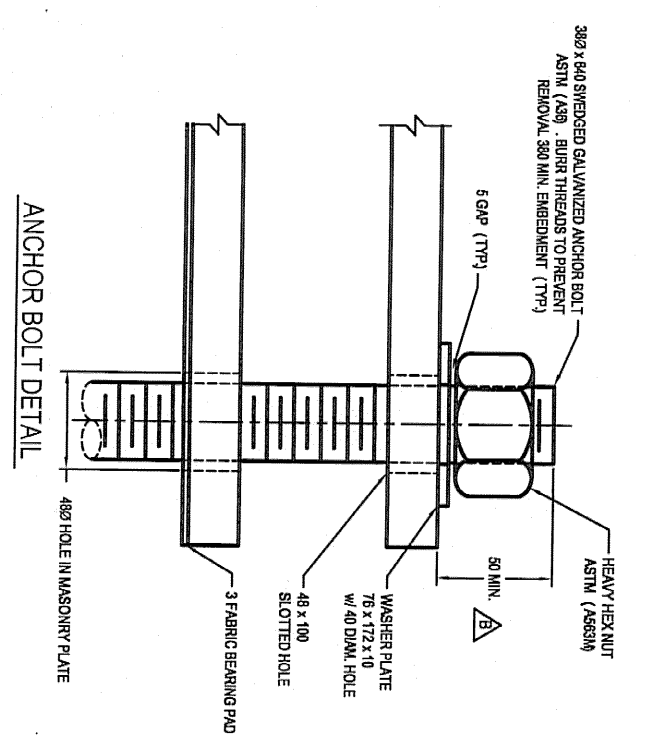
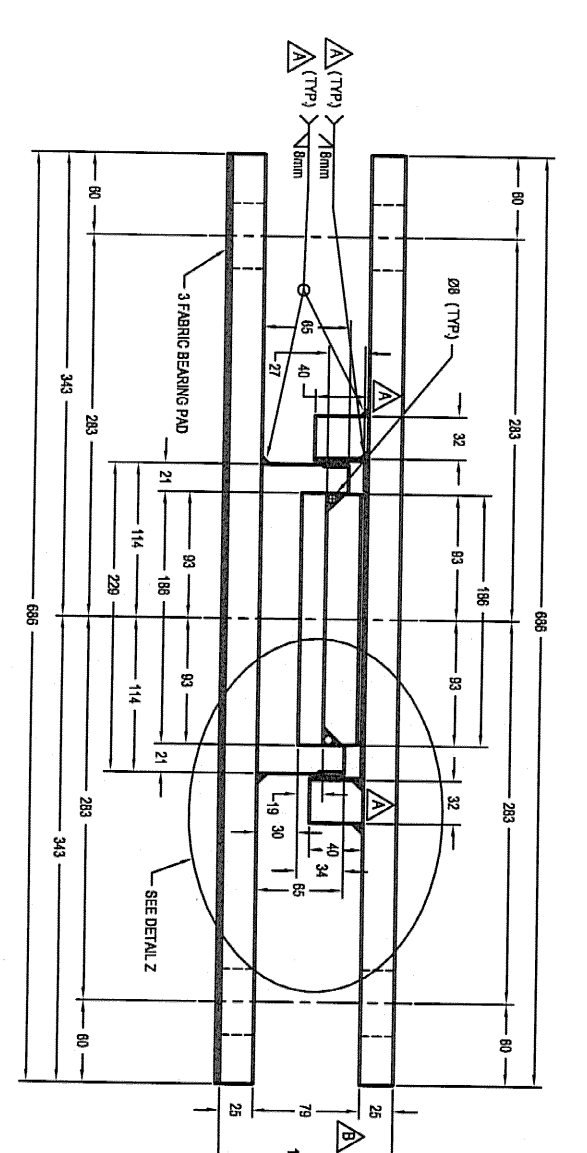


REVISIONS			
ZONE	REV	DESCRIPTION	DATE
..	A	PER ENGINEERS MARK	5/20/06
..	B	PER ENGINEERS MARK	1/17/06
..	C	PER ENGINEERS MARK	5/10/07



NOTES
 1. REFERENCE SHEET 7 OF 7 FOR BEARING NOTES

RECEIVED
 FEB 23 2007
 CIVIL ENGINEERING
 APPROVED: **AK** DATE



SUNDERLAND PROJECT NO BRG 014(2)
 HIGHWAY NO TH 3 BRIDGE NO. 13
 OVER ROARING BRANCH

STRUCTURAL PRODUCTS CORP. JOSH ZSI
 ORDER NJ DEANERY CAL
 APPROVD. B.F. REVISION C
 FOR: PETRICOA CONSTRUCTION COMPANY
 DWG NO: P00844RC SHEET NO. 4 OF 7

ASSEMBLY 72, GIBBS 3
 VERIFICATION: 01/11/06
 QTY: REQ'D: 1