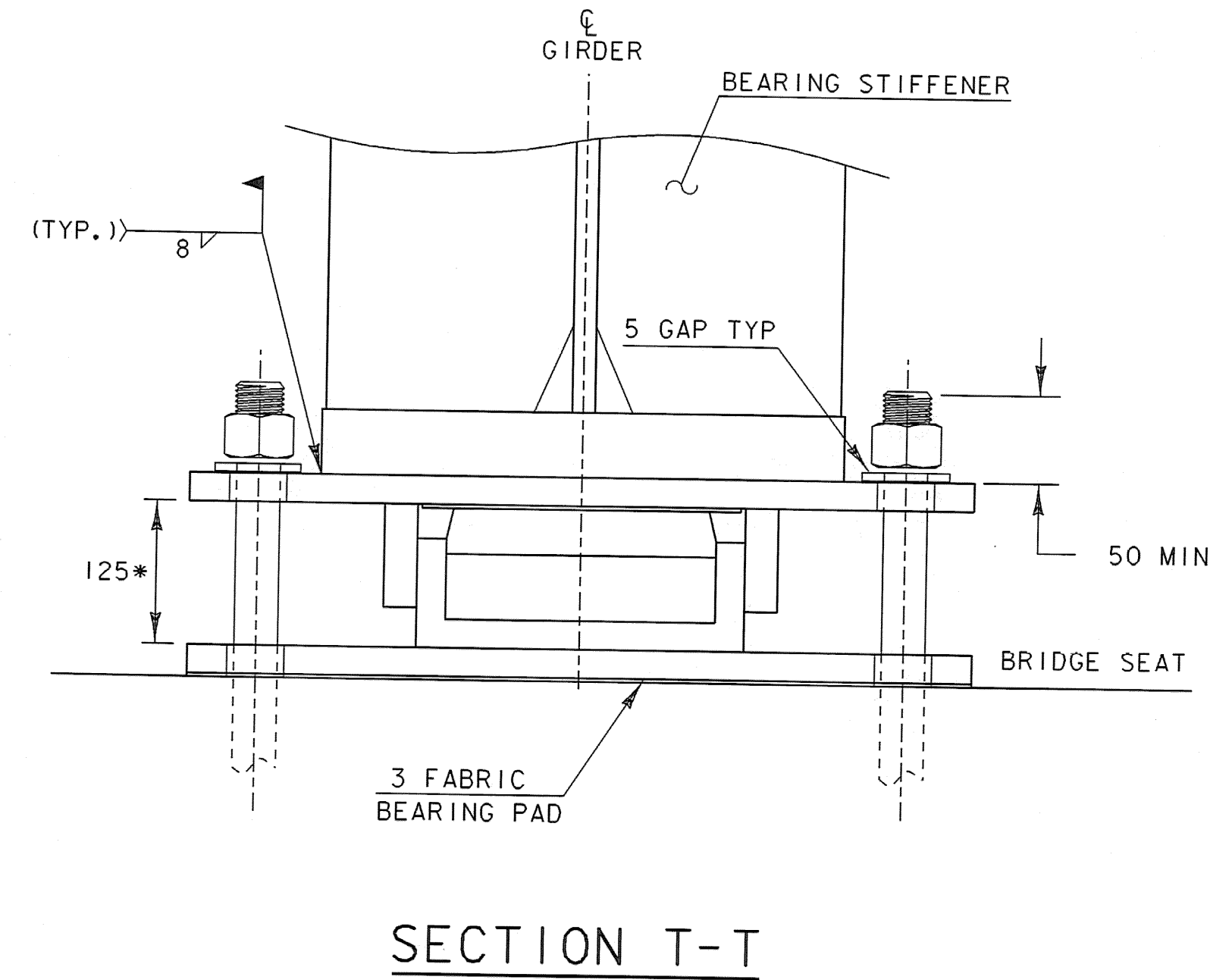
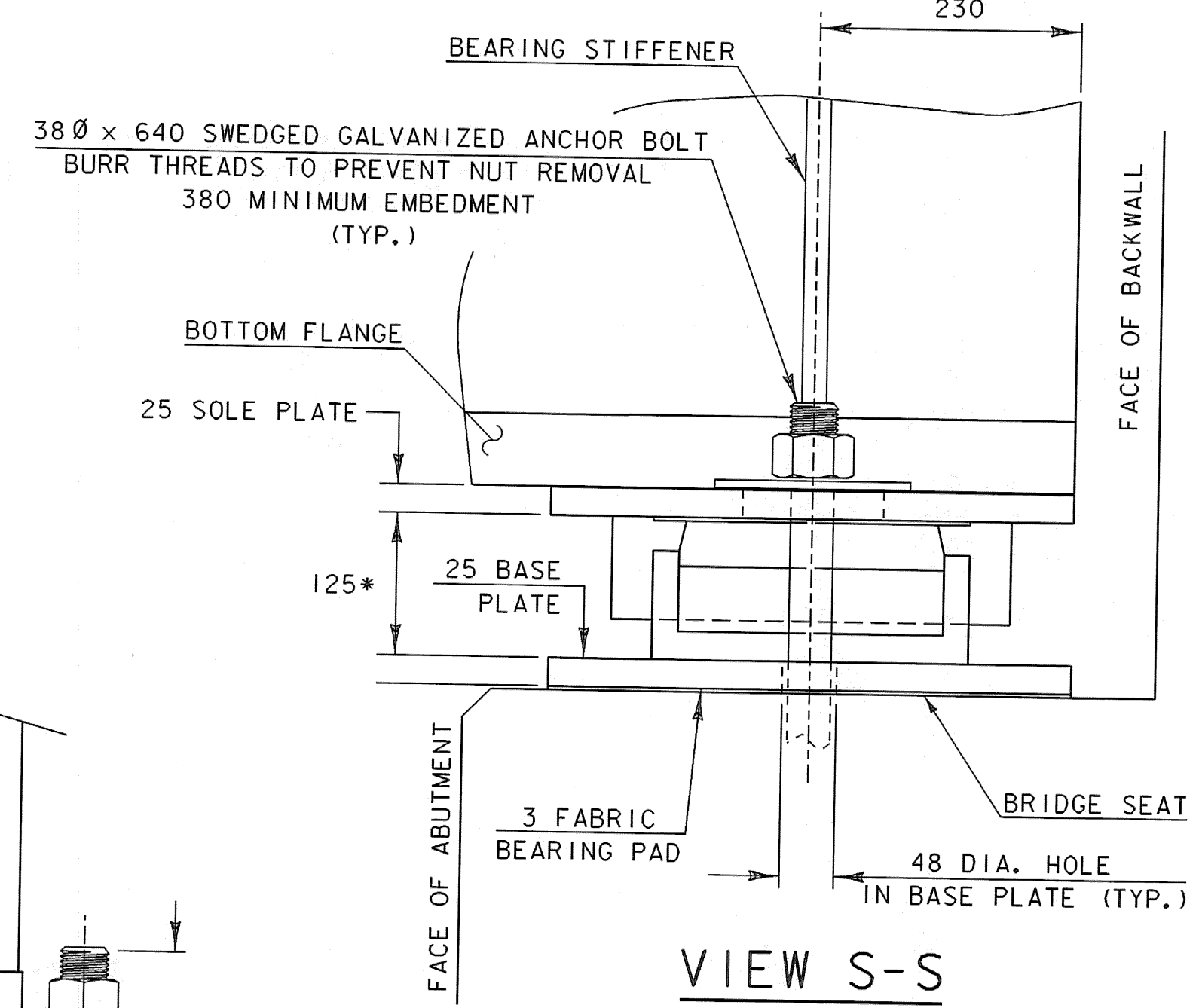
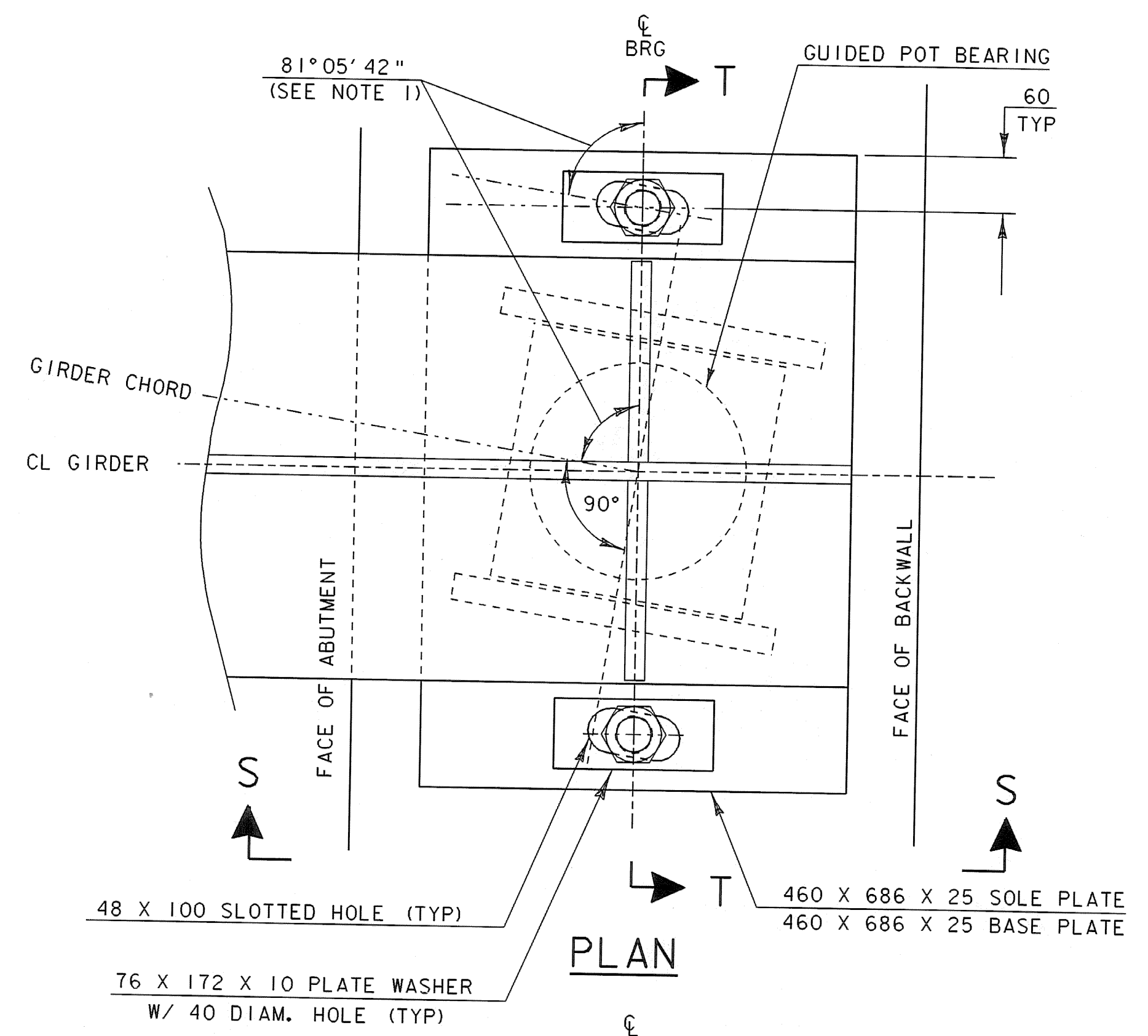


GUIDED BEARING DETAILS
ABUTMENT 1 GIRDERS 1 & 4



GUIDED BEARING DETAILS
ABUTMENT 2, GIRDERS 2 & 3

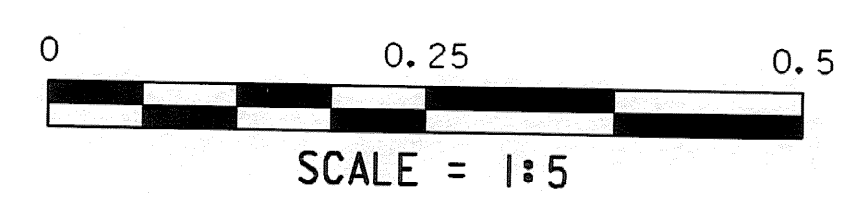
BEARING SETTINGS

TEMP	"A"	"B"
0°F	246	238
15°F	243	235
30°F	241	233
45°F	238	230
60°F	235	227
75°F	233	225
90°F	230	222

BEARINGS SET & ADJUSTMENTS MADE PARALLEL TO GIRDER CHORDS

NOTES:

- SEE SHEET 40 OF 67 FOR BEARING NOTES.
- SEE SHEET 42 OF 67 FOR POT BEARING DESIGN LOADS.
- SLOTTED HOLES IN SOLE PLATES SHALL BE MANUFACTURED SUCH THAT THE LONG DIMENSION IS PARALLEL TO THE GIRDER CHORD AT EACH ABUTMENT.



* SEE FINAL SHOP DRAWINGS FOR EXACT DIMENSIONS. BRIDGE SEATS MAY NEED ADJUSTMENT.

SHEET NAME: BEARING DETAILS	
PROJECT NAME: SUNDERLAND	HIGHWAY NO.: TH 3
PROJECT NUMBER: BRF 0114(2)	BRIDGE NO.: 14
	OVER: ROARING BRANCH
FILE NAME: /PW/93j009/sj009sup.dgn	PLOT DATE: 14-DEC-2005
PROJECT MANAGER: R. R. WHITCOMB	DRAWN BY: J.GILMORE
DESIGNED BY: D. BONNEAU	IPARM NAME: sc009brg2.1
	SHEET 41 OF 67