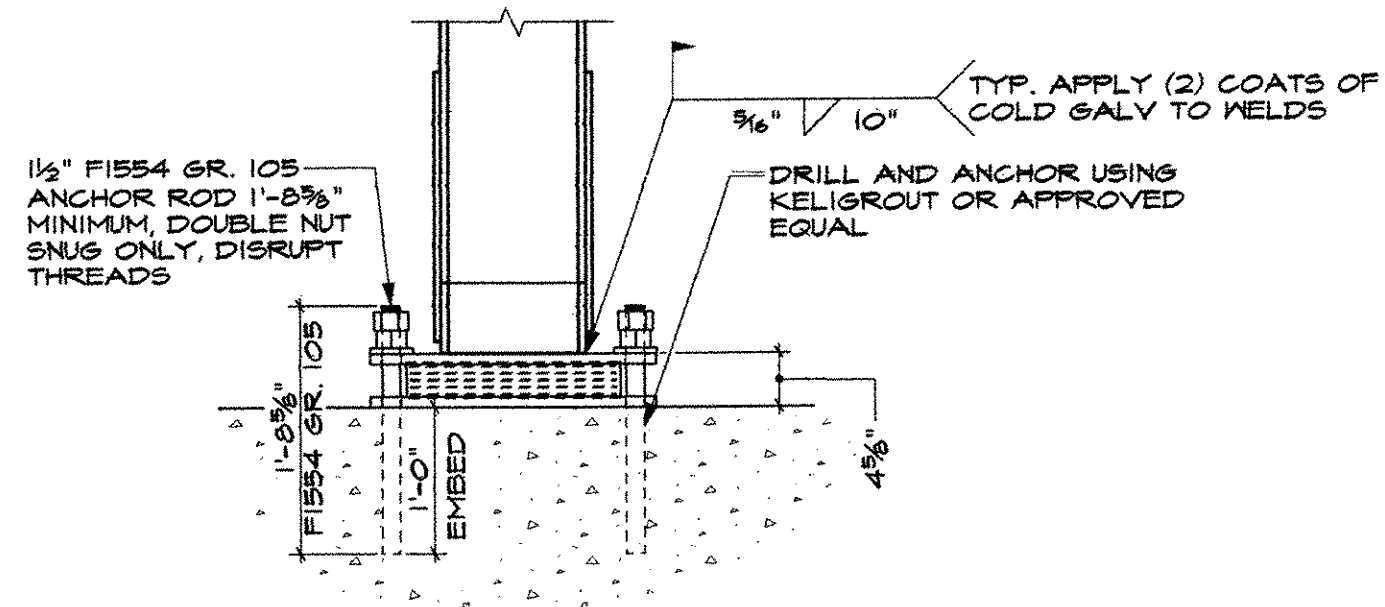
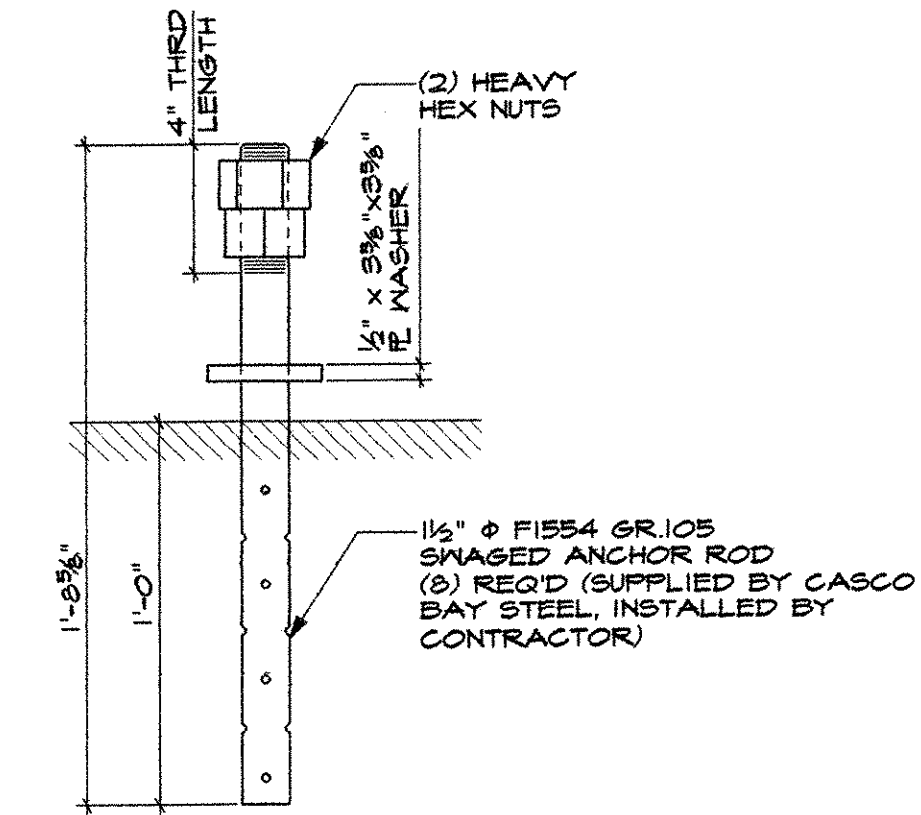


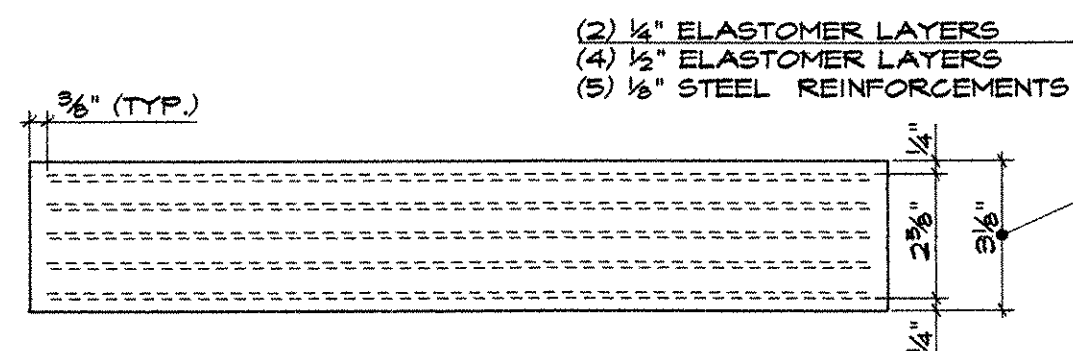
1 TRUSS BEARING ELEVATION  
BI 3/4"x1'-0"



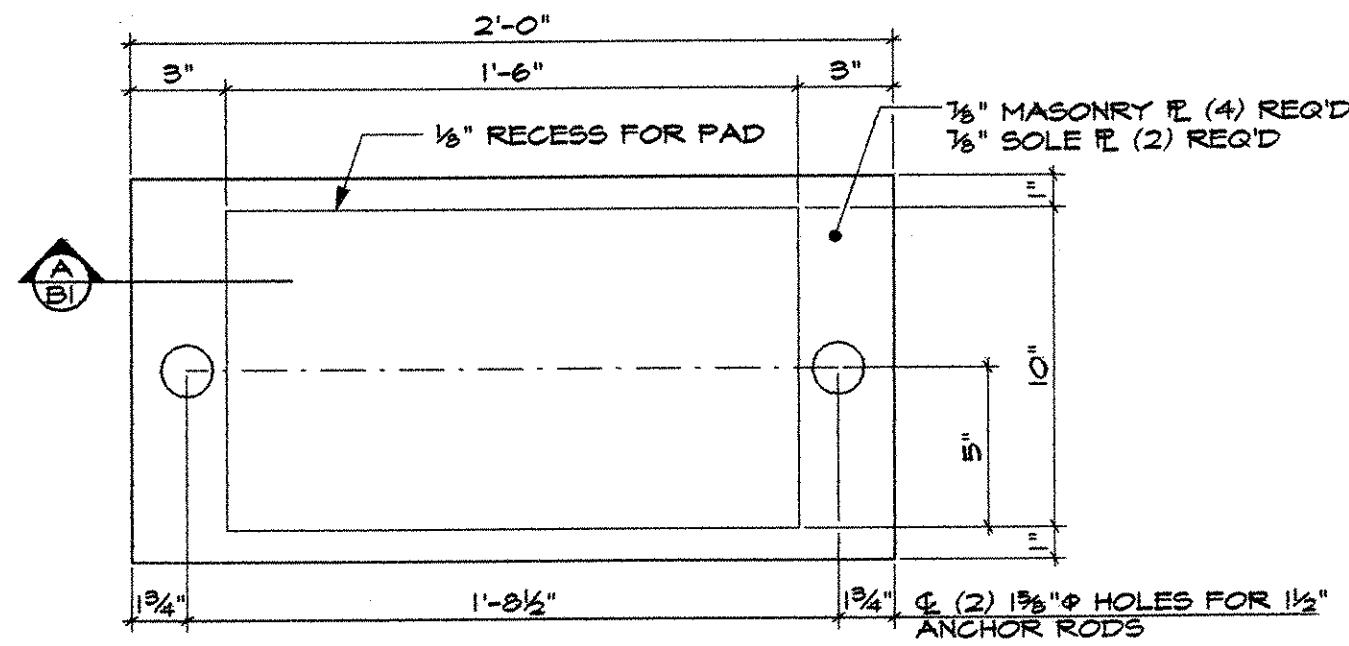
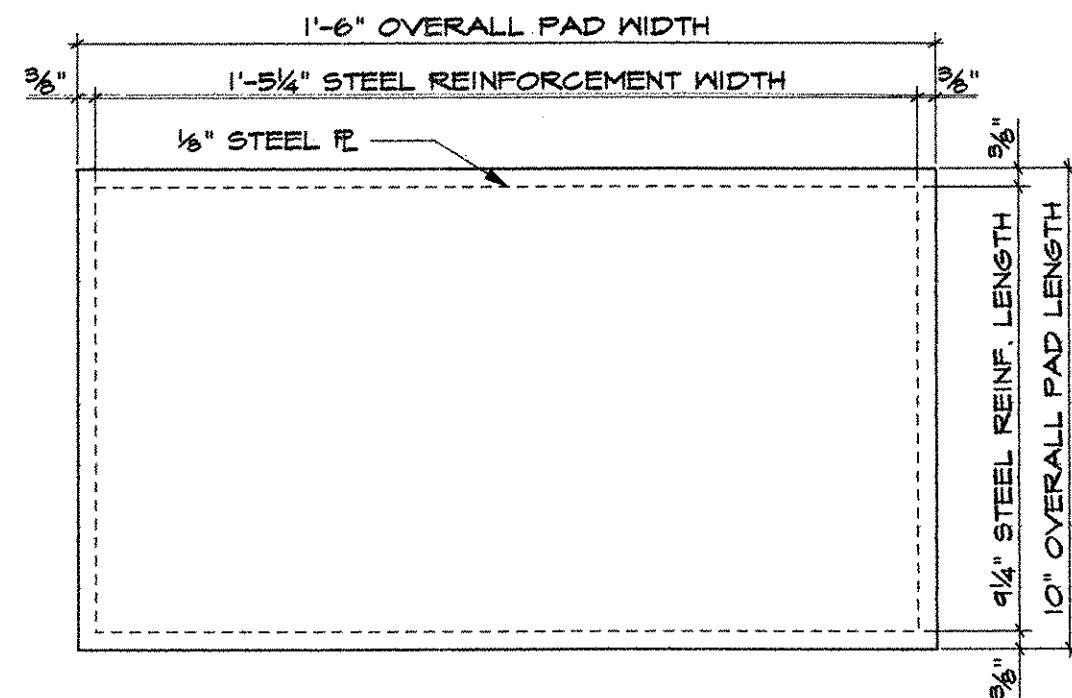
2 TYP BEARING INSTALLATION  
BI 3/4"x1'-0"



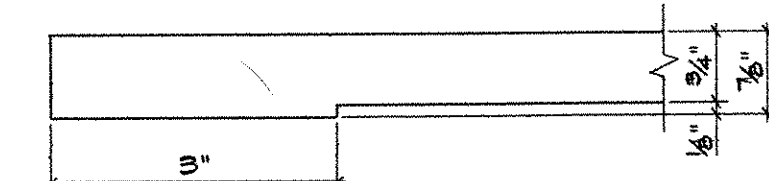
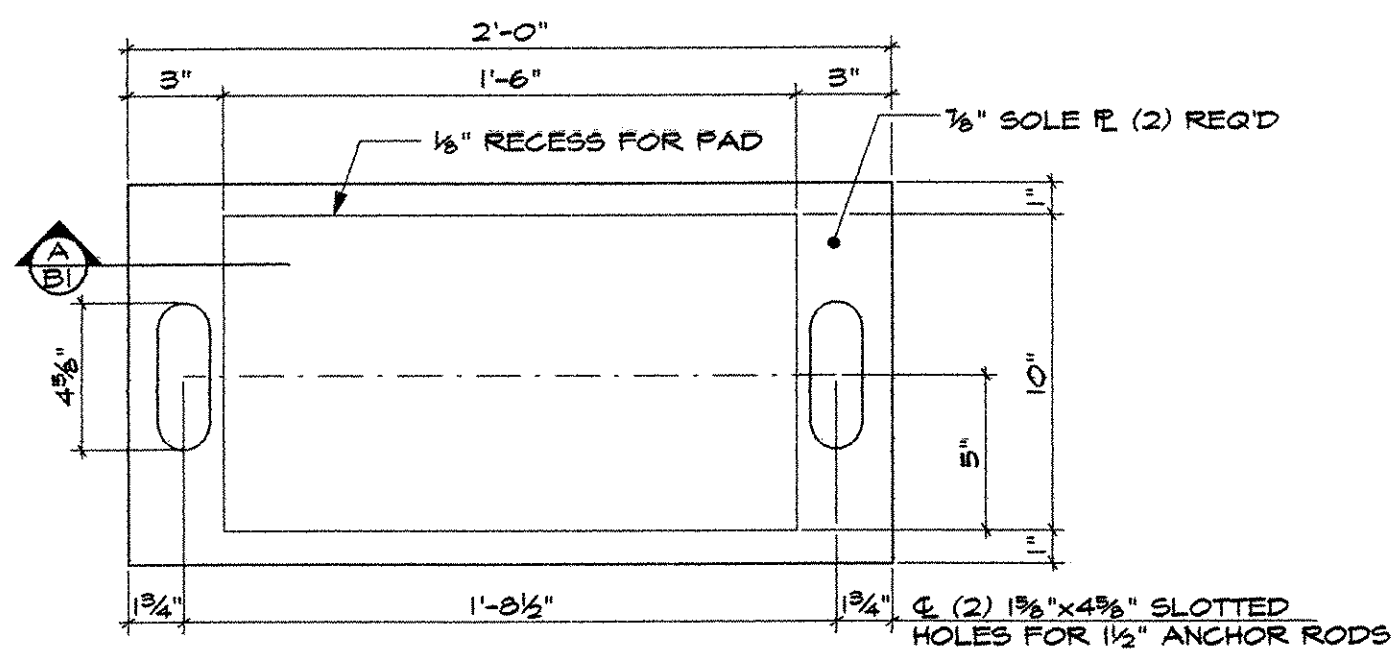
6 ANCHOR ROD DETAIL  
BI 2"x1'-0"



3 STEEL REINFORCED ELASTOMERIC BEARING PAD DETAILS  
BI 3"x1'-0"  
(SUPPLIED BY CASCO BAY STEEL, INSTALLED BY CONTRACTOR)



4 MASONRY & FIXED SOLE PLATE DETAIL  
BI 2"x1'-0"  
(SUPPLIED BY CASCO BAY STEEL INSTALLED BY CONTRACTOR)



5 EXPANSION SOLE PLATE DETAIL  
BI 2"x1'-0"  
(SUPPLIED BY CASCO BAY STEEL INSTALLED BY CONTRACTOR)

A PLATE RECESS DETAIL  
BI 6"x1'-0"  
(SOLE PLATE SHOWN, MASONRY PLATE SIMILAR)

REVISION  
JUN 29  
CPM CONSTRUCTORS

NOTES:

1. MASONRY PLATE & SOLE PLATE MATERIAL SHALL BE ASTM A709 GR. 50 SOLE PLATE IS NOT BEVELED.
2. STEEL REINFORCEMENTS & PLATE WASHER MATERIAL SHALL BE ASTM A709 GR. 50
3. ELASTOMER SHALL HAVE A SHORE A DUROMETER HARDNESS OF 60 WITH A SHEAR MODULUS BETWEEN 130PSI & 200PSI ELASTOMER SHALL BE GRADE 4
4. MASONRY, SOLE PLATES, AND PLATE WASHERS ARE TO BE HOT DIP GALVANIZED IN ACCORDANCE WITH ASTM A123. THE ANCHOR RODS & NUTS ARE TO BE GALVANIZED IN ACCORDANCE WITH ASTM A153.
5. ELASTOMERIC PAD IS TO BE VULCANIZED TO THE MASONRY & SOLE PLATES

MATERIAL	ELECTRODES	HOLES	SHOP BOLTS
NOTED	E-TOXX	NOTED	NONE

SURFACE PREP & PAINT:  
SSPC SP-6, GALVANIZE IN ACCORDANCE WITH ASTM A123

DESCRIPTION:	ELASTOMERIC BEARING DETAILS	DRAWN BY:	DATE:
JOB:	ST. JOHNSBURY VERMONT, TOWN HIGHWAY #25 OVER THE PASSUMPSIC RIVER BRIDGE #24	ETC	MAY 2007

APPROVAL STAMP:

- NO EXCEPTION TAKEN  
 REVISIONS  
 SUSPENSE  
 MAKE CORRECTIONS NOTED  
 APPROVE AND FORWARD  
 SIGNATURE REQUIRED ONLY

CHECKING IS ONLY FOR GENERAL COMPLIANCE WITH DESIGN CONCEPT OF THE PLANS AND GENERAL CONFORMANCE WITH THE INFORMATION CONTAINED IN CONTRACT DOCUMENTS. ANY ADDITIONAL INFORMATION IS TO BE SUBMITTED TO THE PLANS BY SUBMITTING CORRECTIONS TO THE ORIGINAL. THE CONTRACTOR SHALL BE RESPONSIBLE AND CONTROLLED AT ALL TIMES FOR THE ACCURACY OF THE INFORMATION AND FOR THE CONSTRUCTION OF THE WORK. THE CONTRACTOR SHALL BE RESPONSIBLE FOR THE SATISFACTORY PERFORMANCE OF THE WORK.

CLARENCE HARRIS ASSOCIATES  
DATE: 6/28/07

CALDWELL ENGINEERING ETLC 100 W. BROADWAY SUITE 200 PH. 00713-00

PROJ. NO. BRO-1447(19)  
CUSTOMER: CPM CONSTRUCTORS, FREEPORT MAINE PH. (207) 865-0000

CASCO BAY STEEL STRUCTURES		JOB NO.	DRG. NO.
75 SPRING HILL ROAD PH. (207) 282-7360	SACD, MAINE 04072 FAX (207) 282-1179	08455	BI REV. 1