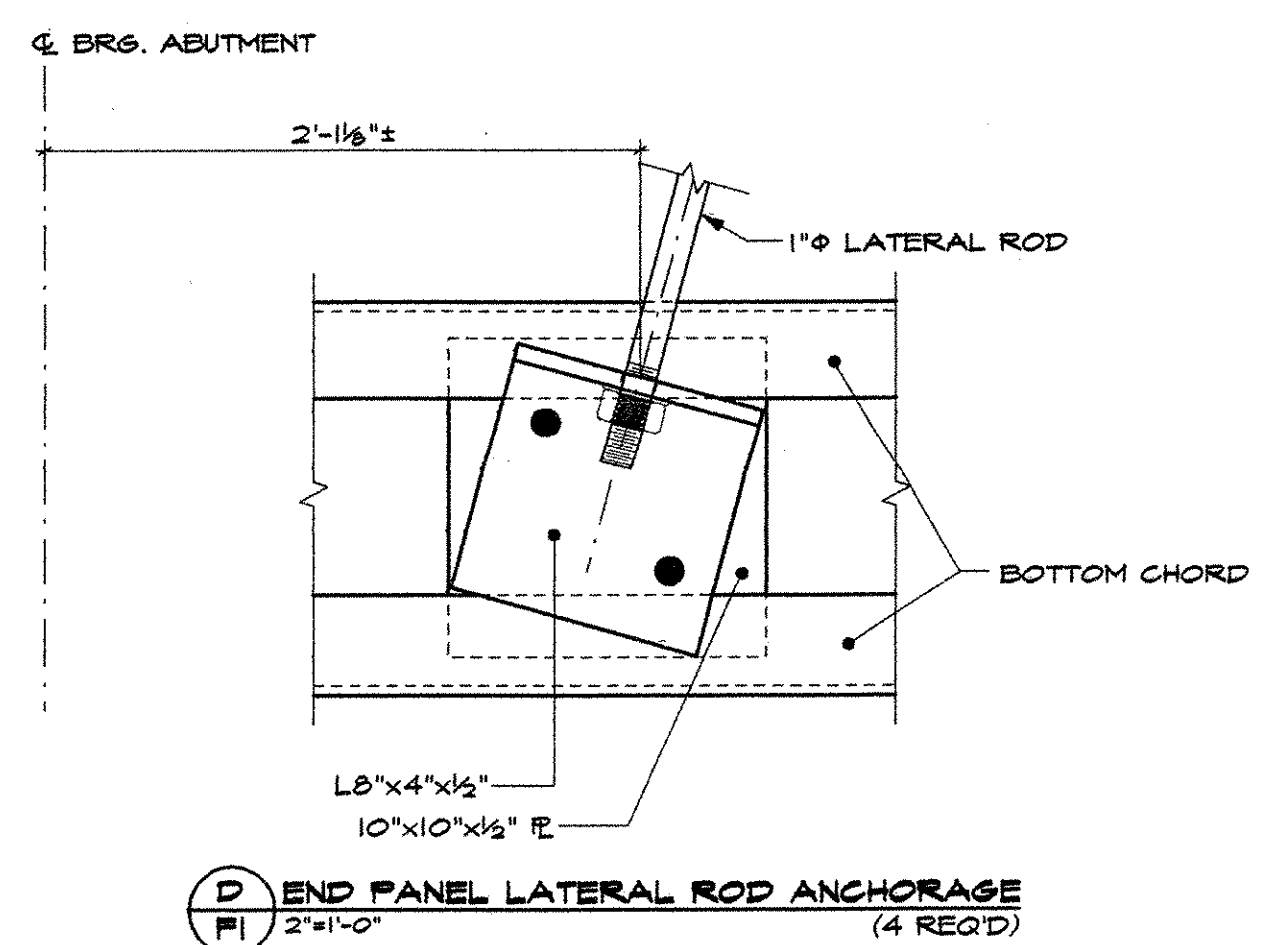
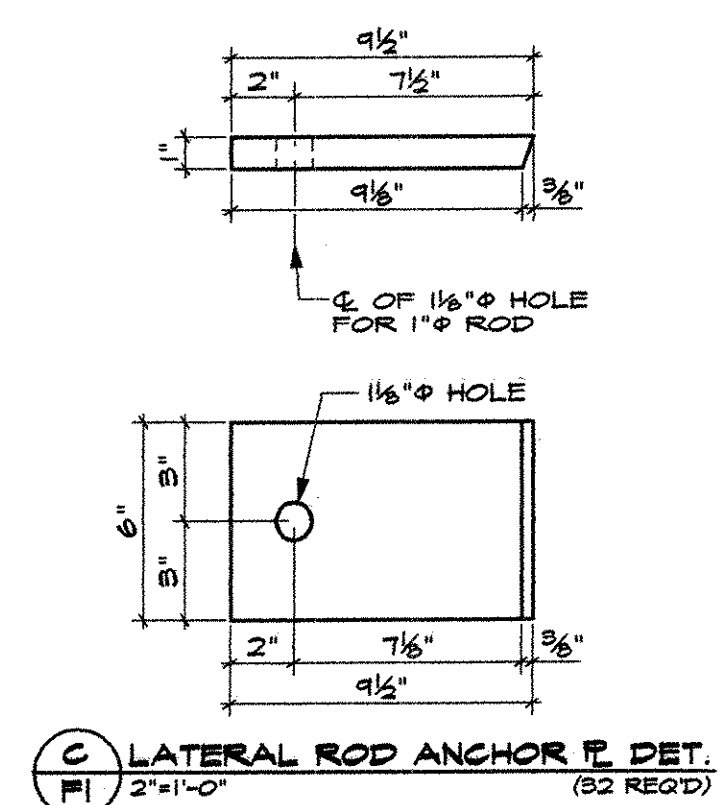


REVIEWED  
 JUN 28  
 CPM CONSTRUCTORS



APPROVAL STAMP:

NO EXCEPTION TAKEN  MAKE CORRECTIVE NOTE:  
 REJECTED  CORRE AND RESUBMIT  
 SUBMIT APPROVED USED

CHECKING IS ONLY FOR GENERAL COMPLIANCE WITH...  
 DESIGN CONCEPT OF THE PROJECT AND DEMAND  
 COMPLIANCE WITH THE INFORMATION GIVEN IN THE  
 CONTRACT DOCUMENTS. CPM CONSTRUCTORS DOES NOT  
 WARRANT THE ACCURACY OF THE INFORMATION OR THE  
 DESIGN OR CONSTRUCTION OF THE PROJECT OR THE  
 PERFORMANCE OF THE PROJECT OR THE PERFORMANCE OF  
 ANY OTHER TRADES AND THE GATEWAY TO THE  
 PERFORMANCE OF THE PROJECT.

CLARENCE HARDY & ASSOCIATES LLC  
 ENGINEER  
 DATE 7/16/07 BY [Signature]

MATERIAL	ELECTRODES	HOLES	SHOP BOLTS
ASTM A709 GR50	E-70XX	3/8" Ø UN.O.	NONE
SURFACE PREP & PAINT: SPPC SP-6, GALVANIZE IN ACCORDANCE WITH ASTM A123			
DESCRIPTION: FLOORBEAM DETAILS		DRAWN BY:	DATE:
JOB: ST. JOHNSBURY VERMONT, TOWN HIGHWAY #85 OVER THE PASSUMPSIC RIVER BRIDGE #29		ETC	MAY 2007
CALDWELL ENGINEERING ETC. LLC RECONSTRUCTURE 0409 P/L 007137-000			
PROJ. NO. BRO-1447(14)		CUSTOMER: CPM CONSTRUCTORS, FREEPORT MAINE PH. (207) 865-0000	
CASCO BAY STEEL STRUCTURES		JOB NO.	DRG. NO.
75 SPRING HILL ROAD PH. (207) 282-7360		SACO, MAINE 04072 FAX (207) 282-1179	F1
		07355	REV. Δ