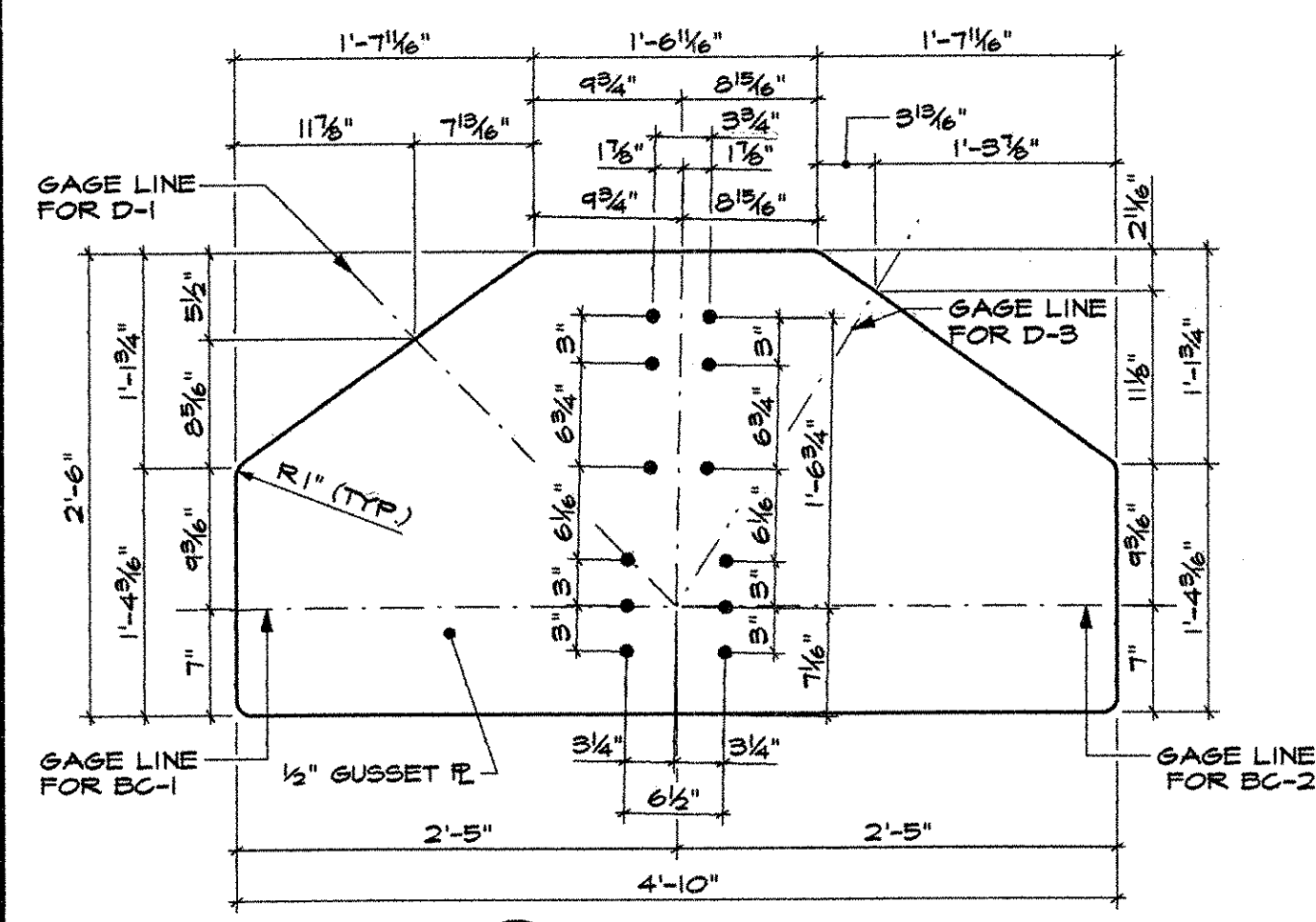
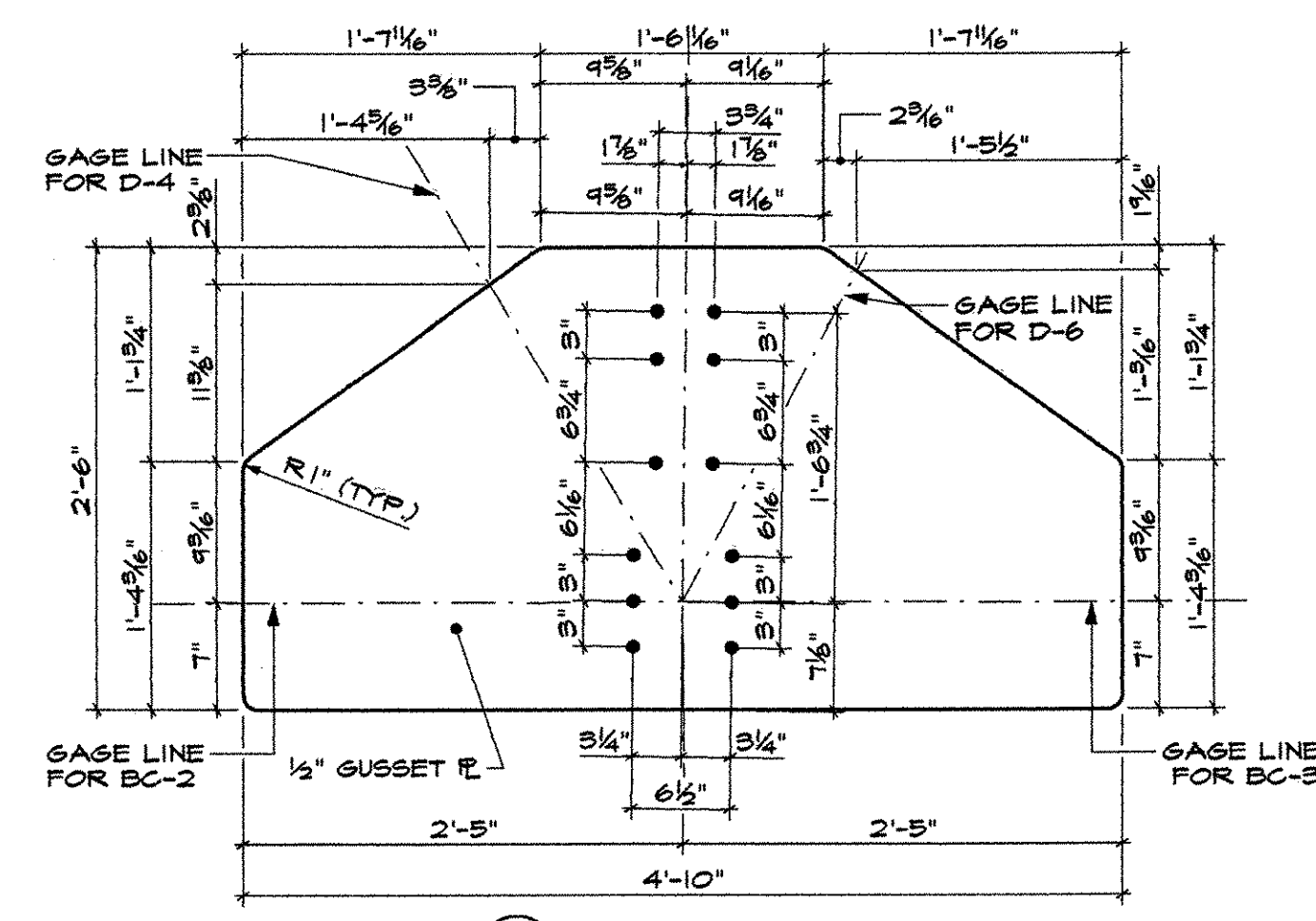


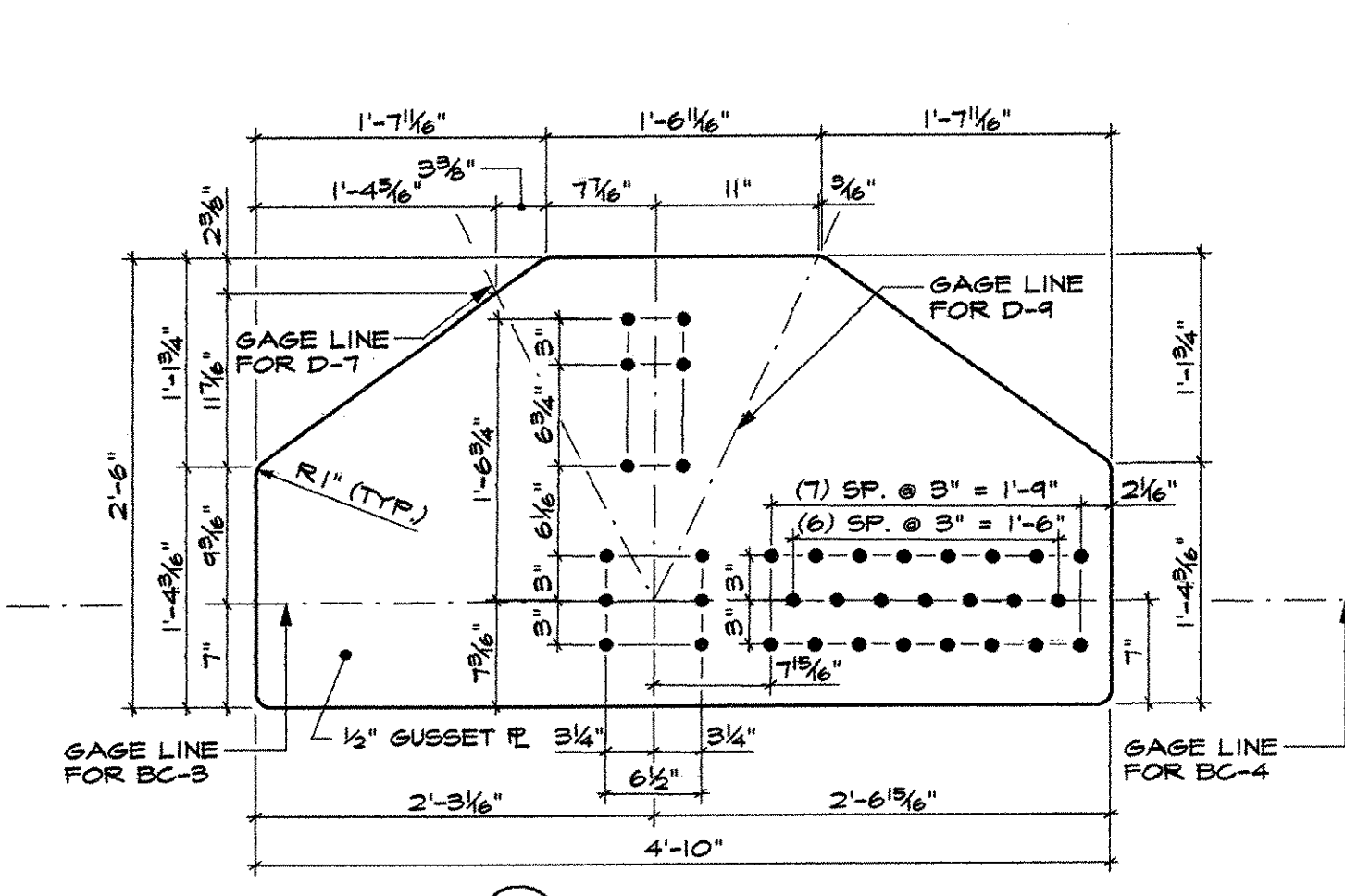
Filename: ... \00\bridge\msta\G2\_GUSSET.dgn Date: 6/28/2007



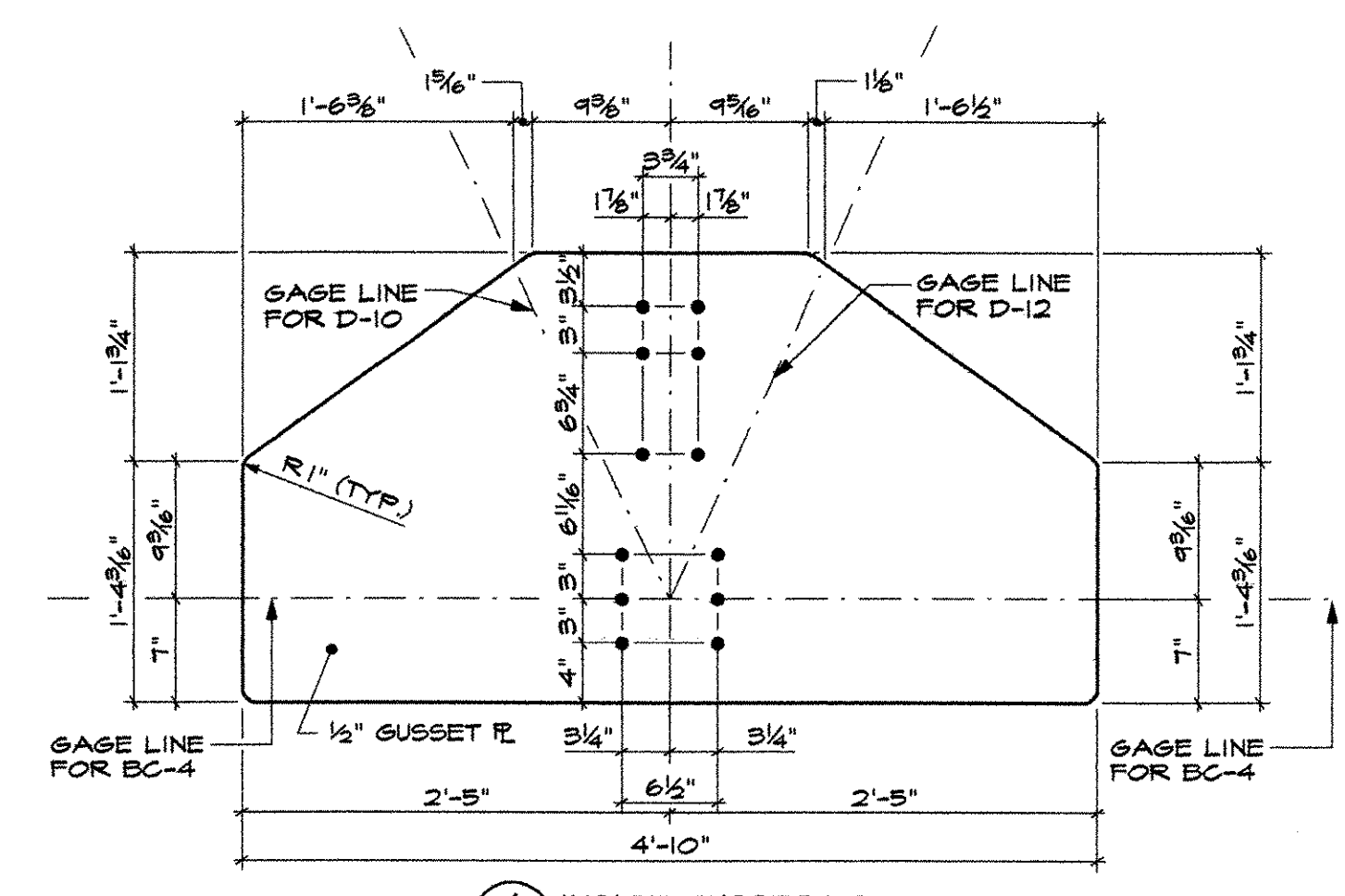
1 INSIDE GUSSET L3 (2 REQ'D)  
INSIDE GUSSET L17 OPPOSITE HAND (2 REQ'D)



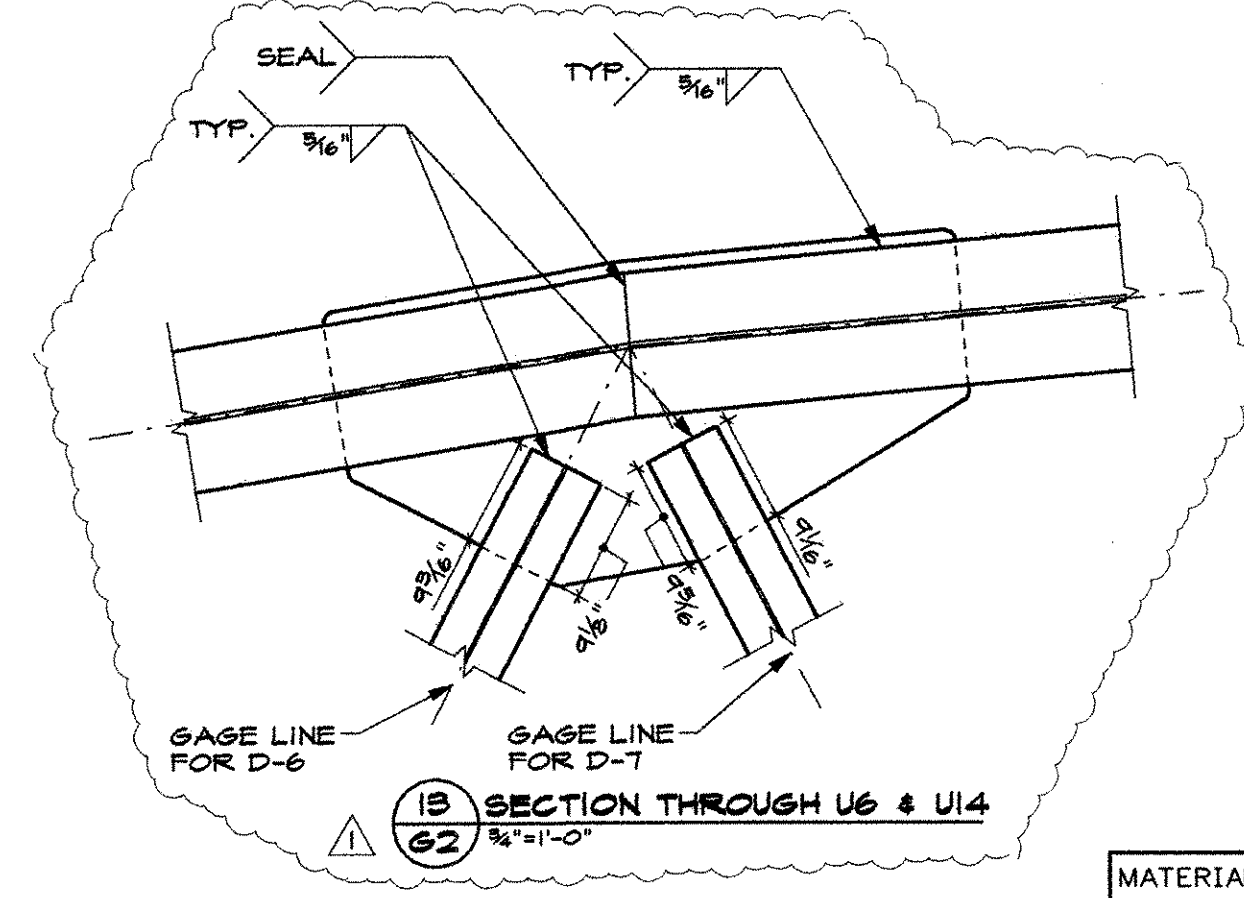
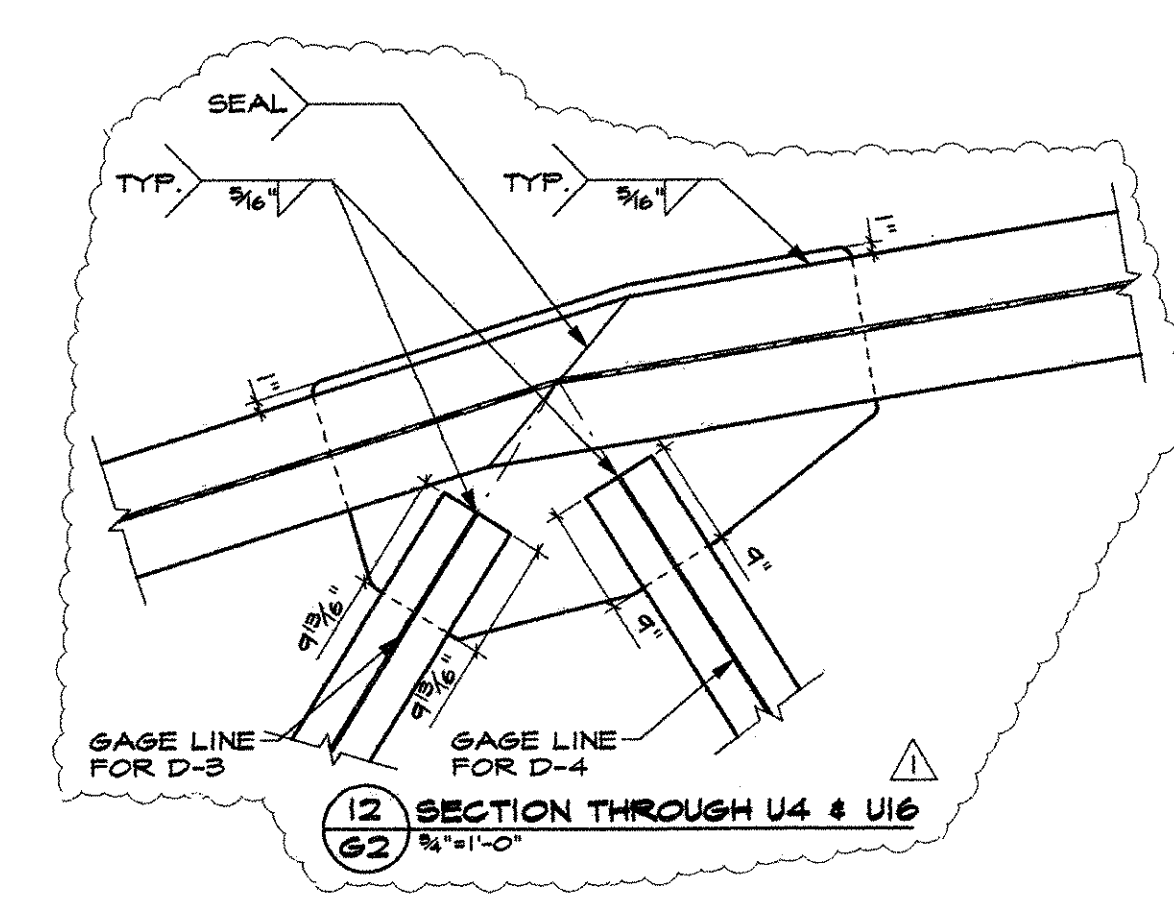
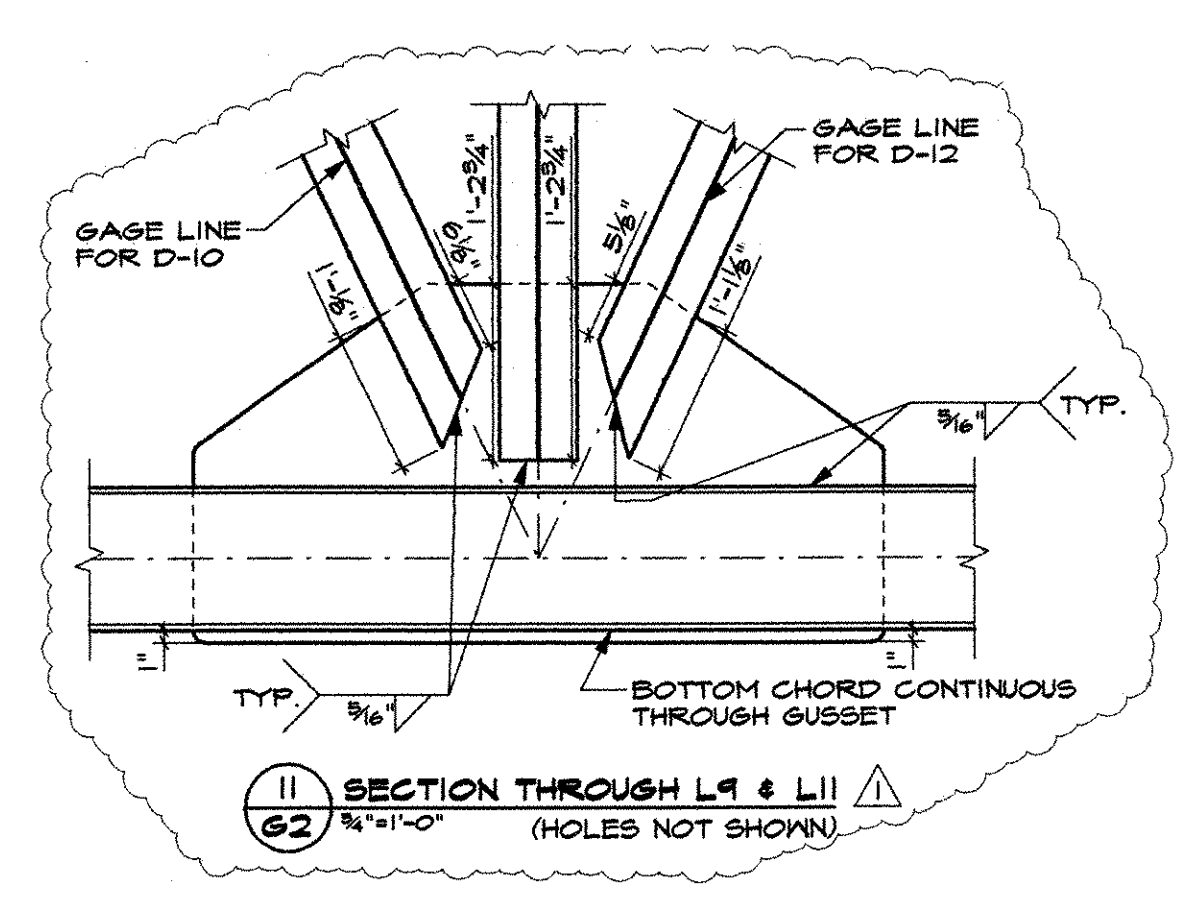
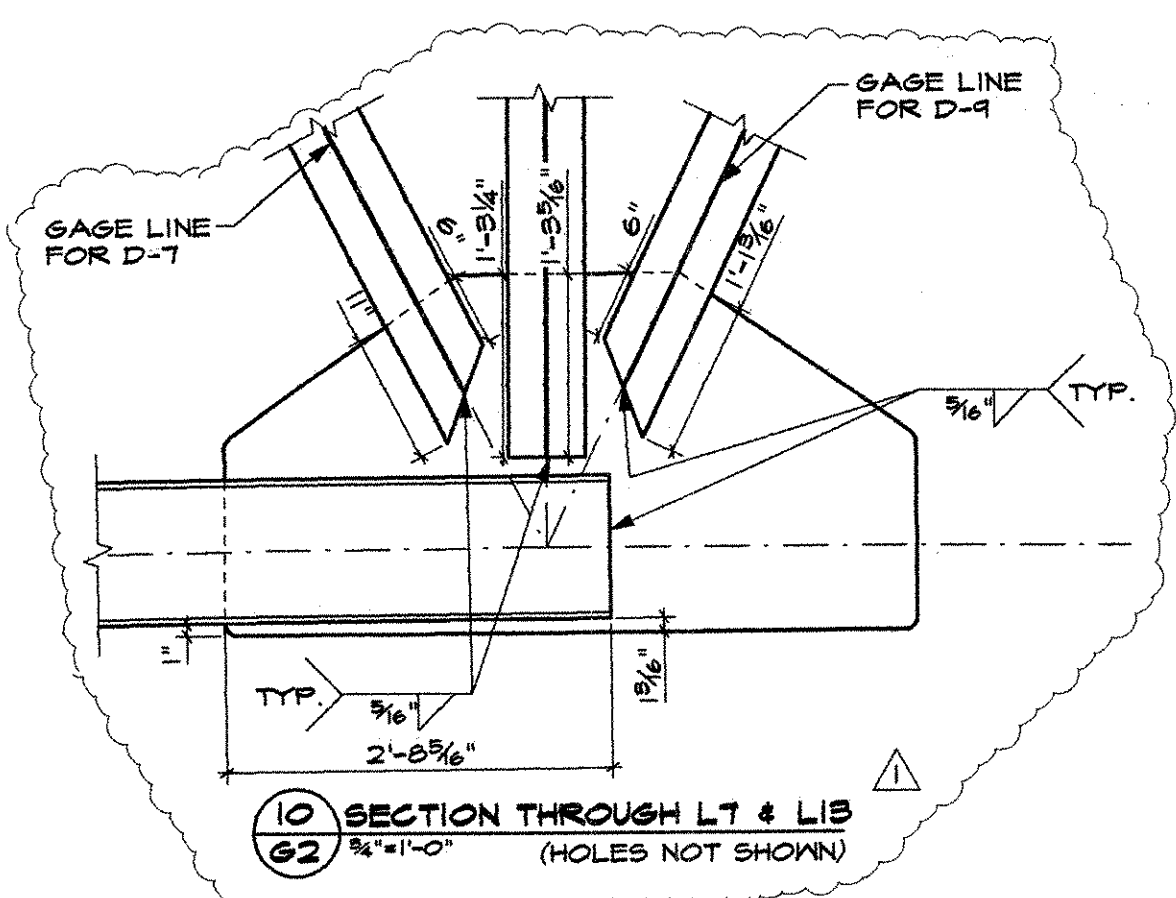
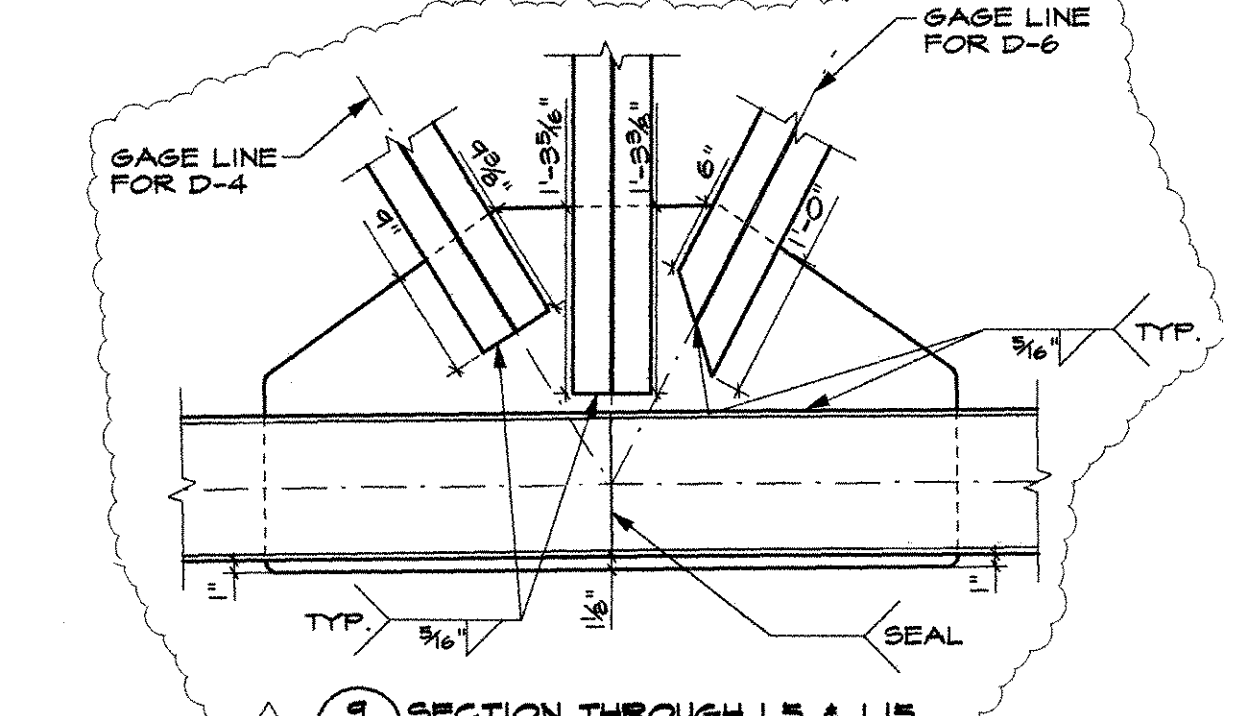
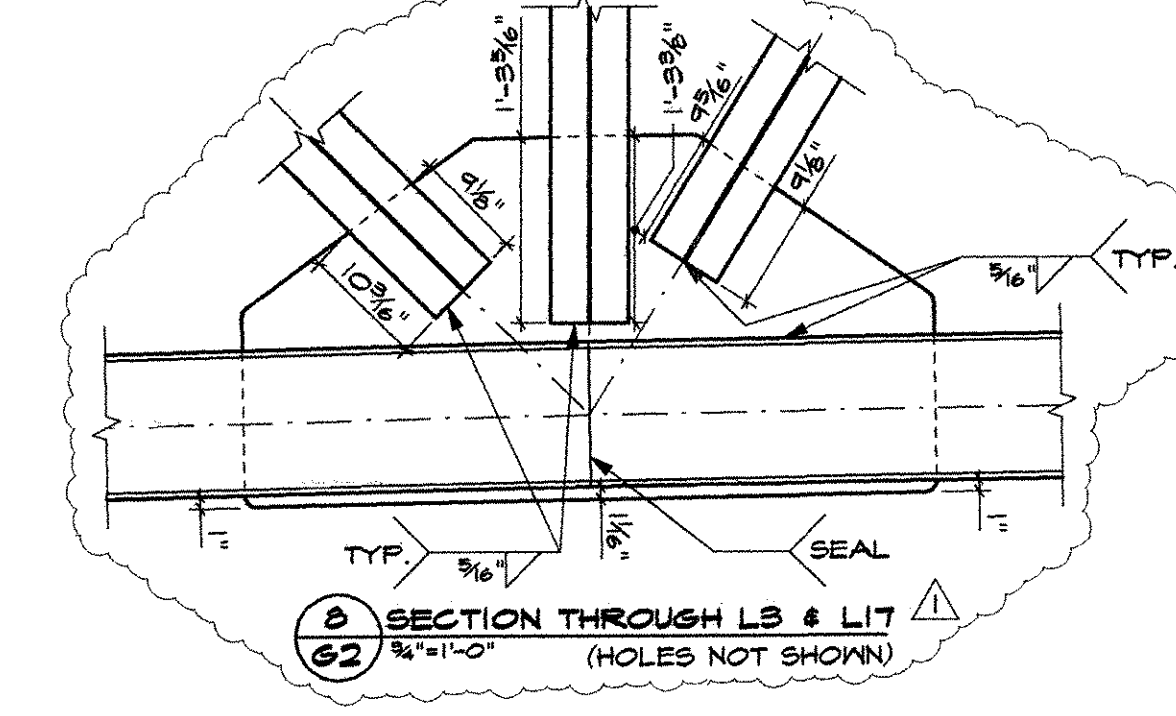
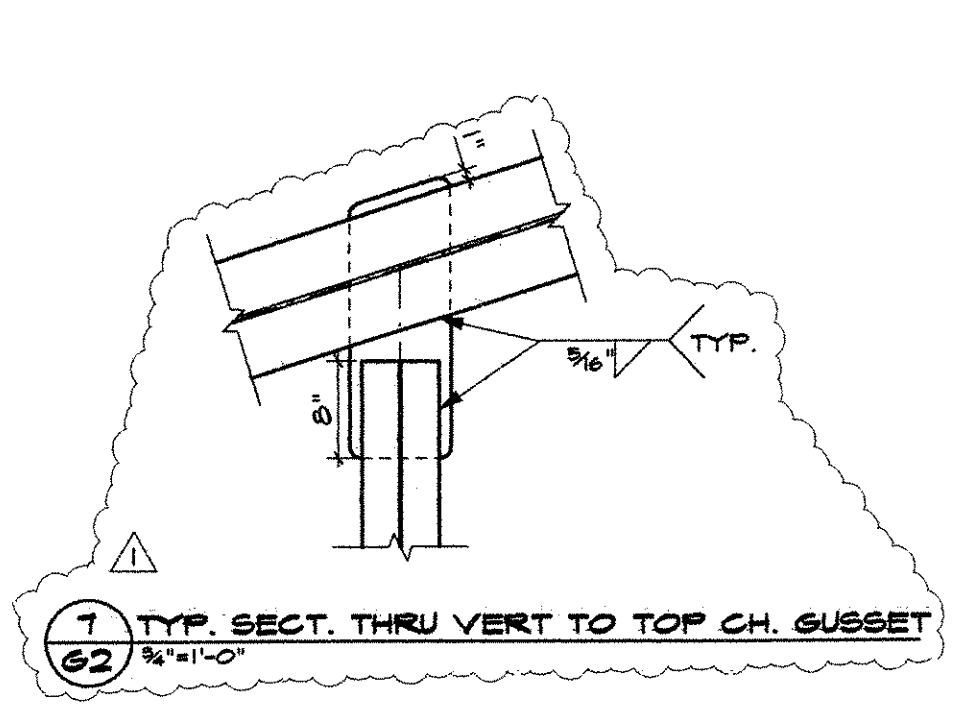
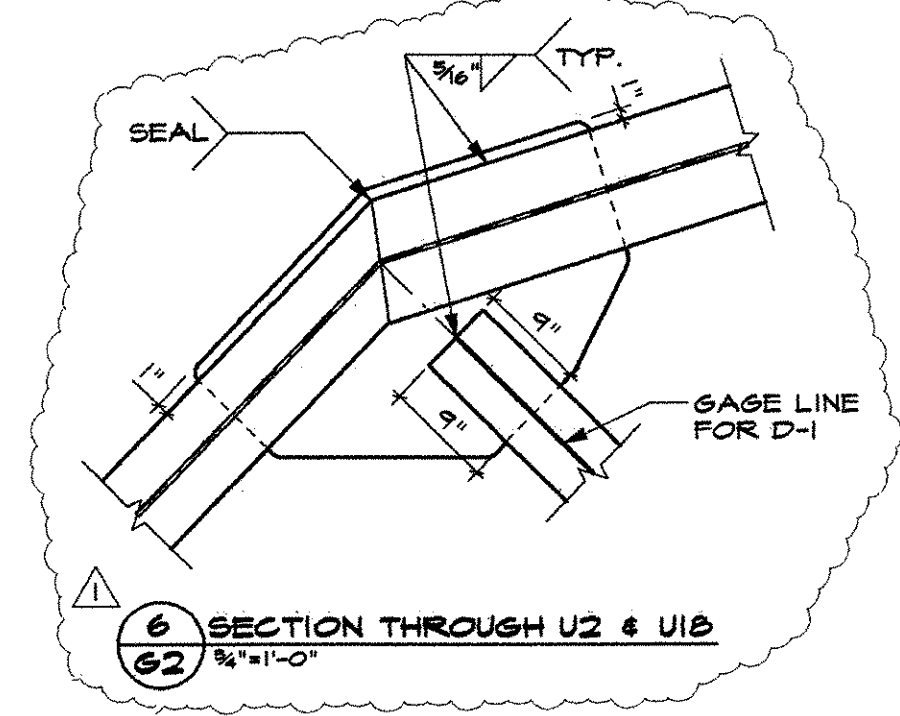
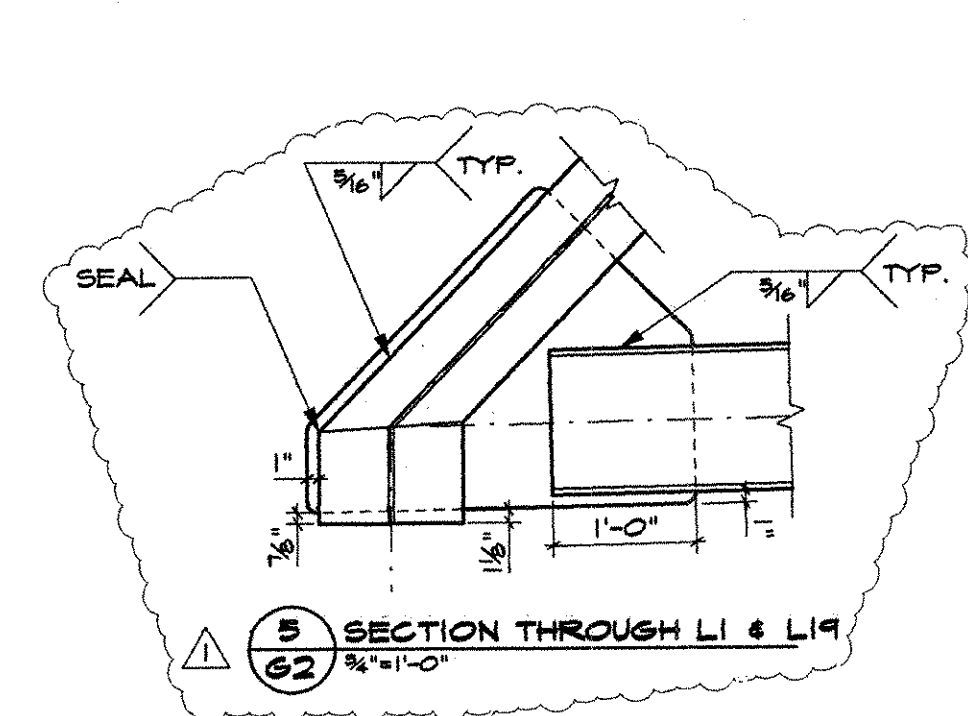
2 INSIDE GUSSET L5 (2 REQ'D)  
INSIDE GUSSET L15 OPPOSITE HAND (2 REQ'D)



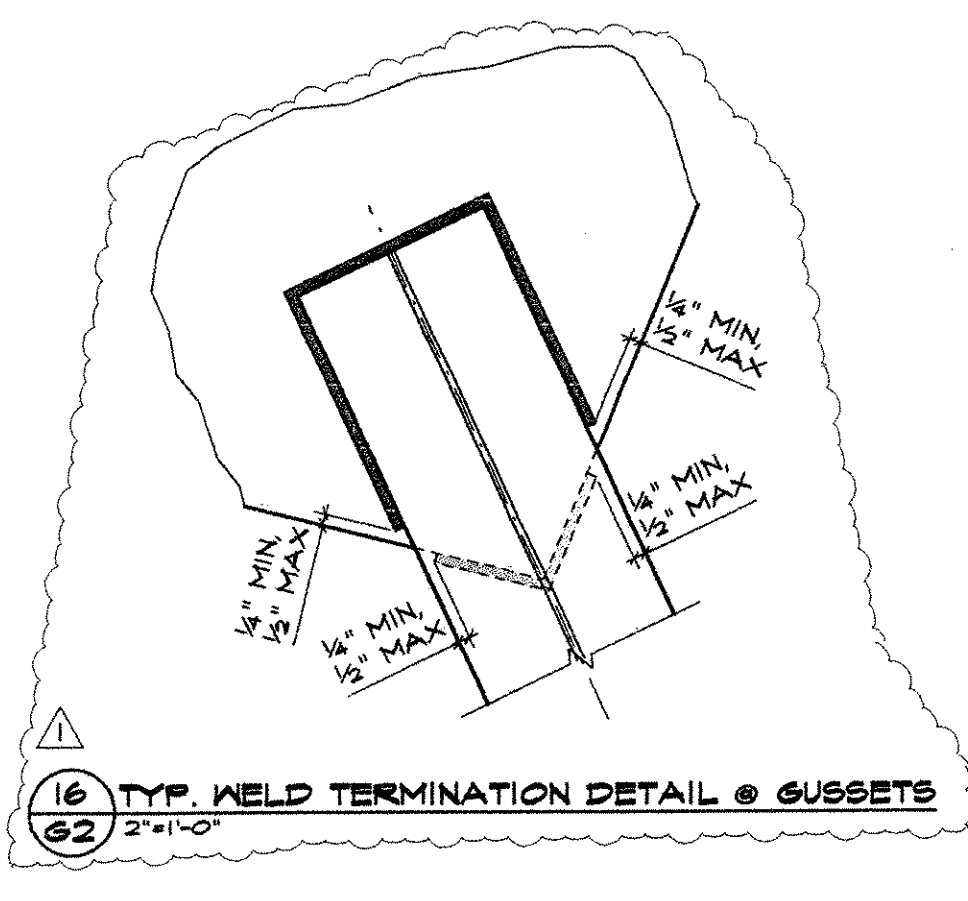
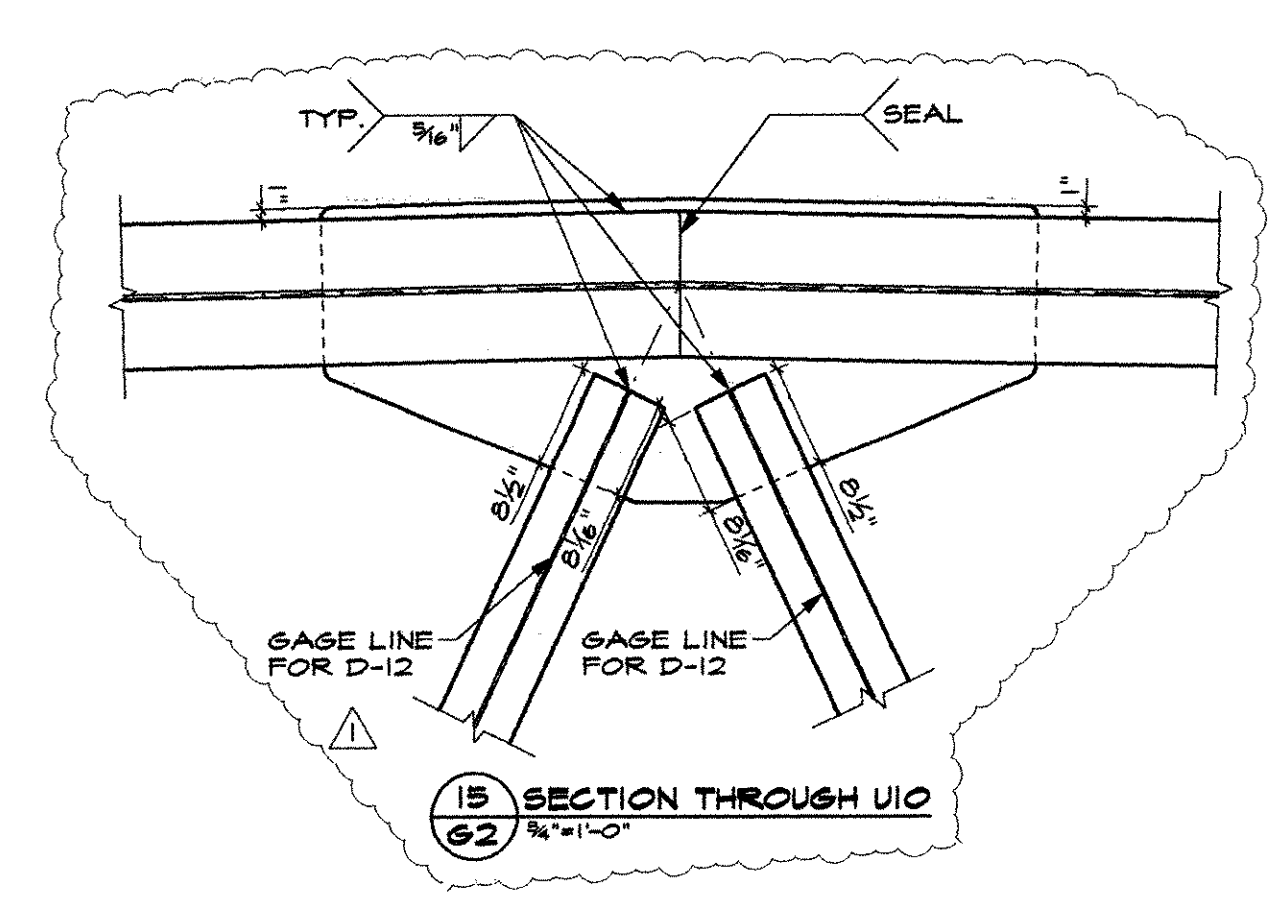
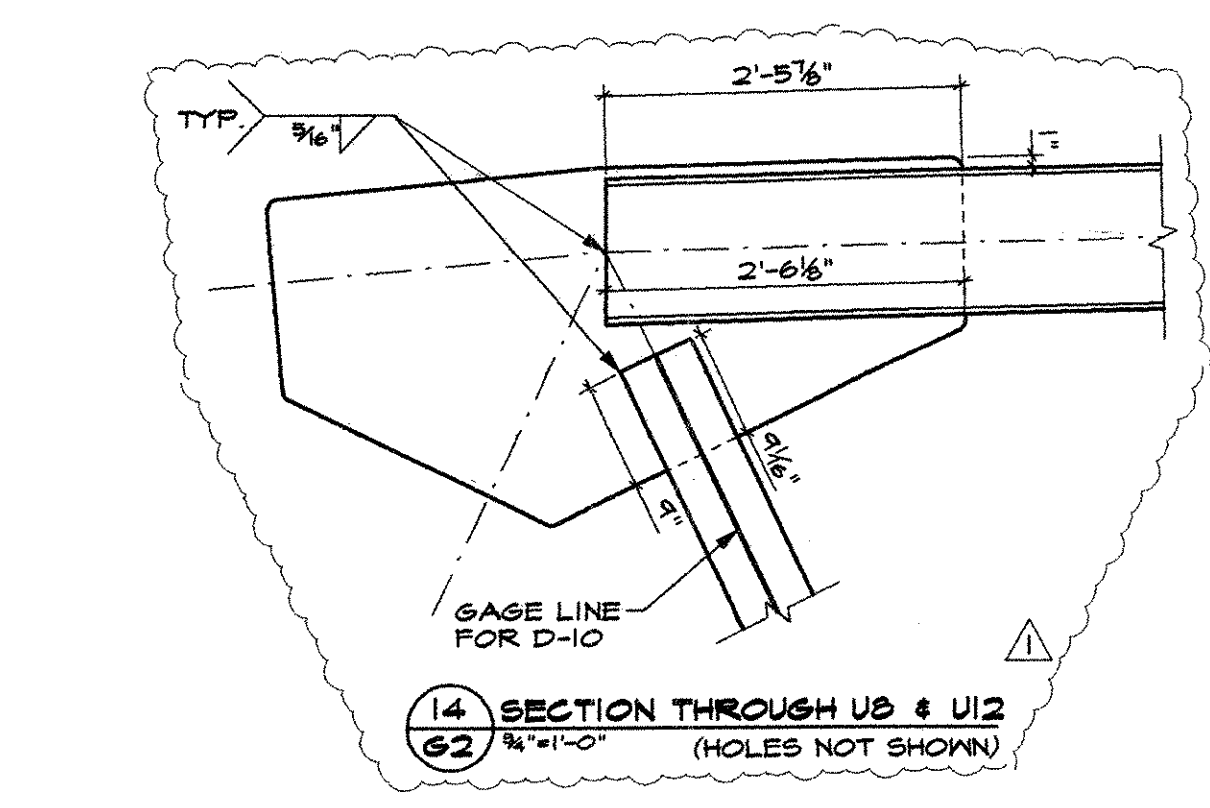
3 INSIDE GUSSET L7 (2 REQ'D)  
INSIDE GUSSET L13 OPPOSITE HAND (2 REQ'D)



4 INSIDE GUSSET L9 (2 REQ'D)  
INSIDE GUSSET L11 OPPOSITE HAND (2 REQ'D)



JUN 28 2007  
CPM CONSTRUCTORS



APPROVAL STAMP:  
 NO EXCEPTION TAKEN  
 REJECTED  
 SUBMIT DISCREPANT ITEM  
 MAKE CORRECTIONS NOTED  
 REVISE AND REAPPRAISE  
 CHECKING IS ONLY FOR GENERAL COMPLIANCE WITH DESIGN CONCEPT OF THE PROJECT AND DOES NOT CONSTITUTE A WARRANTY OR GUARANTEE. THE CONTRACTOR SHALL BE RESPONSIBLE FOR A DETAILED INSPECTION OF ALL STEEL THROUGH AND THE SATISFACTORY PERFORMANCE THEREOF.  
 GLENN HARDY  
 ENGINEER  
 DATE 7/1/07

MATERIAL	ELECTRODES	HOLES	SHOP BOLTS
ASTM A709 GR50	E-70XX	3/16"	NONE
SURFACE PREP & PAINT: SSPC SP-6, GALVANIZE IN ACCORDANCE WITH ASTM A123			
DESCRIPTION: GUSSET PLATE DETAILS & WELDMENTS			DRAWN BY: DATE:
JOB: ST. JOHNSBURY VERMONT, TOWN HIGHWAY #85 OVER THE PASSUMPSIC RIVER BRIDGE #29			ETC MAY 2007
CALDWELL ENGINEERING ETC LLC 100 WINDY HILL RD. FREEPORT ME 04939 PH: (207) 732-4000			
PROJ. NO. BRO-1447(19)			JOB NO. DRG. NO.
CUSTOMER: CPM CONSTRUCTORS, FREEPORT MAINE PH. (207) 865-0000			62
CASCO BAY STEEL STRUCTURES		75 SPRING HILL ROAD PH. (207) 282-7360	SACD, MAINE 04072 FAX (207) 282-1179
		08/2/07	REV. A