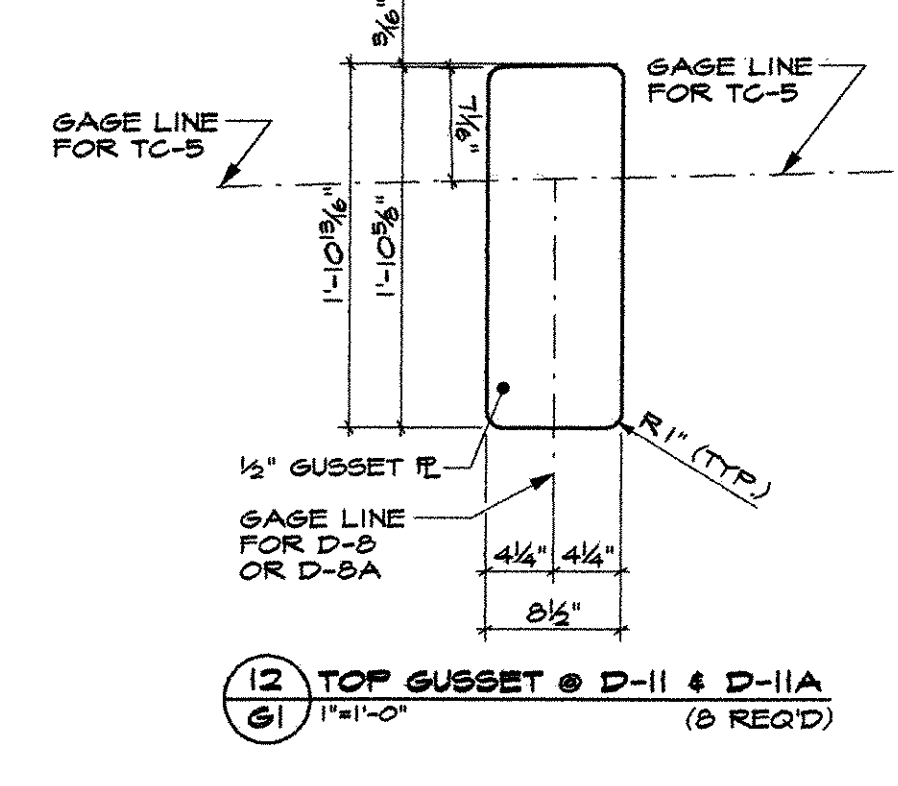
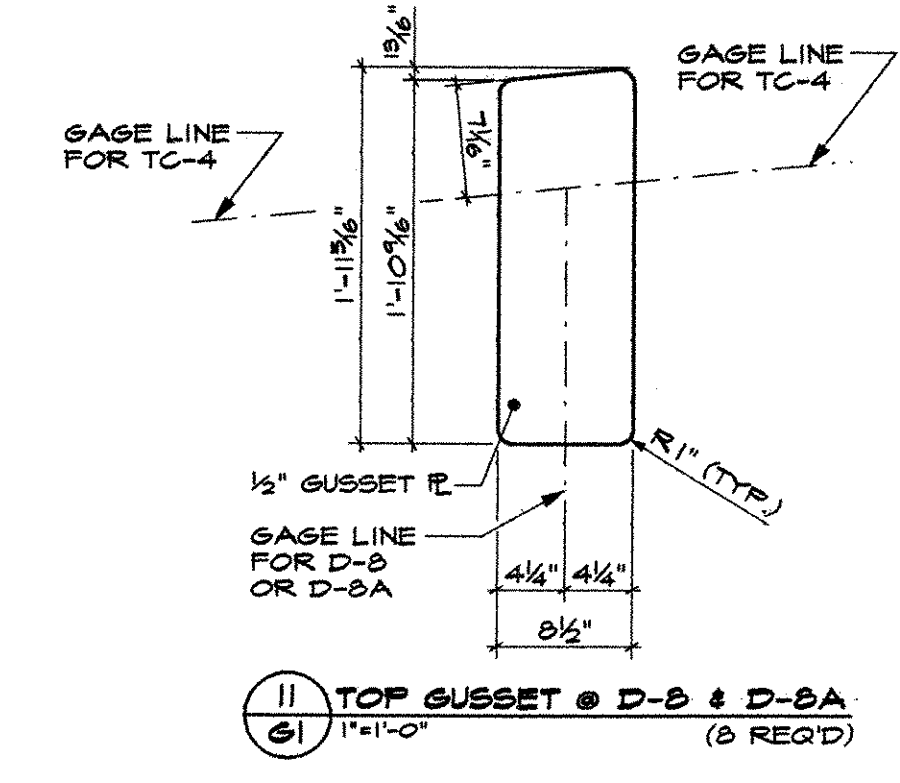
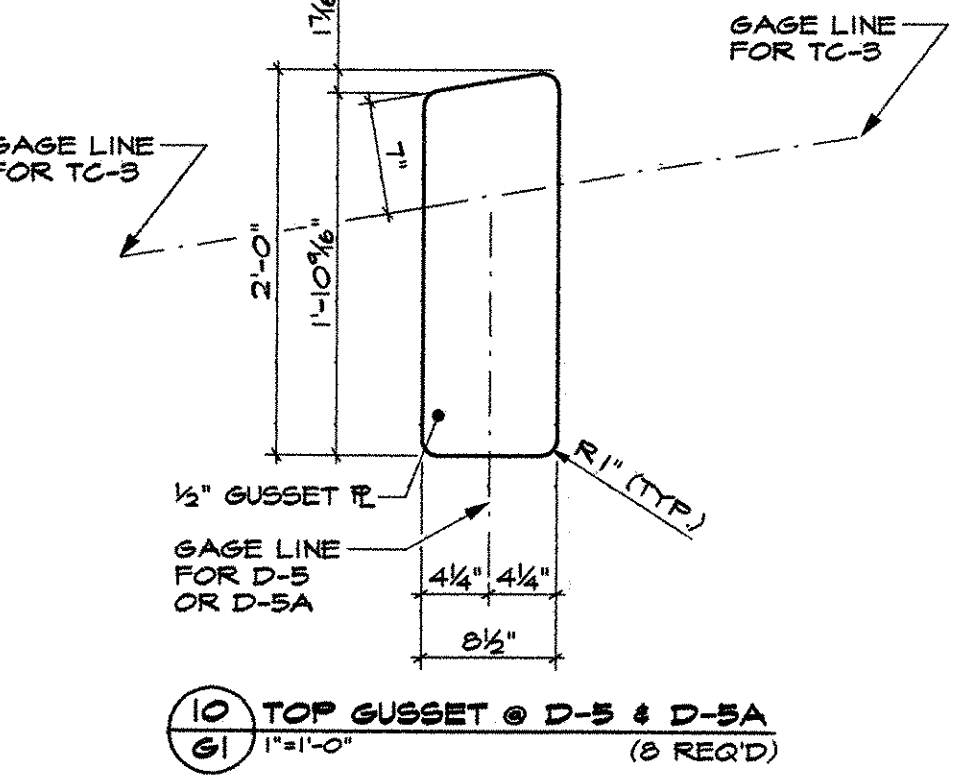
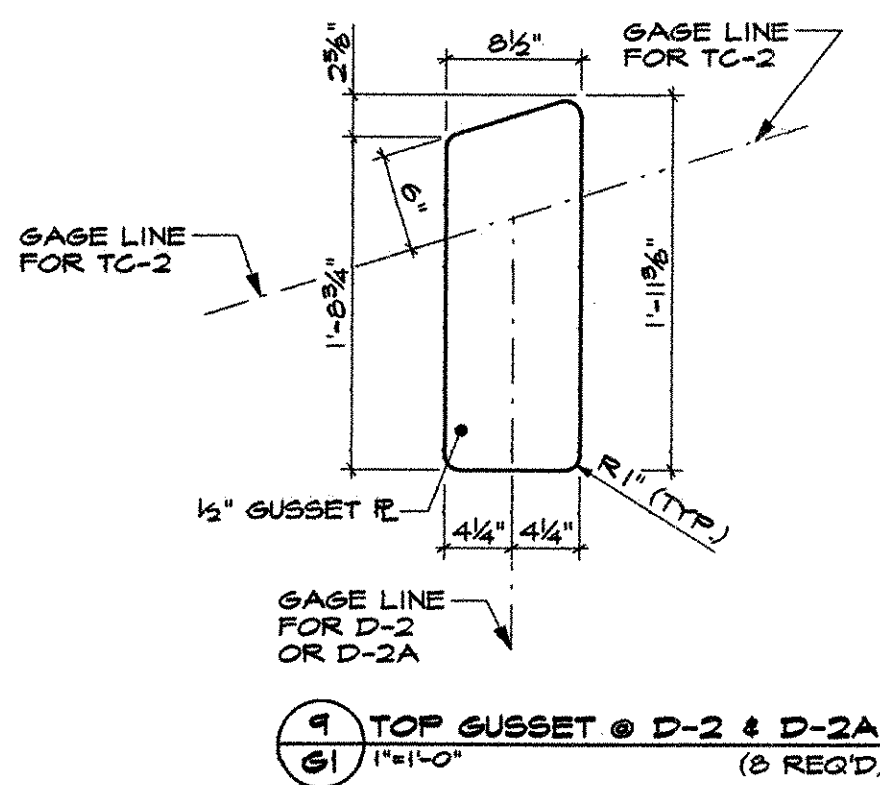
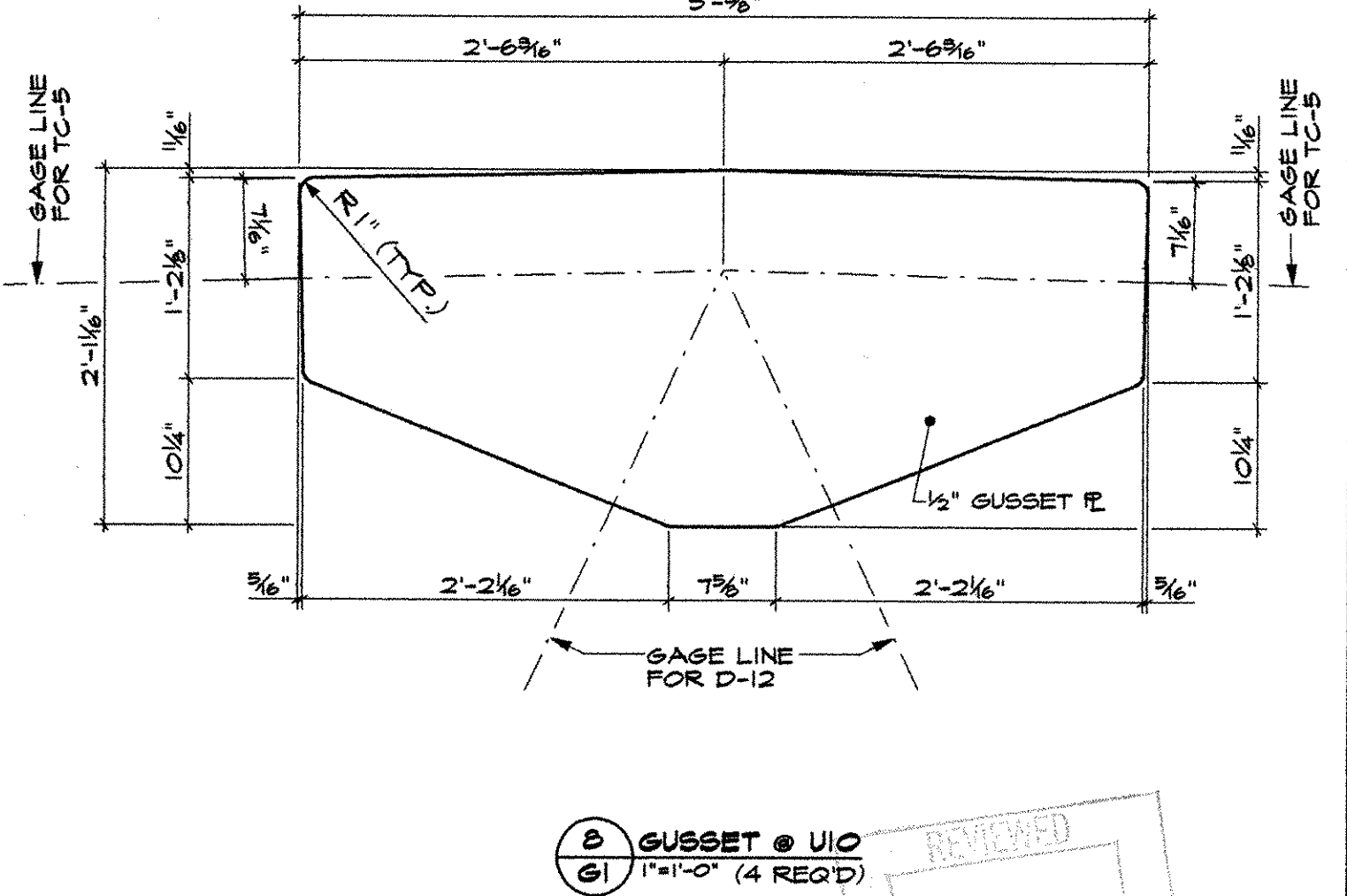
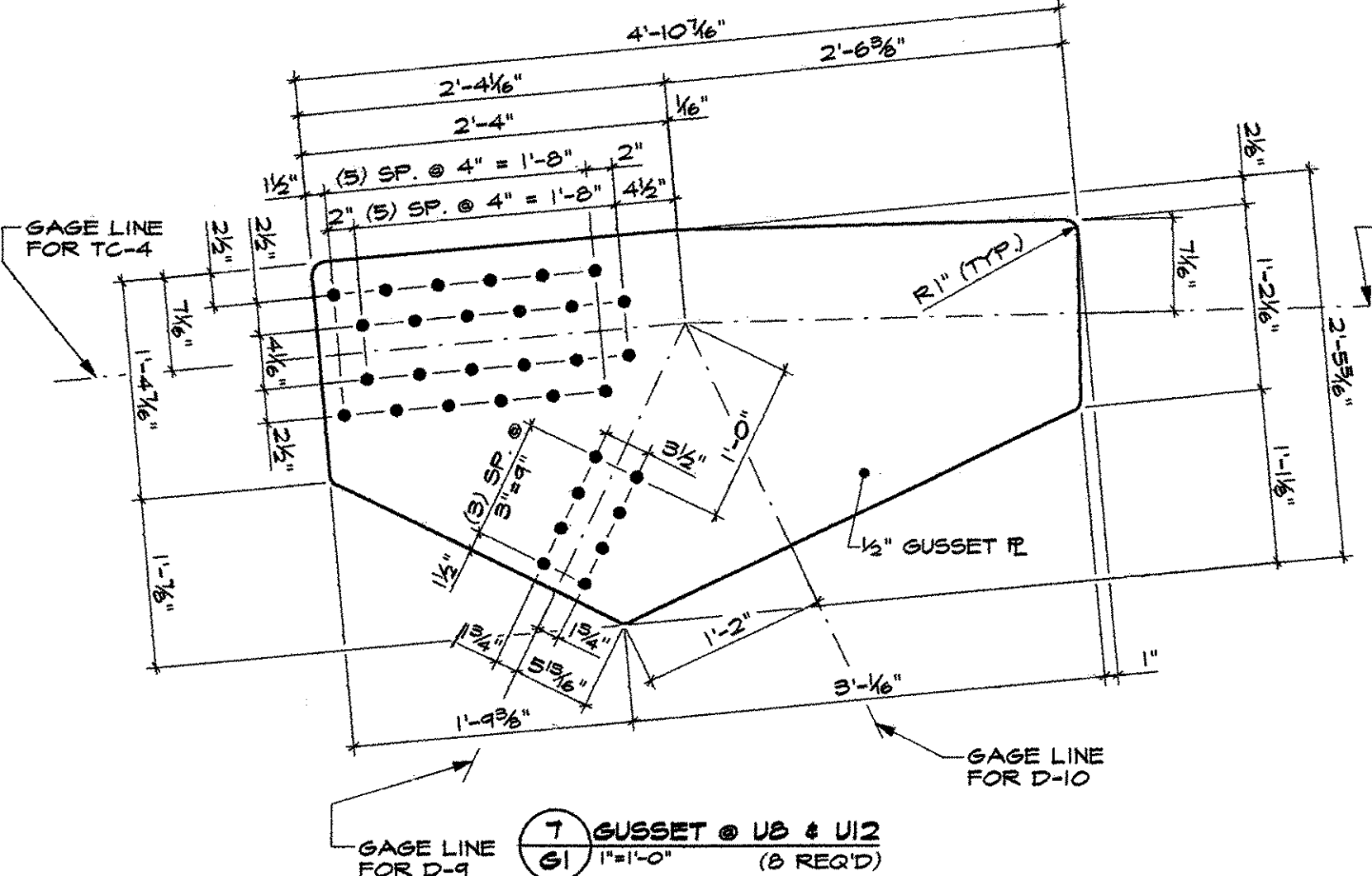
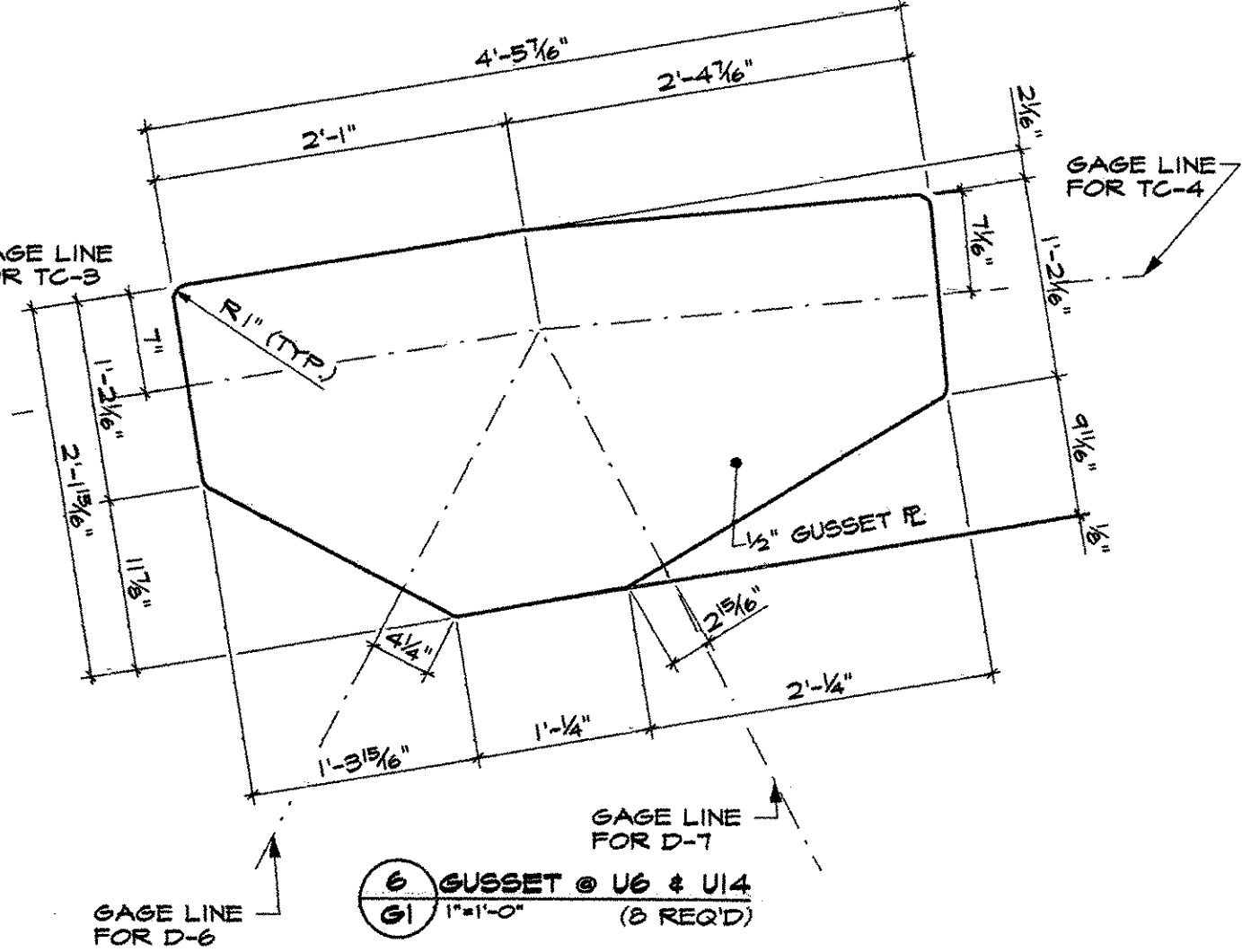
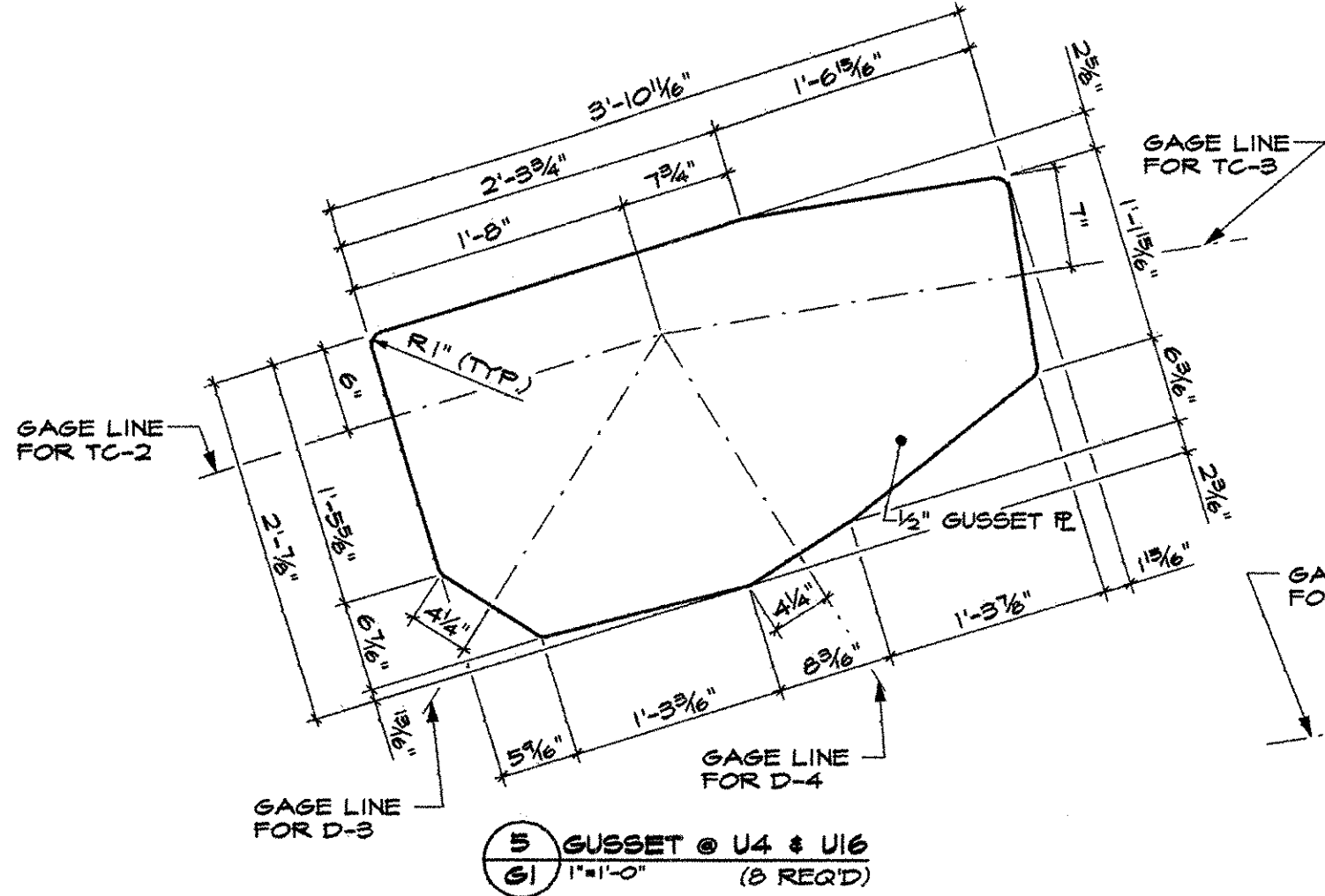
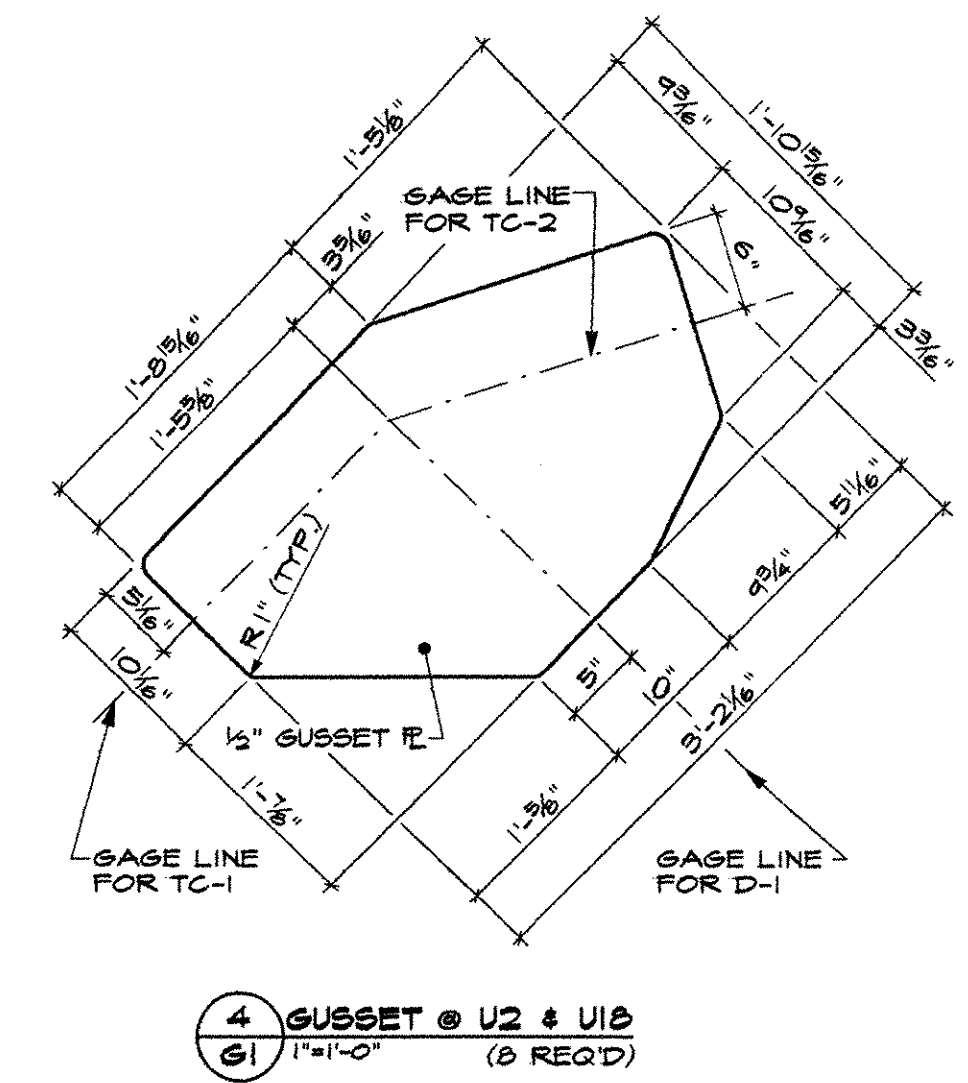
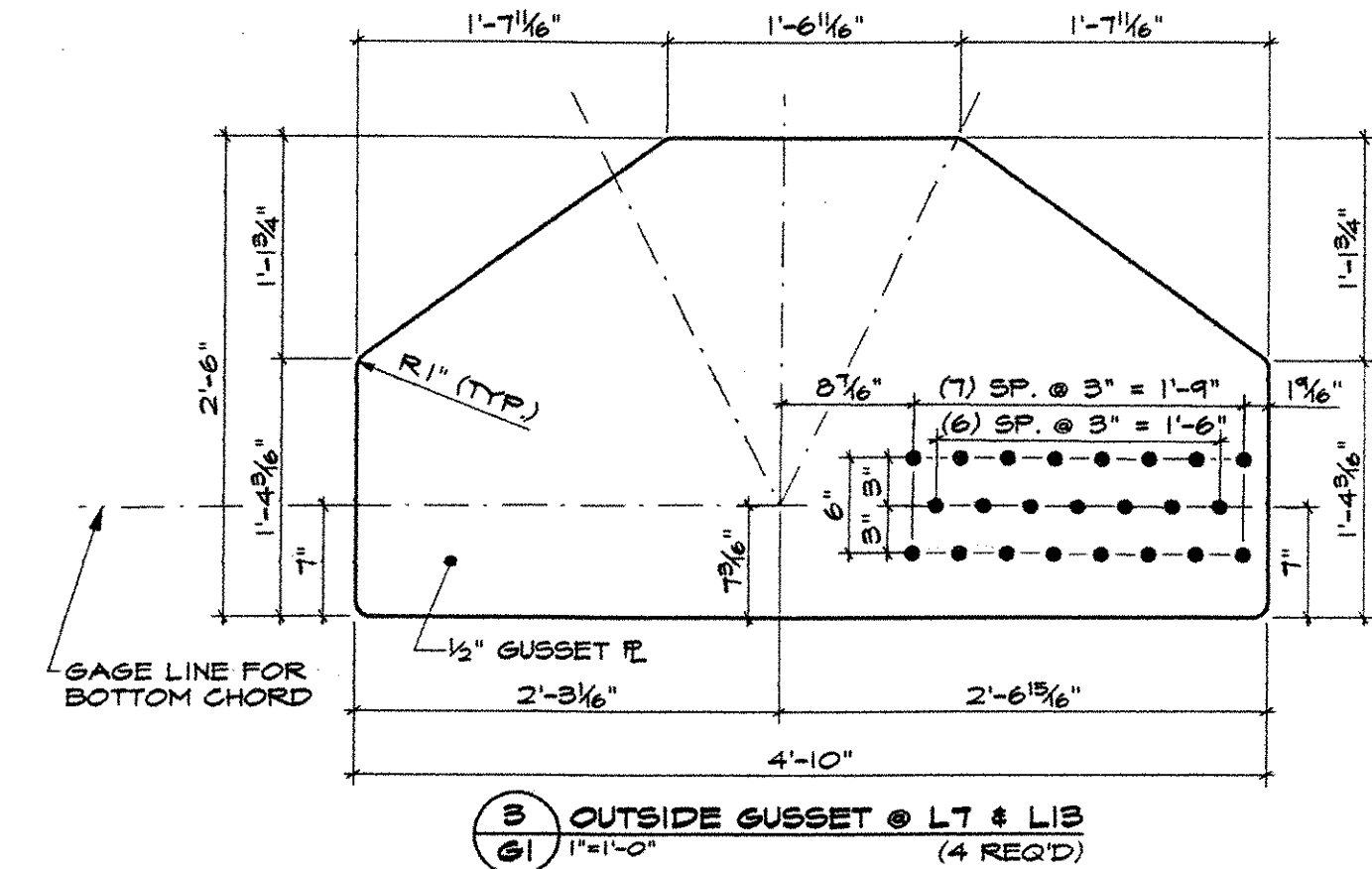
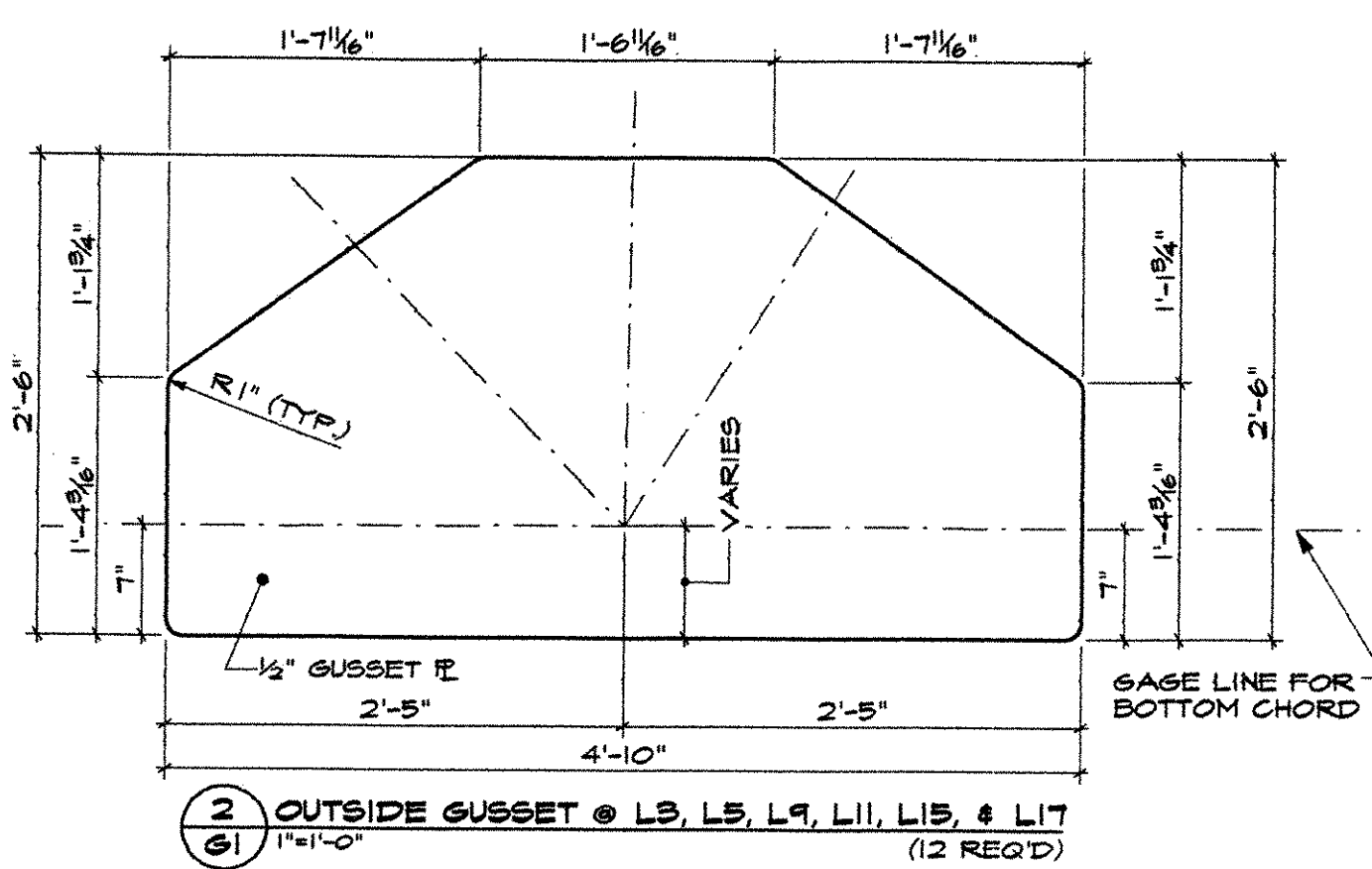
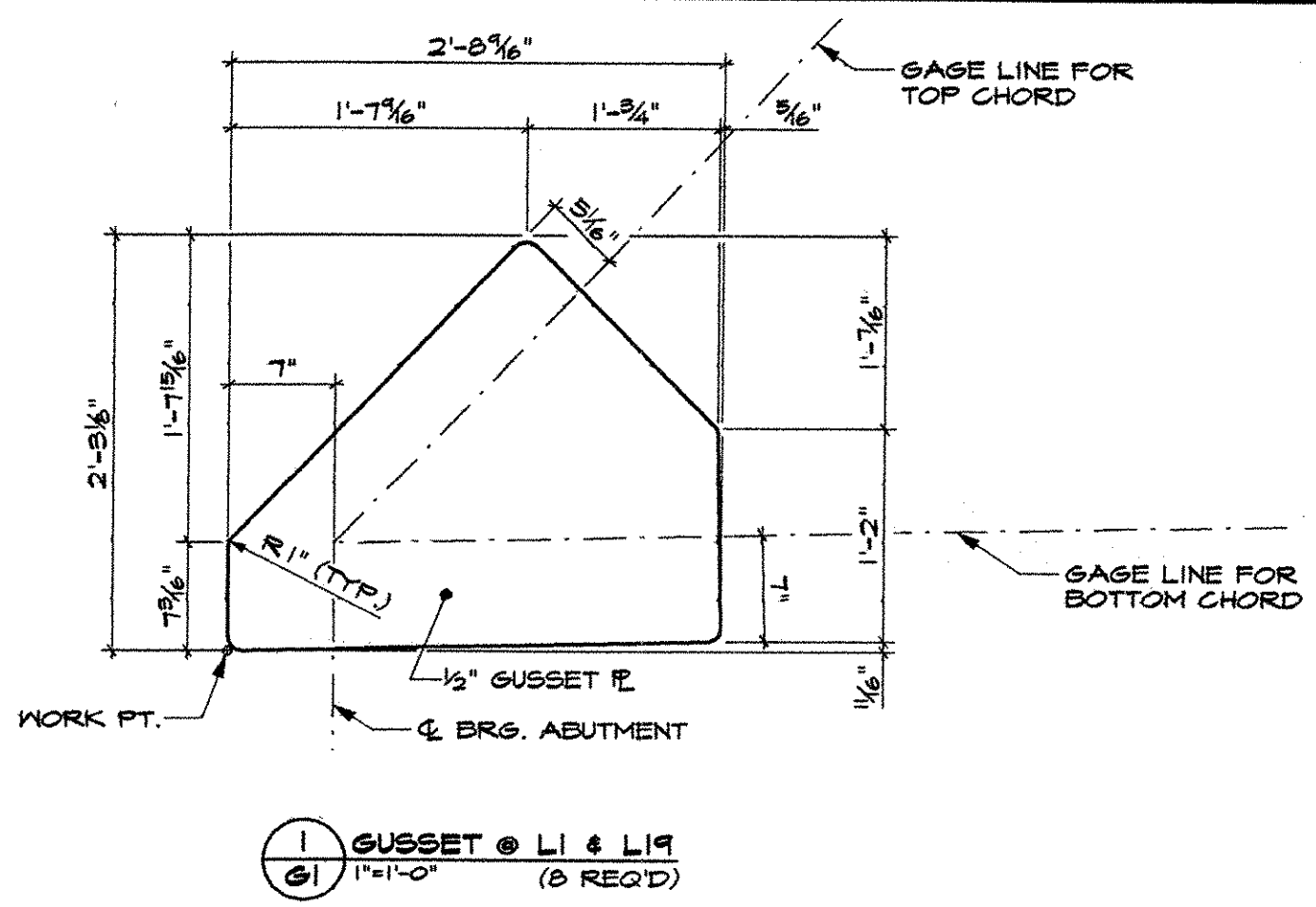


Filename: ...00\bridge\mista\G1\_GUSSET.dgn Date: 6/28/2007



**APPROVAL STAMP:**  
 NO EXCEPTION TAKEN  
 REJECTED  
 ASSE CORRECTIONS NOTED  
 REVISE AND RESUBMIT  
 SUBMIT SPECIFIED ITEM  
 CHECKING IS ONLY FOR GENERAL CONFORMANCE WITH THE DESIGN INTENT OF THE PROJECT AND DOES NOT CONSTITUTE AN ENDORSEMENT OF THE CONTRACTOR'S WORK. CONTRACTOR IS RESPONSIBLE FOR PROTECTING HIS OWN WORK AND THE SATISFACTORY PERFORMANCE OF HIS WORK.  
 CLOUGH HARBOUR & ASSOCIATES, INC.  
 75 SPRING HILL ROAD  
 SACD, MAINE 04072  
 PH. (207) 282-7360

MATERIAL	ELECTRODES	HOLES	SHOP BOLTS
ASTM A109 GR50	E-70XX	3/8"	NONE
SURFACE PREP & PAINT: SSPC SP-6, GALVANIZE IN ACCORDANCE WITH ASTM A123			
DESCRIPTION: GUSSET PLATE DIMENSIONAL DETAILS		DRAWN BY:	DATE:
JOB: ST. JOHNSBURY VERMONT, TOWN HIGHWAY #25 OVER THE PASSUMPSIC RIVER BRIDGE #29		ETC	MAY 2007
CLOUGH HARBOUR & ASSOCIATES, INC. PROJ. NO. BR0-1447(19) CUSTOMER: CPM CONSTRUCTORS, FREEPORT MAINE PH. (207) 865-0000 <b>CASCO BAY STEEL STRUCTURES</b>			
75 SPRING HILL ROAD PH. (207) 282-7360		SACD, MAINE 04072 FAX (207) 282-1179	JOB NO. DRG. NO. 08155 G1

