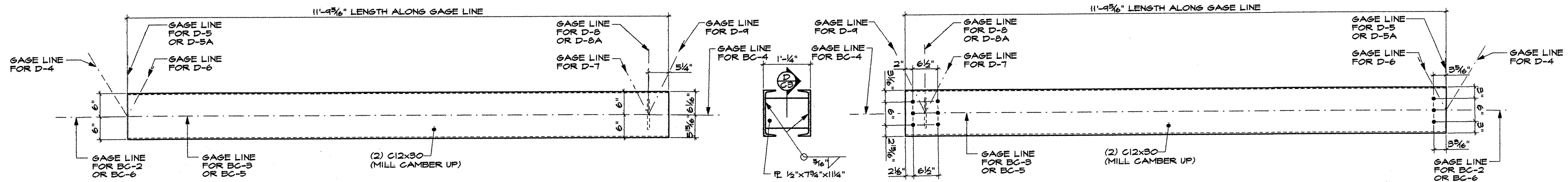
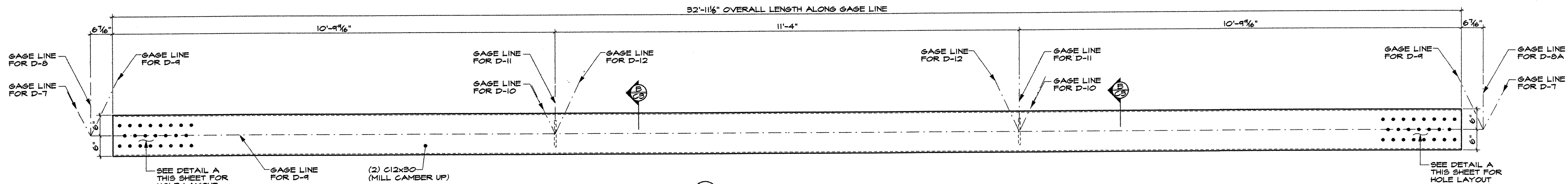


Filename: ... \00\bridge\msta\c3_CHORD.dgn

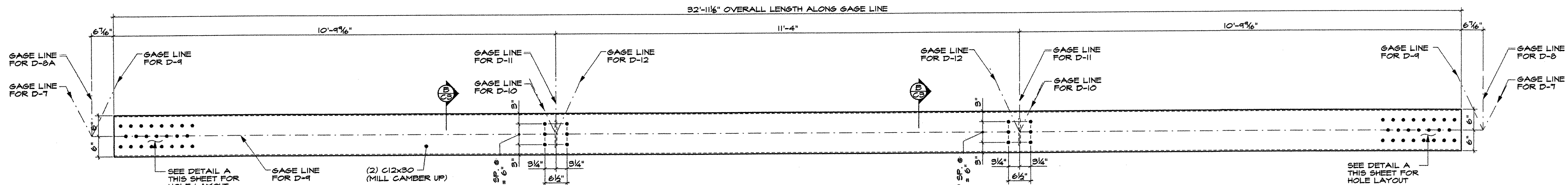
Date: 6/28/2007



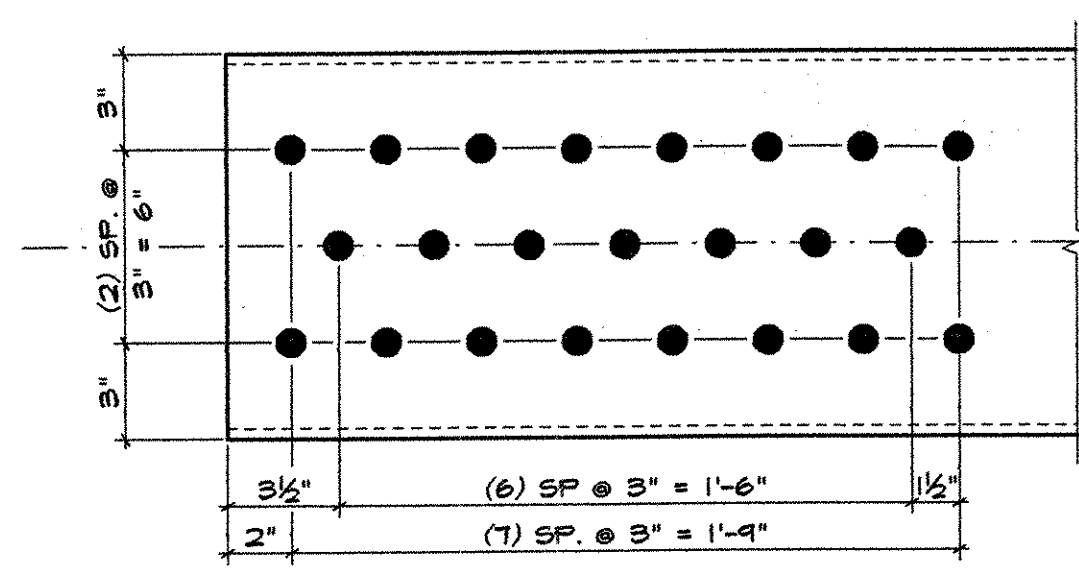
1 BC-3 PLAN
CB 3/4" x 1'-0" (2) REQ'D
BC-5 OPPOSITE HAND (2) REQ'D



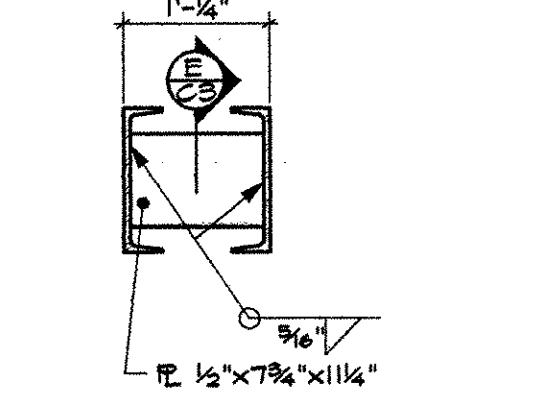
2 BC-4 LEFT ELEVATION
CB 3/4" x 1'-0" (2) REQ'D



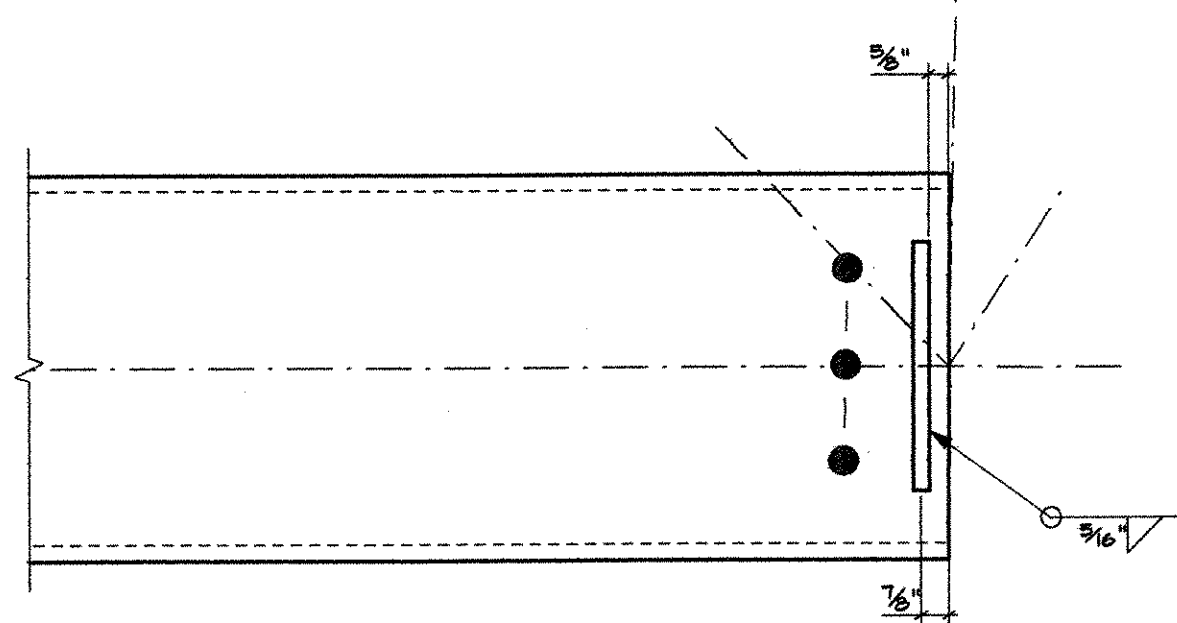
3 BC-4 RIGHT ELEVATION
CB 3/4" x 1'-0" (2) REQ'D



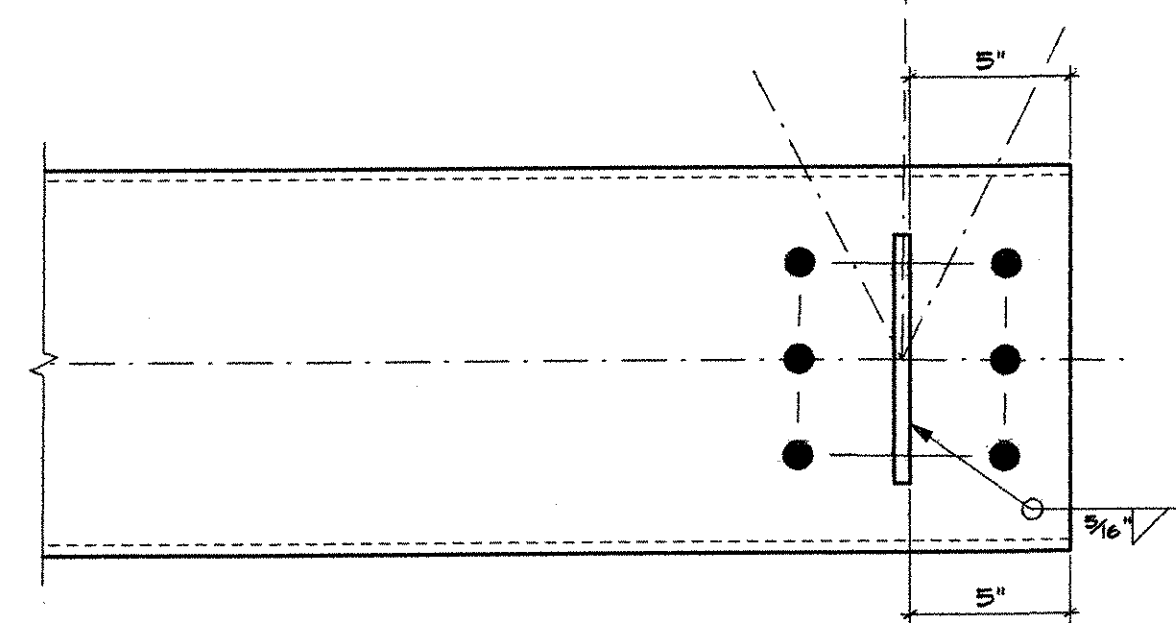
A BOTTOM CHORD SPLICE HOLE LAYOUT
CB 2'-1'-0"



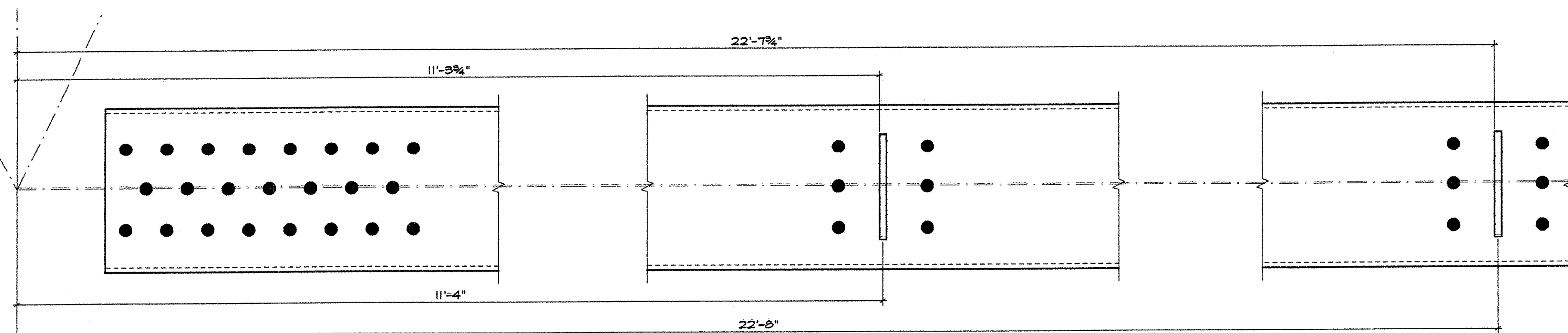
B SECTION OF STIFFENER
CB 3/4" x 1'-0"



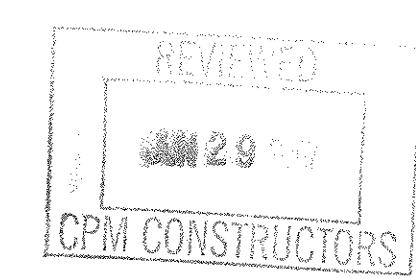
C BOTTOM CHORD STIFFENER LOCATION
CB 2'-1'-0"



D BOTTOM CHORD STIFFENER LOCATION
CB 2'-1'-0"



E BOTTOM CHORD STIFFENER LOCATION
CB 2'-1'-0"



APPROVAL STAMP:
 DESIGNER
 CHECKED
 SUBMITTAL MARKED
 MAKE CONNECTIONS NOTED
 REVISIONS INDICATED
 SUBMITTAL MARKED
 CONCERNED IS ONLY FOR GENERAL CONSTRUCTION WITH THE
 GENERAL CONTRACTOR OF THE PROJECT. THIS IS NOT A
 CONTRACT DOCUMENT. ANY CONTRACT DOCUMENT SHALL
 BE THE SUPERSEDING DOCUMENT. CONTRACTOR SHALL
 CONTRACTOR IS RESPONSIBLE FOR OBTAINING ALL
 SHALL BE RESPONSIBLE FOR OBTAINING ALL
 PARTS, MATERIALS, AND EQUIPMENT. CONTRACTOR SHALL
 CONSTRUCTION. CONTRACTOR SHALL BE RESPONSIBLE FOR THE
 OF ALL OTHER STATES AND THE CONTRACTOR'S
 PERFORMANCE OF THIS WORK.

CLASH HARBOR ASSOCIATES LLP
 7/12/07

MATERIAL	ELECTRODES	HOLES	SHOP BOLTS
ASTM A109 GR.50	E-70XX	3/8"	NONE
SURFACE PREP & PAINT: SSPC SP-6, GALVANIZE IN ACCORDANCE WITH ASTM A123			
DESCRIPTION: BOTTOM CHORD DETAILS		DRAWN BY: DATE:	
JOB: ST. JOHNSBURY VERMONT, TOWN HIGHWAY #85 OVER THE PASSUMPSIC RIVER BRIDGE #24		ETC MAY 2007	
CALDWELL ENGINEERING ETC. LLC 100 W. MAIN ST. FREEPORT, ME 04035-1001			
PROJ. NO. BRO-1447(14)			
CUSTOMER: CPM CONSTRUCTORS, FREEPORT MAINE PH. (207) 865-0000			
CASCO BAY STEEL STRUCTURES		JOB NO.	DRG. NO.
75 SPRING HILL ROAD			CB
PH. (207) 282-7360		SACD, MAINE 04072	REV.
		FAX (207) 282-1179	037055