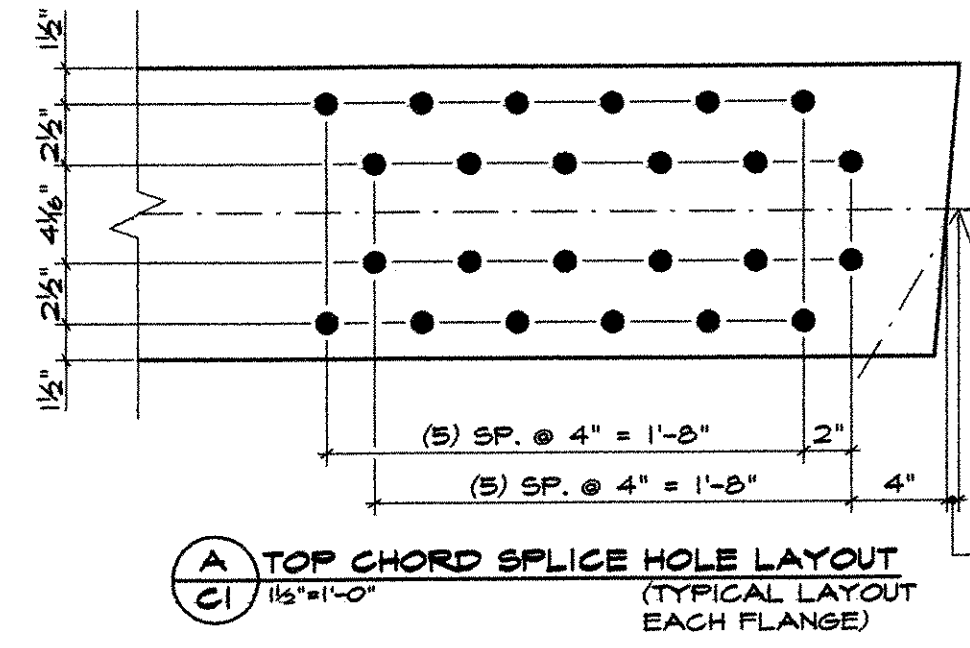
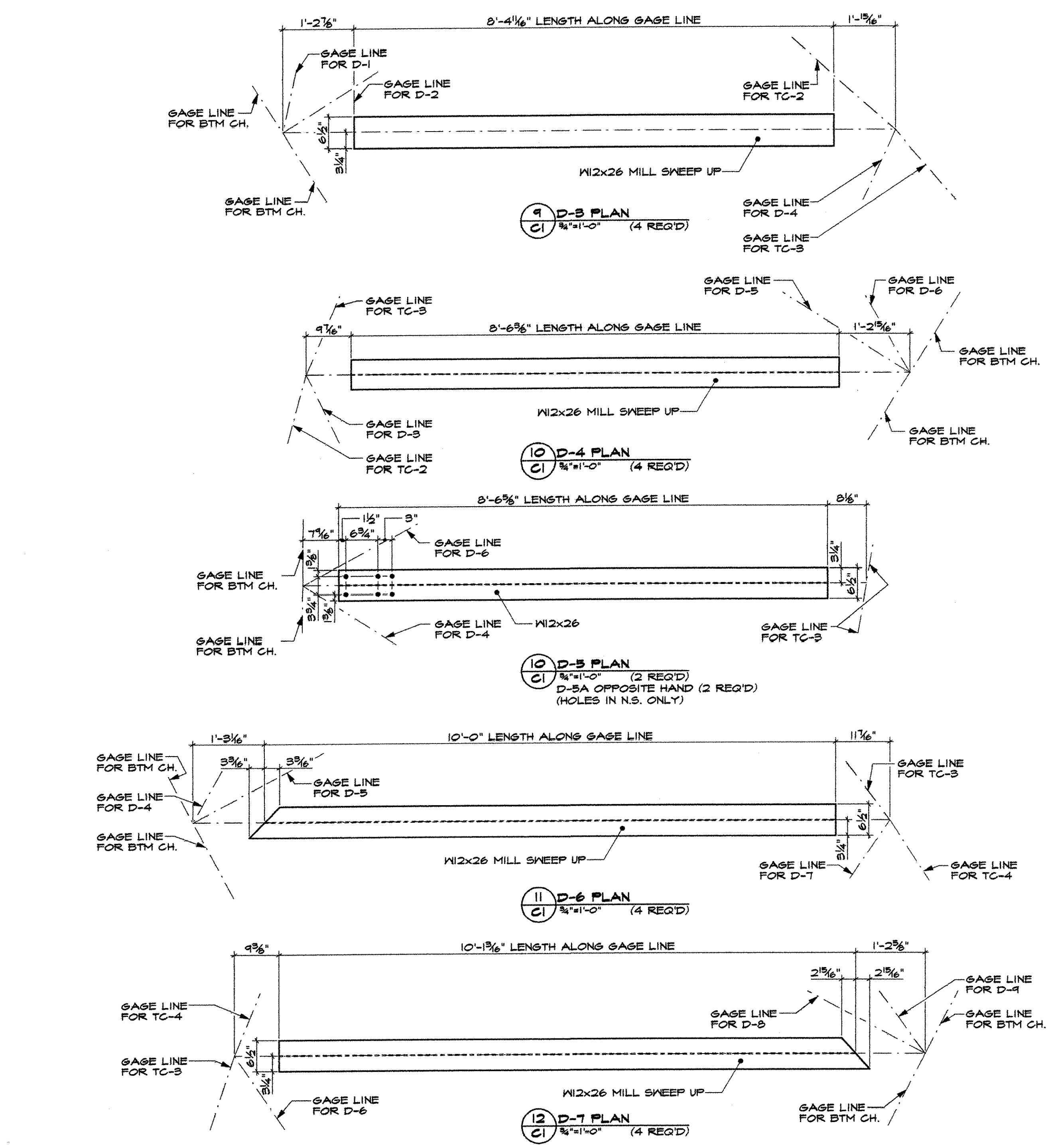
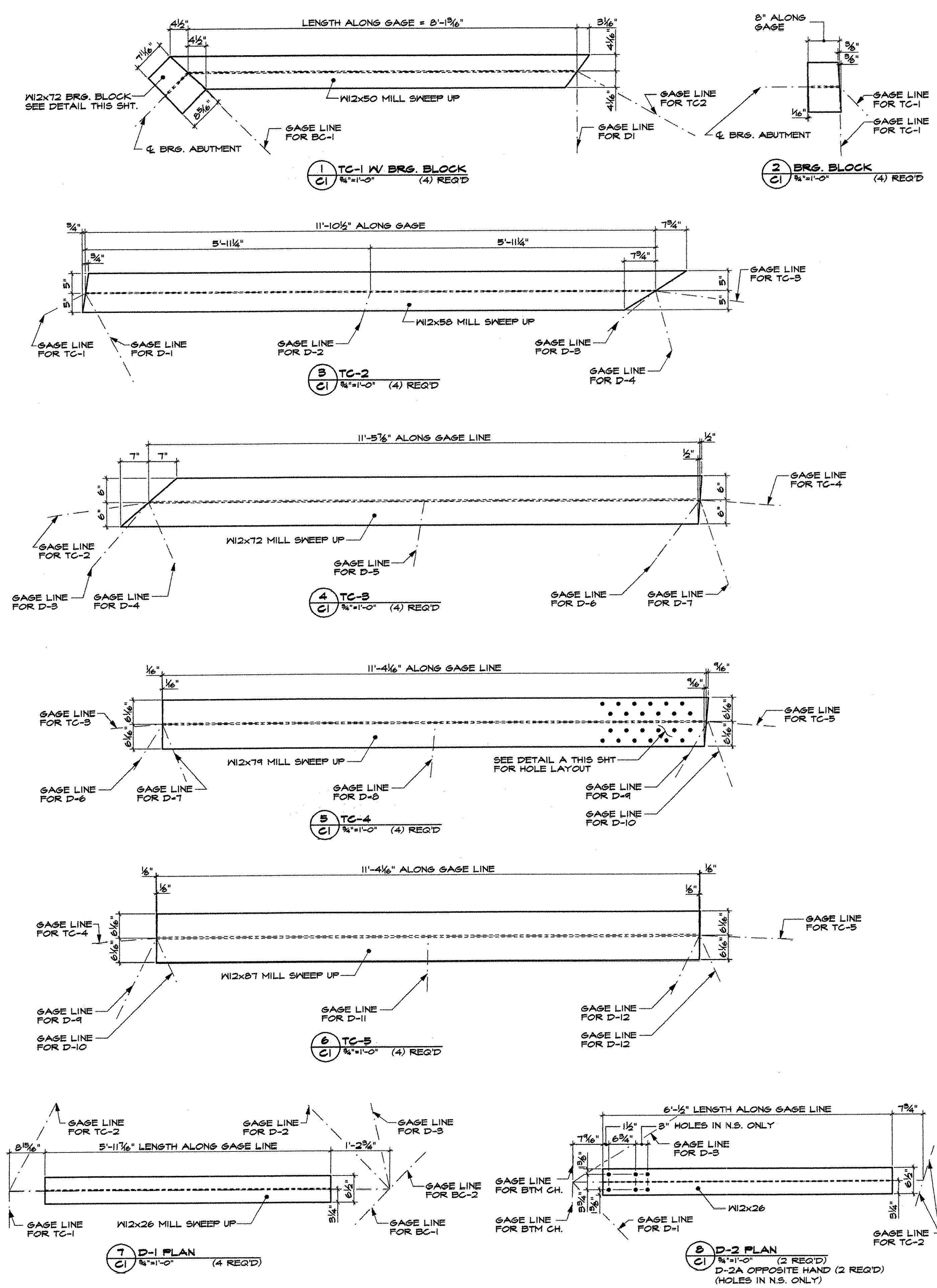


Filename: ... \00\bridge\msta\CL_CHORD.dgn

Date: 6/28/2007



APPROVAL STAMP:

NO EXCEPTION TAKEN MAKE CORRECTIONS NOTED

REJECTED FORWARDED AND REINSTATED

SUBMIT SPECIFIED ITEMS

DESIGNED IN ACCORDANCE WITH THE DESIGN SPECIFICATIONS FOR BRIDGE AND HIGHWAY CONSTRUCTION, WITH THE MODIFICATIONS GIVEN IN THE CONTRACT DOCUMENTS. ALL APPROVALS ARE SUBJECT TO THE REQUIREMENTS OF THE FEDERAL AND STATE CONSTRUCTION SPECIFICATIONS FOR BRIDGE AND HIGHWAY CONSTRUCTION. THE CONTRACTOR SHALL BE RESPONSIBLE FOR THE PROTECTION OF ALL UTILITIES, STRUCTURES AND FEATURES OF THE PROJECT. THE CONTRACTOR SHALL BE RESPONSIBLE FOR THE PROTECTION OF ALL UTILITIES, STRUCTURES AND FEATURES OF THE PROJECT. THE CONTRACTOR SHALL BE RESPONSIBLE FOR THE PROTECTION OF ALL UTILITIES, STRUCTURES AND FEATURES OF THE PROJECT.

CLASHY PAPERWORK SUBMITTER'S SIGNATURE: [Signature]

REVIEWED
JUN 29
2007

MATERIAL	ELECTRODES	HOLES	SHOP BOLTS
ASTM A709 GR.50	E-70XX	5/16"	NONE
SURFACE PREP & PAINT: SSPC SP-6, GALVANIZE IN ACCORDANCE WITH ASTM A123			
DESCRIPTION:	TOP CHORD & DIAGONAL DETAILS	DRAWN BY:	DATE:
JOB:	ST. JOHNSBURY VERMONT, TOWN HIGHWAY #85 OVER THE PASSUMPSIC RIVER BRIDGE #24	ETC	MAY 2007
CALDWELL ENGINEERING ETC. LLC 400 WASHINGTON ST. SUITE 200 FREETOWN MAINE 04730-1100			
PROJ. NO. BRO-1447(14)			
CUSTOMER: CPM CONSTRUCTORS, FREEPORT MAINE PH. (207) 865-0000			
CASCO BAY STEEL STRUCTURES		JOB NO.	DRG. NO.
75 SPRING HILL ROAD PH. (207) 282-7360		SACD, MAINE 04072 FAX (207) 282-1179	07855
		REV.	C1