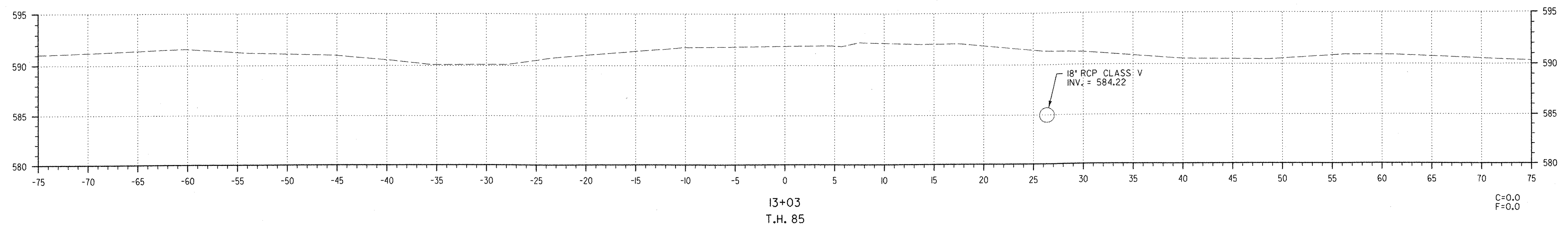
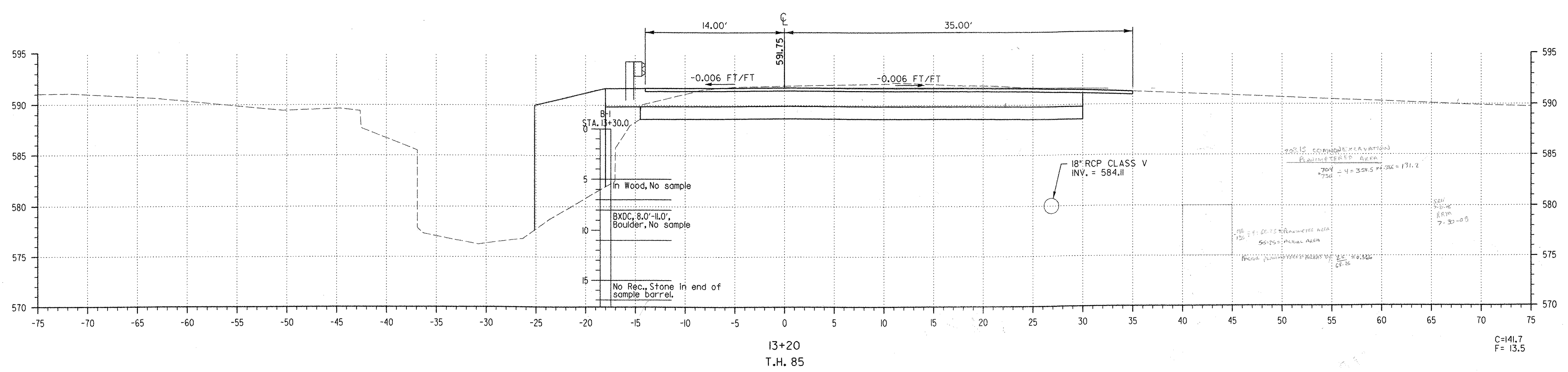


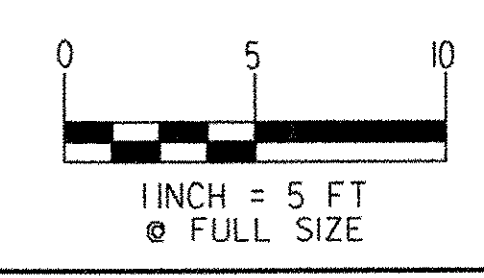
CADD
GWP
12-22-09

13+25
F.G. 591.74



FILE NAME = u:\3797\mstr\03\final\3797sect.dgn
USER = 2467

DATUM	
VERTICAL	NAVD 88
HORIZONTAL	N/A



CROSS SECTIONS T.H. 85	SURVEYED BY	W. DEYETTE	DATE	10/93
	DRAWN BY	C. KAHLBAUGH	DATE	7/06
	SQUAD LEADER	J. P. HALSTEAD		
	DESIGN FILE NO.	3797SECT.DGN		
IPARM FILE		DATE PLOTTED	12/20/2006	
PROJ. NAME	ST. JOHNSBURY, BRIDGE NO. 29			
PROJ. NO.	BRO 1447(19)			
SHEET	59 OF 72 SHEETS			