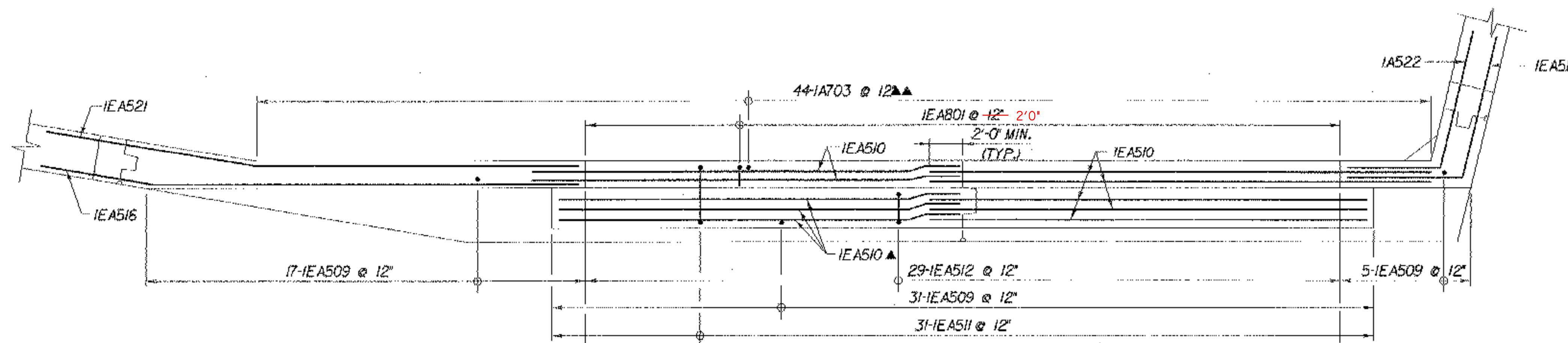
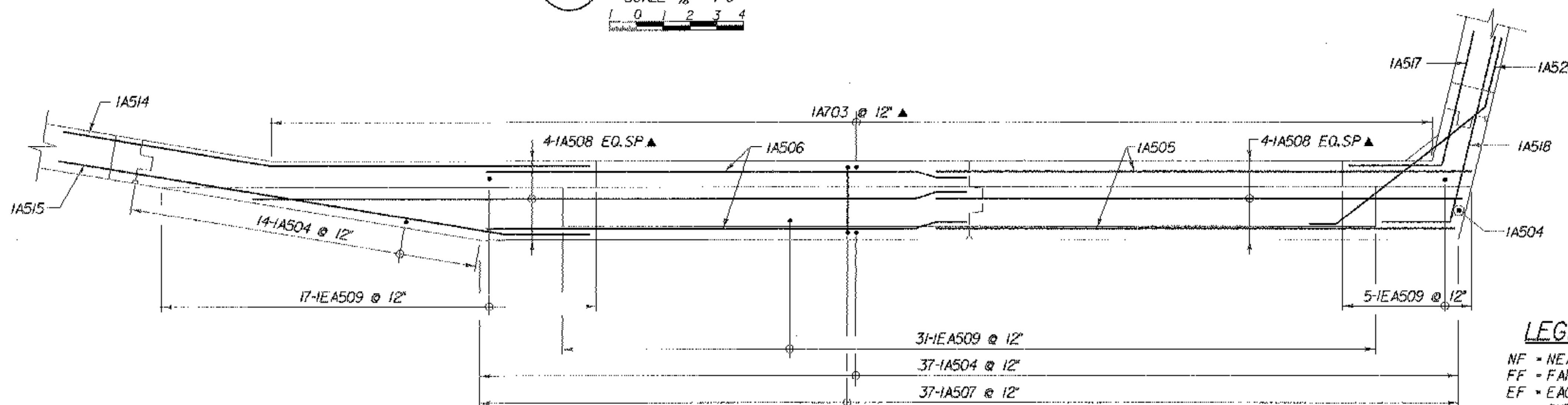


E TOP OF BACKWALL AND TOP OF PEDESTAL REINFORCING PLAN
 BR113 SCALE 3/8" = 1'-0"
 0 1 2 3 4



F BACKWALL AND PEDESTAL REINFORCING PLAN
 BR113 SCALE 3/8" = 1'-0"
 0 1 2 3 4



G STEM REINFORCING PLAN
 BR113 SCALE 3/8" = 1'-0"
 0 1 2 3 4

NOTES:
 1. 3" CLR. UNLESS OTHERWISE SPECIFIED ON THE PLANS.

LEGEND:
 NF = NEAR FACE
 FF = FAR FACE
 EF = EACH FACE
 ▲ = CUT TO FIT IN FIELD

**STATE OF VERMONT
 AGENCY OF TRANSPORTATION**

Town Of	ST. JOHNSBURY	Bridge No.	29
Highway No.	T.H. 85	Log Sta.	
DEPOT HILL ROAD OVER THE PASSUMPSIC RIVER		Surv. Sta.	
ABUTMENT I REINFORCING DETAILS			
Designed By	M. SMULLEN	Drawn by	Wm WEATHERBY
Checked By	M. OLSTAD	Date	7/2003
		Bridge Design Supervisor	P. HALSTEAD
		Date	9/2006
PROJECT	ST. JOHNSBURY	PROJECT NO.	BRO 144709
I.C.C. Info.			
Bridge Sheet No.	BR114	Sheet	47 OF 72



CASE: (LINE = 12/22/2008)
 USER: 2467