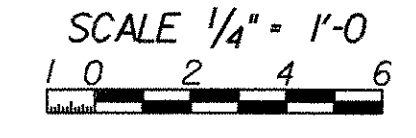


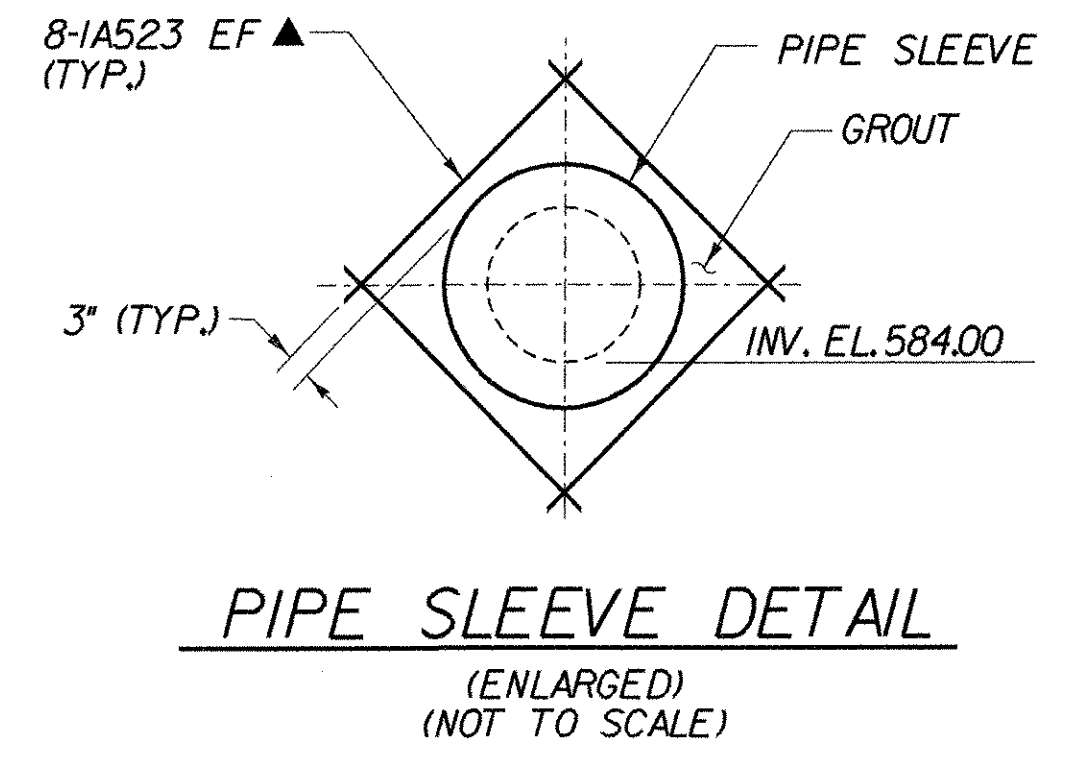
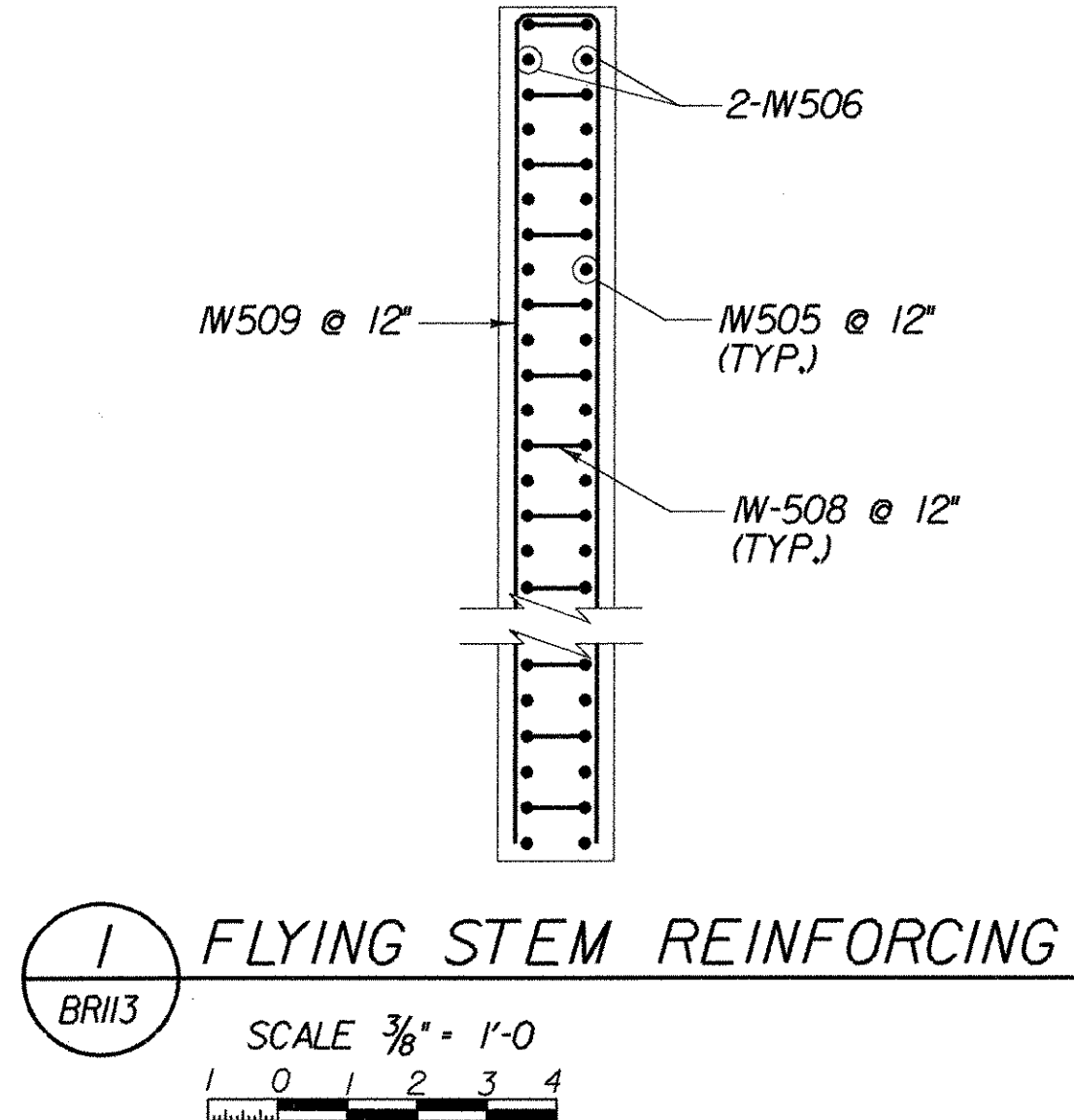
WINGWALL 2
(SPRAYED VIEW)

WINGWALL 1

ABUTMENT I REINFORCING ELEVATION



NOTES:
1. 3" CLR. UNLESS OTHERWISE SPECIFIED ON THE PLANS.



NOTE: CUT HORIZONTAL AND VERTICAL REINFORCING BARS TO FIT

LEGEND:
NF = NEAR FACE
FF = FAR FACE
EF = EACH FACE
▲ = CUT TO FIT IN FIELD

STATE OF VERMONT
AGENCY OF TRANSPORTATION

Town Of	ST. JOHNSBURY	Bridge No.	29
Highway No.	T.H. 85	Log Sta.	
		Surv. Sta.	
DEPOT HILL ROAD OVER THE PASSUMPSIC RIVER			
ABUTMENT I REINFORCING ELEVATION			
Designed By	M. SMULLEN	Drawn by	Wm WEATHERBY
Checked By	M. OLSTAD	Bridge Design Supervisor	P. HALSTEAD
Date	7/2003	Date	9/2006
PROJECT	ST. JOHNSBURY	PROJECT NO.	BRO 1447(19)
I.G.C. Info.			
Bridge Sheet No.	BRII3	Sheet	46 OF 72



FILE NAME: s:\3797\mstr\15\br-29\1447\abl-rf2.dgn
DATE/TIME: 12/20/2006
USER: z467