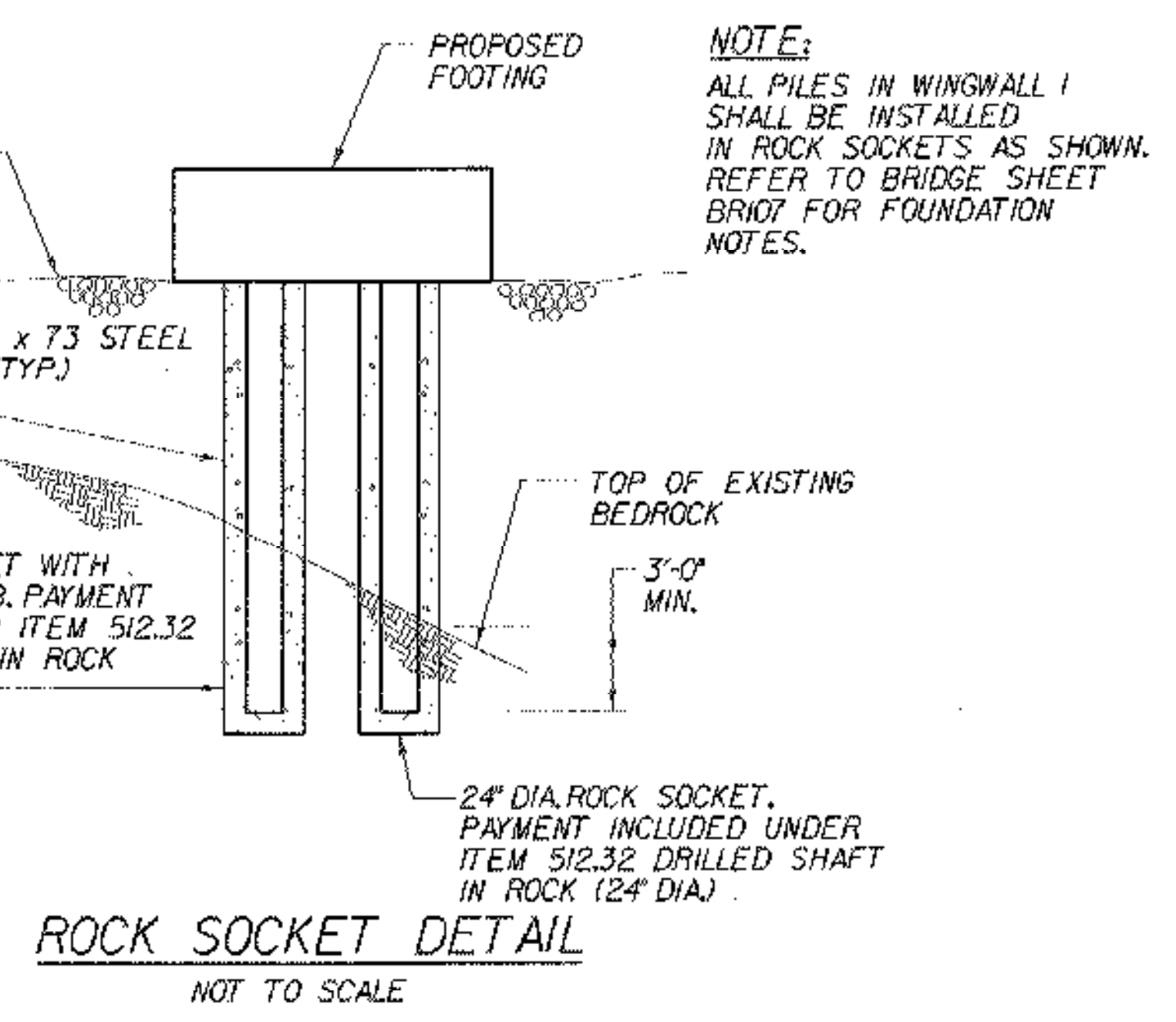
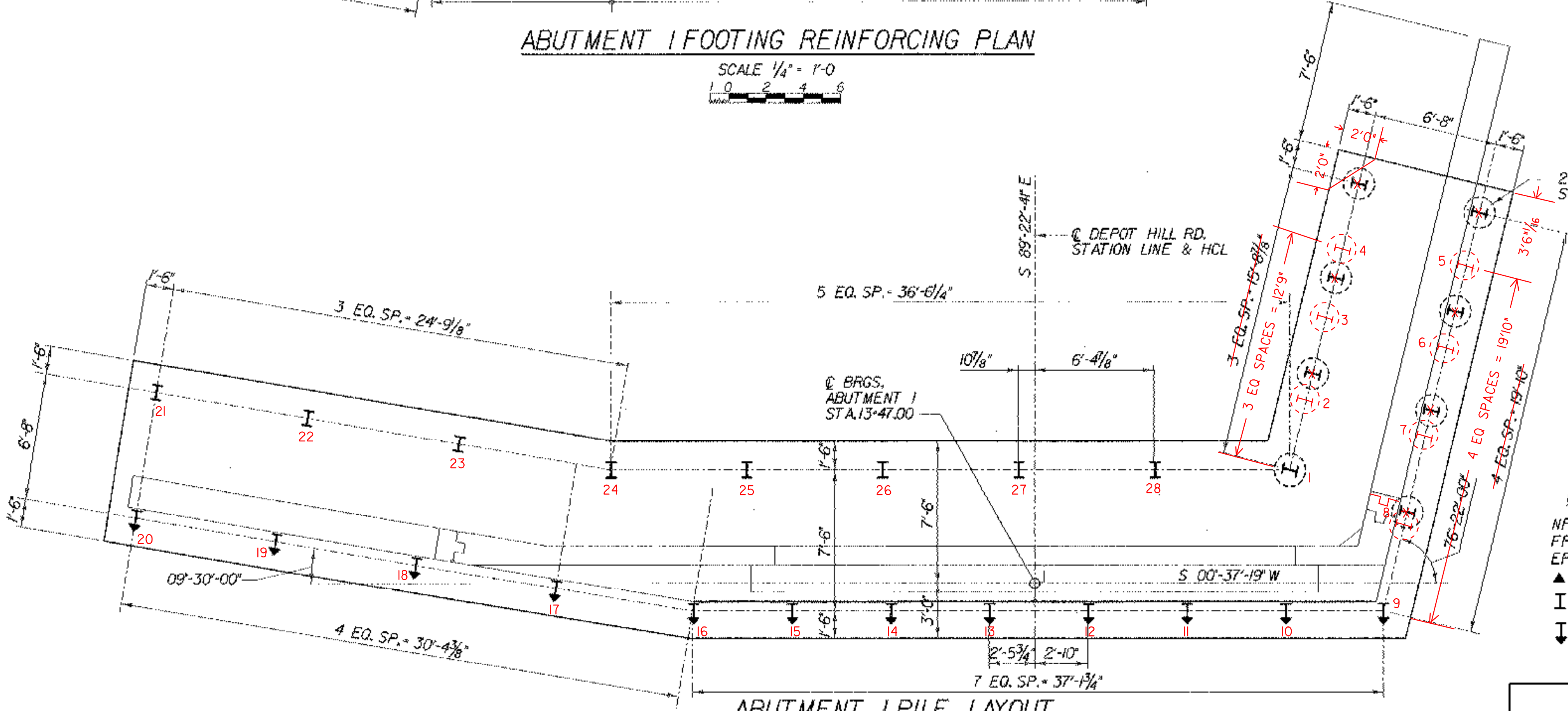


**ABUTMENT 1 FOOTING REINFORCING PLAN**

SCALE 1/4" = 1'-0"  
 1 0 2 4 6



**ROCK SOCKET DETAIL**  
 NOT TO SCALE



**ABUTMENT 1 PILE LAYOUT**

SCALE 1/4" = 1'-0"  
 1 0 2 4 6

W.P. 3  
 FILL ANNULAR SPACE BETWEEN PILE AND TEMPORARY CASING WITH CONCRETE HPC-B BEFORE THE CASING IS PULLED. PAYMENT INCLUDED UNDER ITEM 512.31 DRILLED SHAFT IN EARTH (24\"/>

FILL ROCK SOCKET WITH CONCRETE HPC-B. PAYMENT INCLUDED UNDER ITEM 512.32 DRILLED SHAFT IN ROCK (24\"/>

**NOTE:**  
 ALL PILES IN WINGWALL 1 SHALL BE INSTALLED IN ROCK SOCKETS AS SHOWN. REFER TO BRIDGE SHEET BRO107 FOR FOUNDATION NOTES.

- NOTES:**
- SEE SHT. BRO109 FOR PILE DETAILS
  - THE EIGHT PILES UNDER WINGWALL 1 SHALL BE INSTALLED IN ROCK SOCKETS. IF BEDROCK IS FOUND TO BE LESS THAN 10 FT. BELOW THE BOTTOM OF FOOTING ELEVATION DURING THE INSTALLATION OF THE REMAINING PILES IN ABUTMENT 1 AND WINGWALL 2, THE CONTRACTOR SHALL CONTACT THE ENGINEER FOR INSTRUCTIONS ON HOW TO PROCEED.

- LEGEND:**
- NF - NEAR FACE
  - FF - FAR FACE
  - EF - EACH FACE
  - ▲ - CUT TO FIT IN FIELD
  - I - HP 14 x 73 PILE
  - ⌋ - HP 14 x 73 PILE (BATTERED 1/6)

STATE OF VERMONT AGENCY OF TRANSPORTATION		
Town Of	ST. JOHNSBURY	Bridge No. 29
Highway No.	T.H. 85	Log Sta.
DEPOT HILL ROAD OVER THE PASSUMPSIC RIVER		Surv. Sta.
ABUTMENT 1 FOOTING REINFORCEMENT & PILE LAYOUT		
Designed By	M. SMULLEN	Drawn by
Checked By	M. OLSTAD	Bridge Design Supervisor
Date	7/2003	Date
PROJECT	ST. JOHNSBURY	PROJECT NO.
I.G.C. Info.		BRO 1447(9)
Bridge Sheet No.	BRI2	Sheet 45 OF 72



DATE: 7/2003  
 TIME: 10:25:14  
 USER: 22467