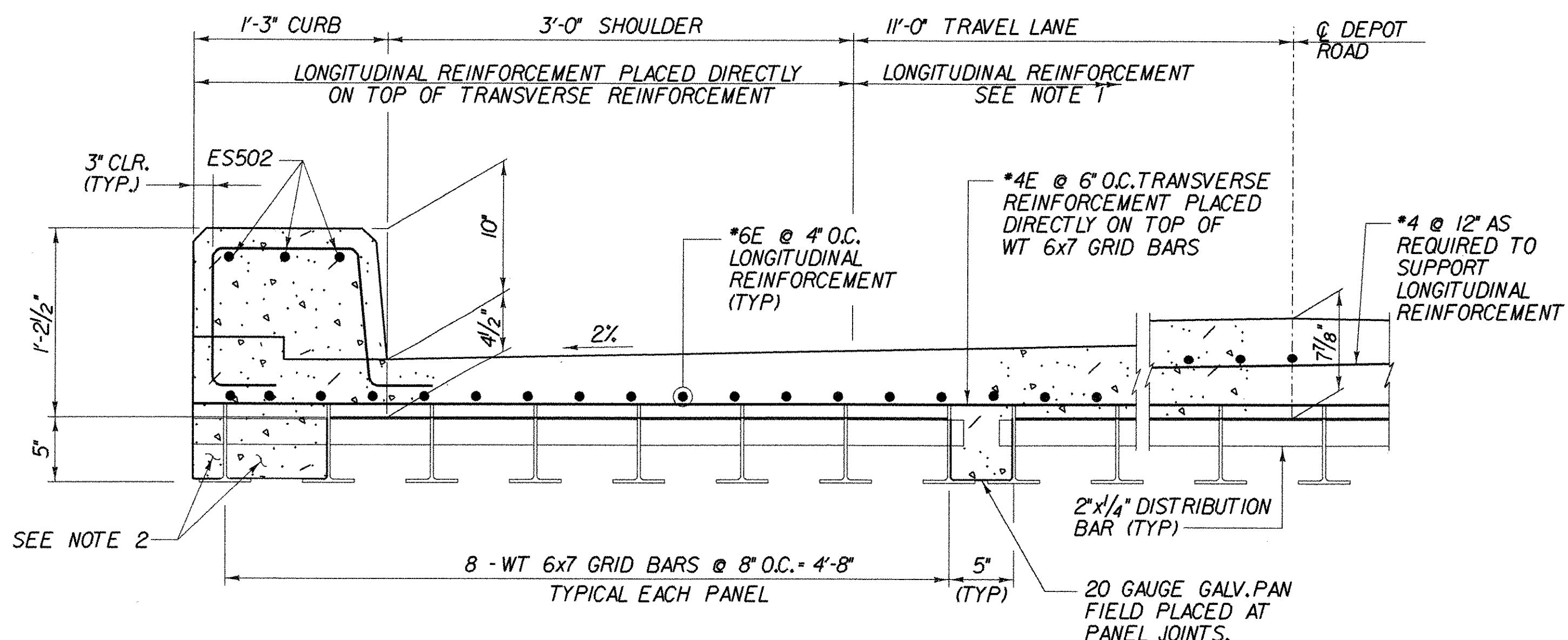


DECK PANEL LAYOUT PLAN

SCALE 1/8" = 1'-0"
1 0 2 4 6 8

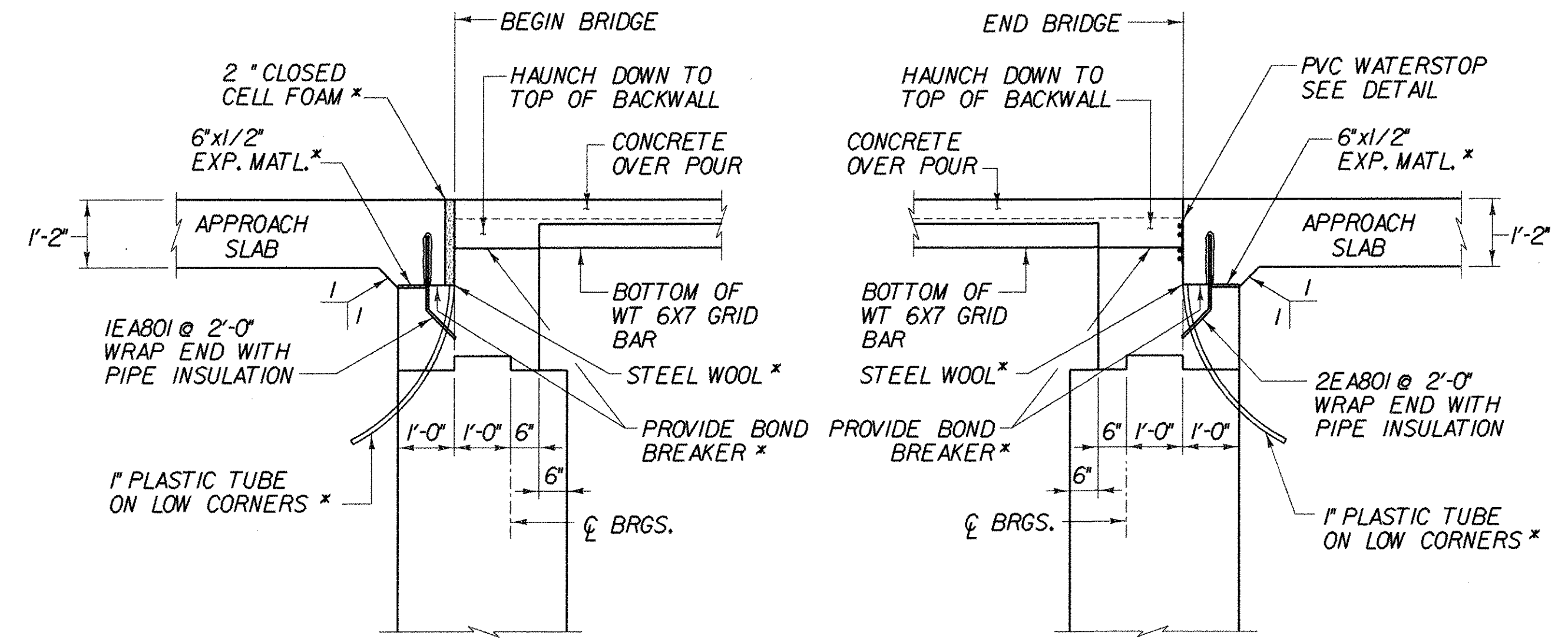


EXODERMIC DECK REINFORCEMENT SECTION

SCALE 1 1/2" = 1'-0"
1 9 6 3 0 1

NOTES:

1. PLACEMENT HEIGHT OF LONGITUDINAL REINFORCEMENT VARIES TO PROVIDE CONSTANT 3" TOP COVER WITH AN ALLOWABLE TOLERANCE OF 1/2" TOWARDS THE BOTTOM OF THE SLAB.
2. FASCIA AND FIRST INTERIOR BAY SHALL BE CONCRETE-FILLED, FULL DEPTH, TO PROVIDE FOR RAILING ANCHORAGE. FIELD PLUG OR TAPE FABRICATION HOLES ON FASCIA SIDE OF MAIN GRID BARS PRIOR TO PLACING CONCRETE. HOLES FOR ANCHOR "U" BOLTS SHALL BE FIELD-DRILLED INTO FASCIA WT GRID BARS. COST TO BE INCLUDED UNDER BRIDGE RAILING ITEM.
3. SEE STANDARD DRAWING SB-R6-82 FOR RAILING ANCHORAGE DETAILS.

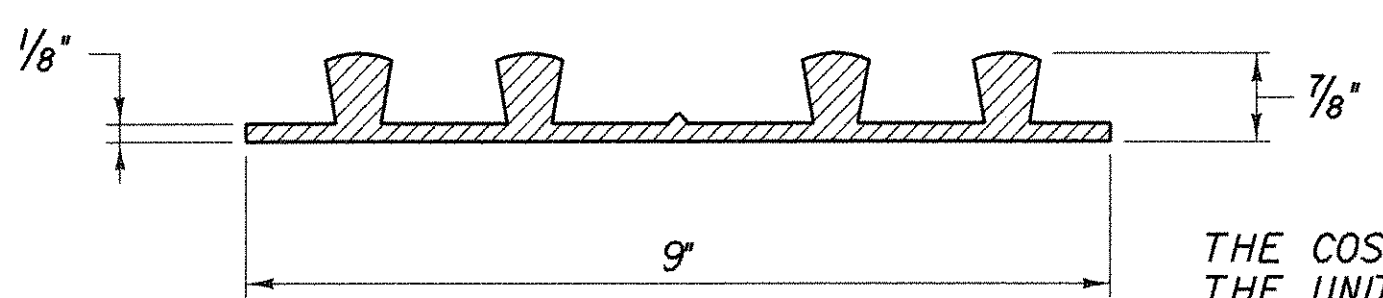


BRIDGE END DETAIL-ABUTMENT 1

BRIDGE END DETAIL-ABUTMENT 2

SCALE 1/2" = 1'-0" * COST TO BE INCLUDED UNDER ITEM 501.34
1 0 1 2

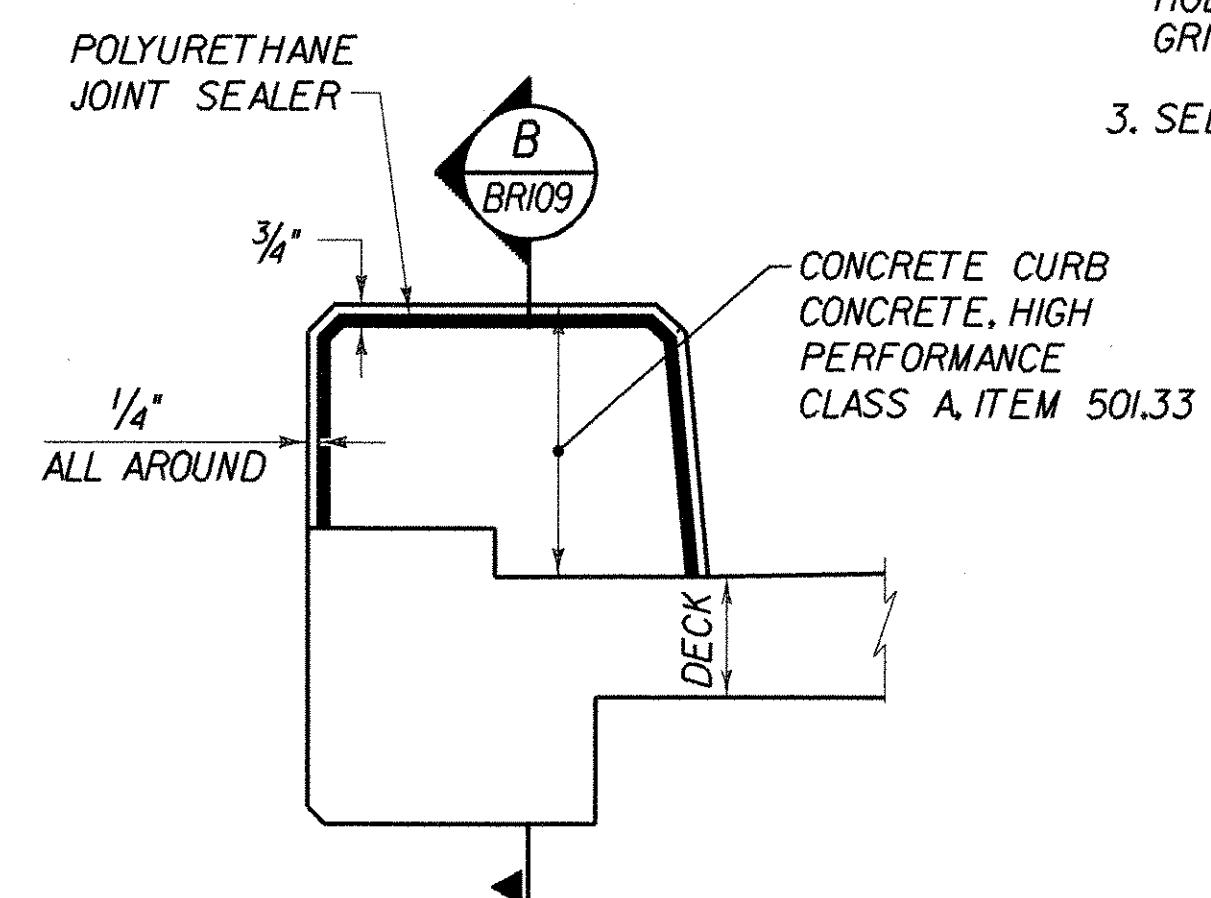
SCALE 1/2" = 1'-0"
1 0 1 2



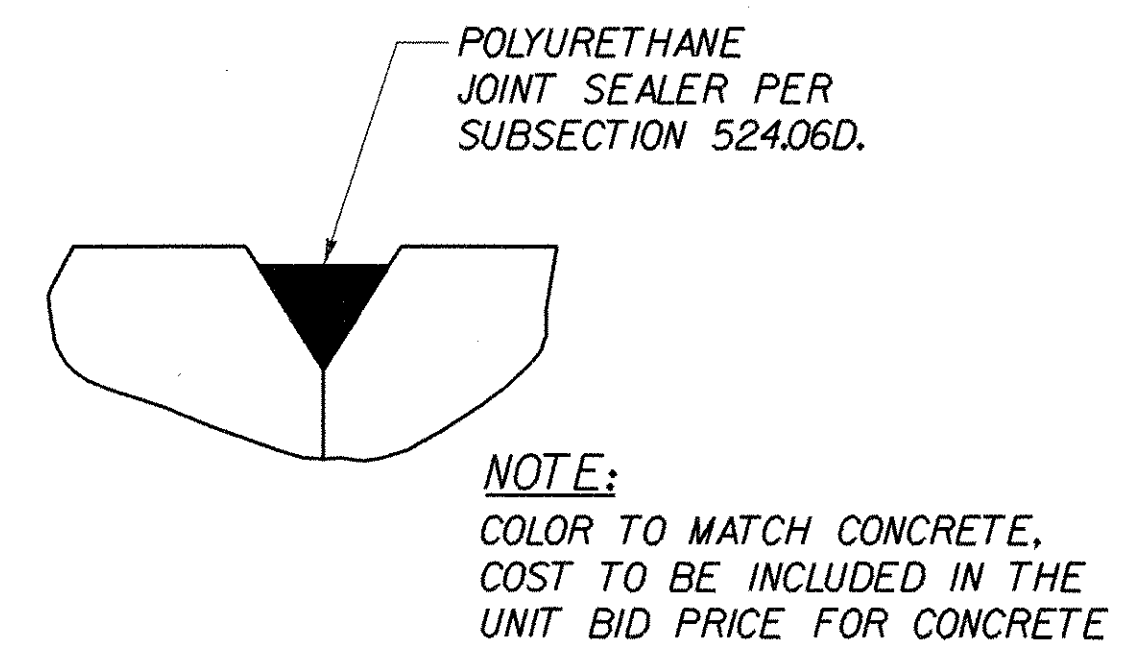
P.V.C. WATERSTOP FOR CONSTRUCTION JOINTS

N.T.S.

THE COST FOR P.V.C. WATERSTOP SHALL BE INCLUDED IN THE UNIT PRICE BID FOR THE APPROPRIATE CONCRETE ITEMS. OTHER CONFIGURATIONS MAY BE USED UPON APPROVAL OF THE STRUCTURES ENGINEER.



CONC. CURB SECTION
BRI09 (NOT TO SCALE)



ENLARGED JOINT DETAIL
BRI09 (NOT TO SCALE)

CURB NOTES:

1. CONSTRUCTION JOINTS THROUGH CONCRETE CURBS SHALL BE SPACED MAXIMUM 15'-0" CENTER TO CENTER AND SHALL BE 1'-6" MINIMUM FROM THE CENTER OF THE NEAREST BRIDGE RAIL POST. CONCRETE SHALL BE PLACED IN ALTERNATING SECTIONS WITH A MINIMUM OF 48 HOURS DELAY BETWEEN ADJACENT POURS.
2. LONGITUDINAL REINFORCING SHALL PASS THROUGH CONCRETE CURB CONSTRUCTION JOINTS.

STATE OF VERMONT AGENCY OF TRANSPORTATION

Town Of	ST. JOHNSBURY	Bridge No. 29
Highway No.	T.H. 85	Log Sta.
		Surv. Sta.
DEPOT HILL ROAD OVER THE PASSUMPSIC RIVER		
BRIDGE DECK PLAN AND DETAILS		
Designed By	M. SMULLEN	Drawn by Wm WEATHERBY
Checked By	M. OLSTAD	Bridge Design Supervisor P. HALSTEAD
	Date 7/2003	Date 9/2006
PROJECT	ST. JOHNSBURY	PROJECT NO. BRO 1447(19)
I.G.C. Info.		
Bridge Sheet No. BRI09		Sheet 42 OF 72



FILE NAME = s:\3797\mstn\15\br\29\1447.dpl.dgn DATE/TIME = 12/20/2006 USER = 2467