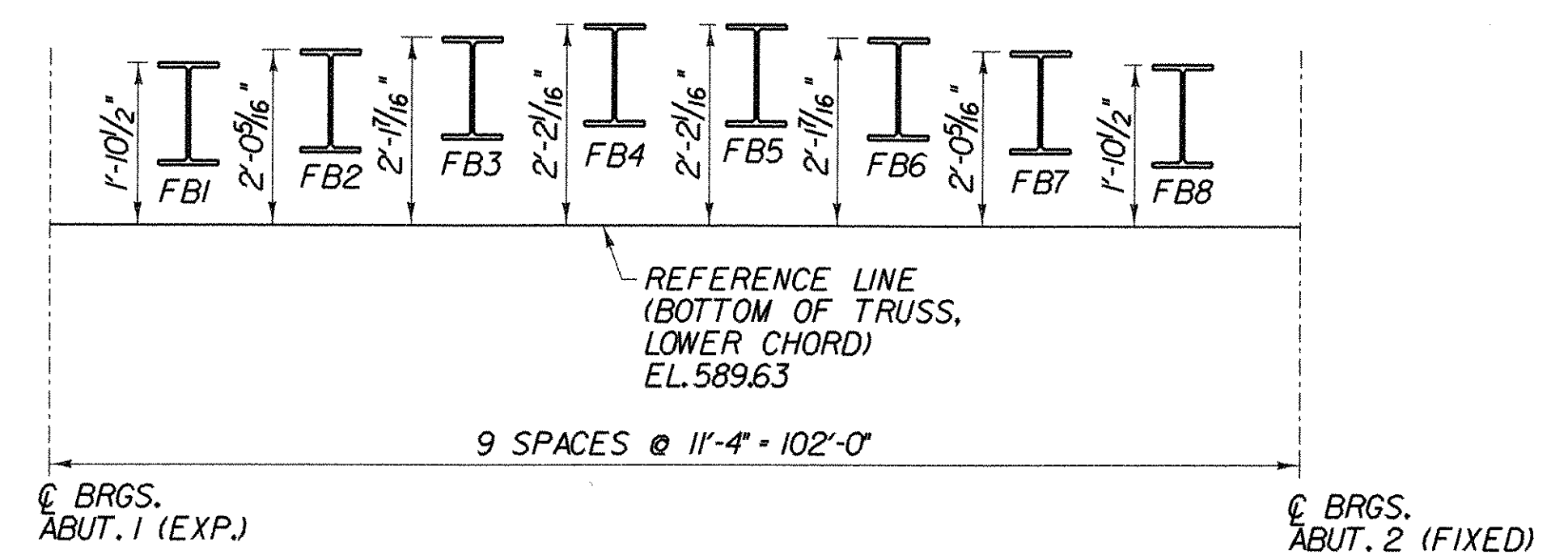
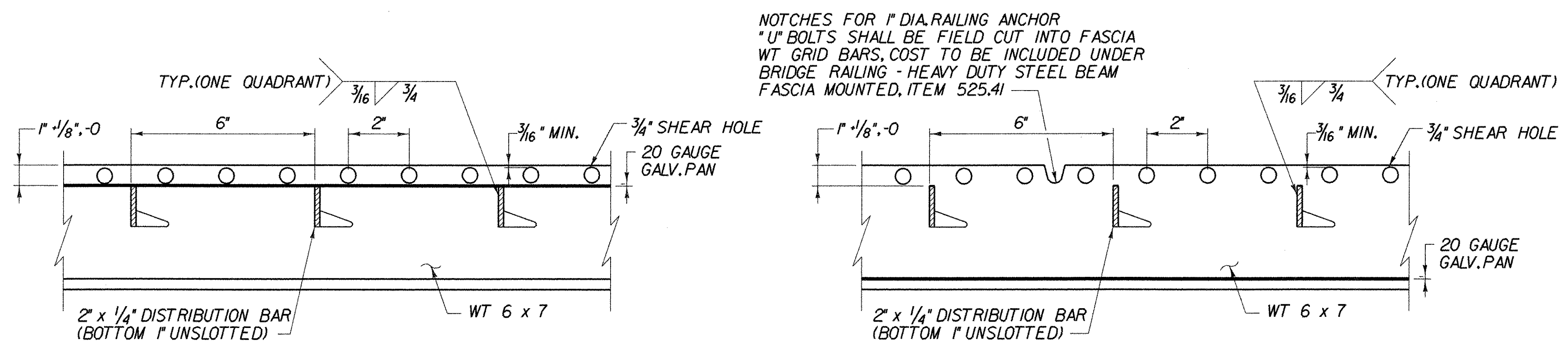


FRAMING PLAN
SCALE 1/8" = 1'-0"
10 2 4 6 8

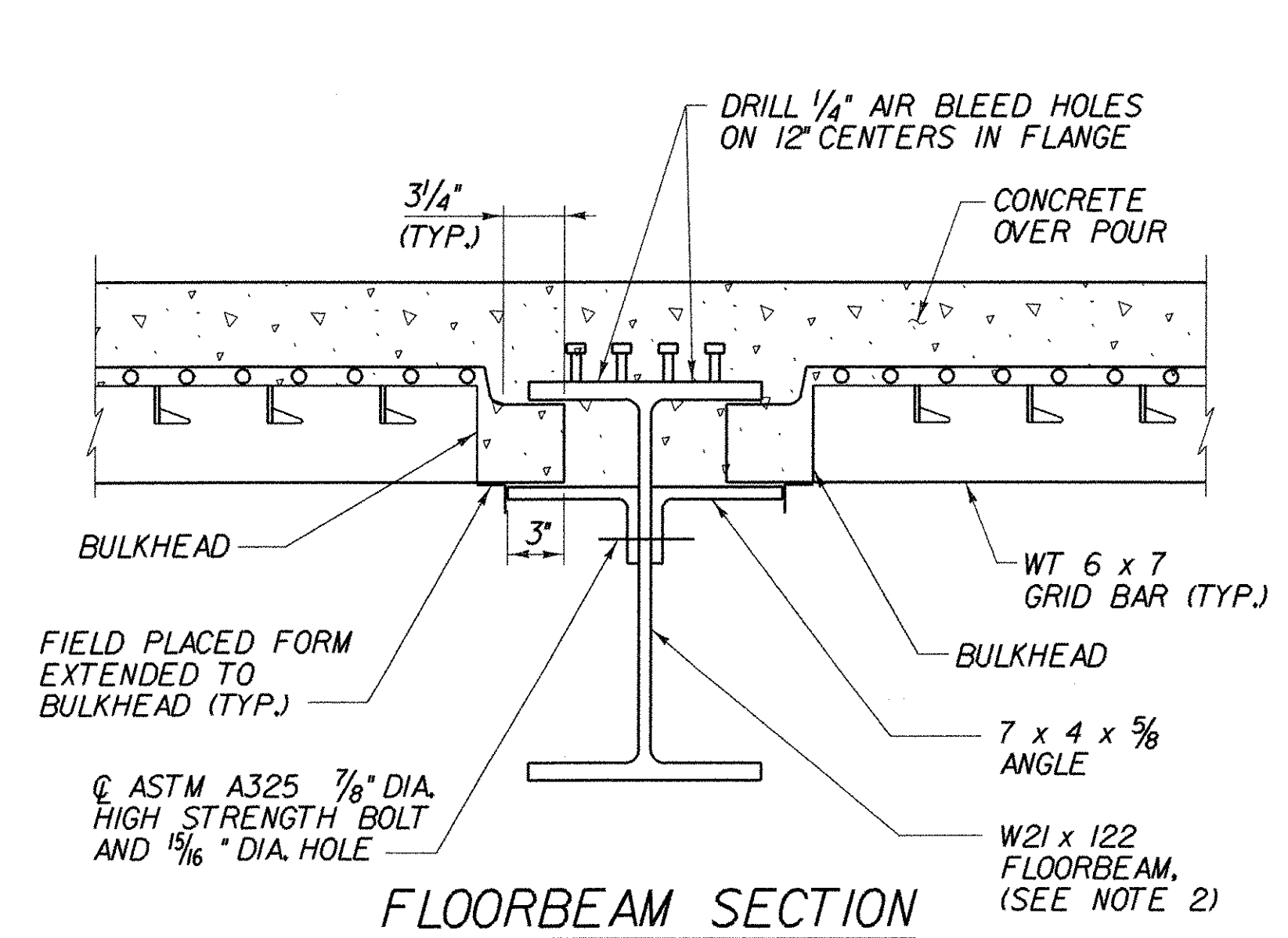


FLOORBEAM PROFILE DIAGRAM
(NOT TO SCALE)

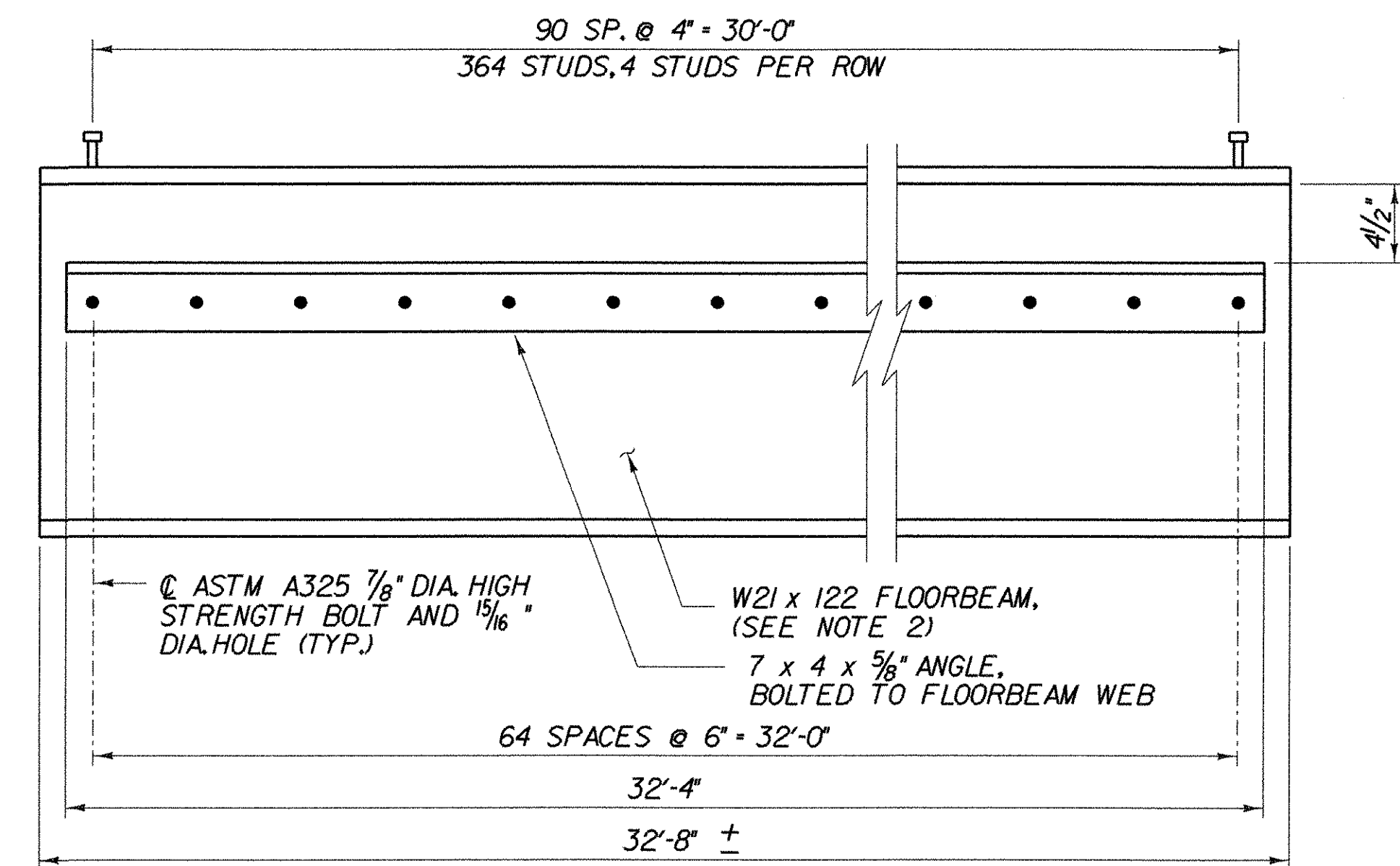


TYPICAL EXODERMIC BRIDGE DECK FABRICATION DETAILS
(NOT TO SCALE)

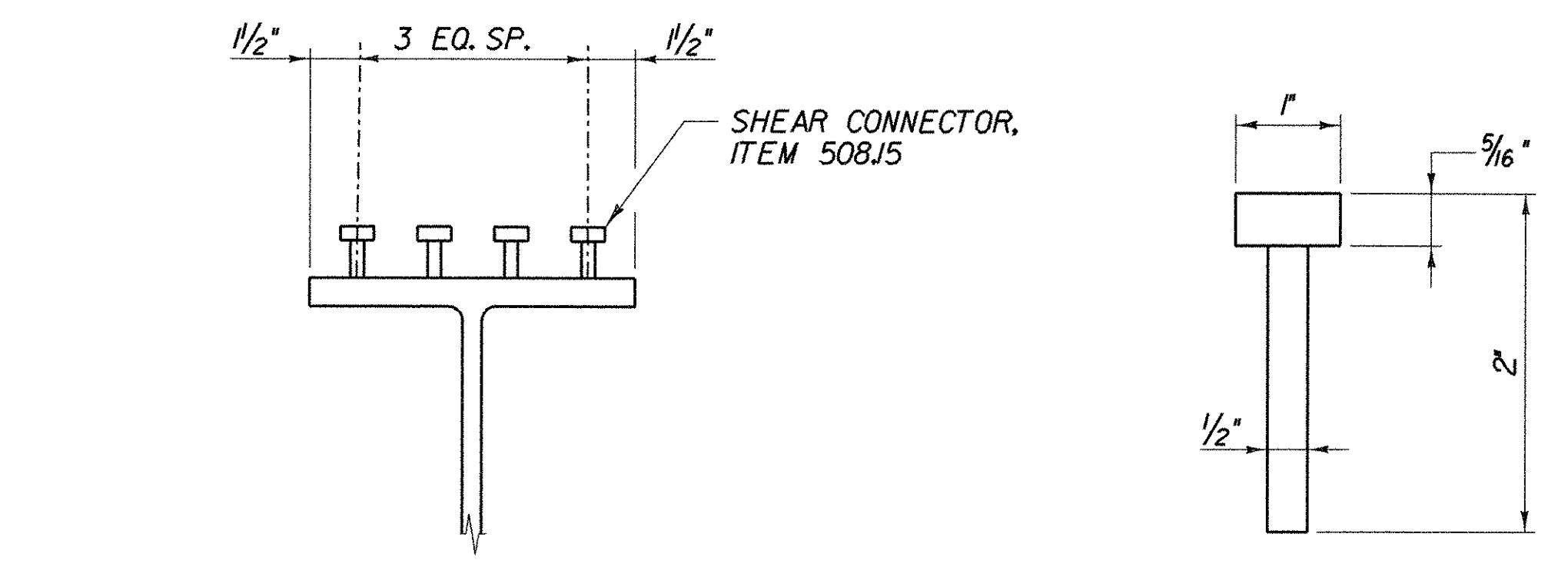
EXODERMIC BRIDGE DECK DETAIL AT FASCIA / FIRST INTERIOR BAY
(NOT TO SCALE)



FLOORBEAM SECTION
SCALE 1/2" = 1'-0"
1 9 6 3 0



FLOORBEAM ELEVATION
(NOT TO SCALE)



STUD SHEAR CONNECTOR DETAIL
(NOT TO SCALE)

STUD DETAIL
(NOT TO SCALE)

- NOTES:**
1. ALL STRUCTURAL STEEL SHALL BE AASHTO M270, GRADE 50, UNLESS OTHERWISE NOTED
 2. MEMBERS INDICATED SHALL BE CHARPY V-NOTCH (CVN) TESTED IN ACCORDANCE WITH SECTION 714.01 OF THE SPECIFICATION.

STATE OF VERMONT AGENCY OF TRANSPORTATION		
Town Of	ST. JOHNSBURY	Bridge No. 29
Highway No.	T.H. 85	Log Sta.
DEPOT HILL ROAD OVER THE PASSUMPSIC RIVER		
SUPERSTRUCTURE DETAILS		
Designed By	M. SMULLEN	Drawn by B.D./WM.W.
Checked By	M. OLSTAD	Bridge Design Supervisor P. HALSTEAD Date 9/2006
PROJECT	ST. JOHNSBURY	PROJECT NO. BRO 1447(19)
I.G.C. Info.	Bridge Sheet No. BR108	



FILE NAME = u:\3797\mstn\15\br29\1447r.m.dgn
 DATE/TIME = 12/20/2006 12:46:47
 USER = 2467