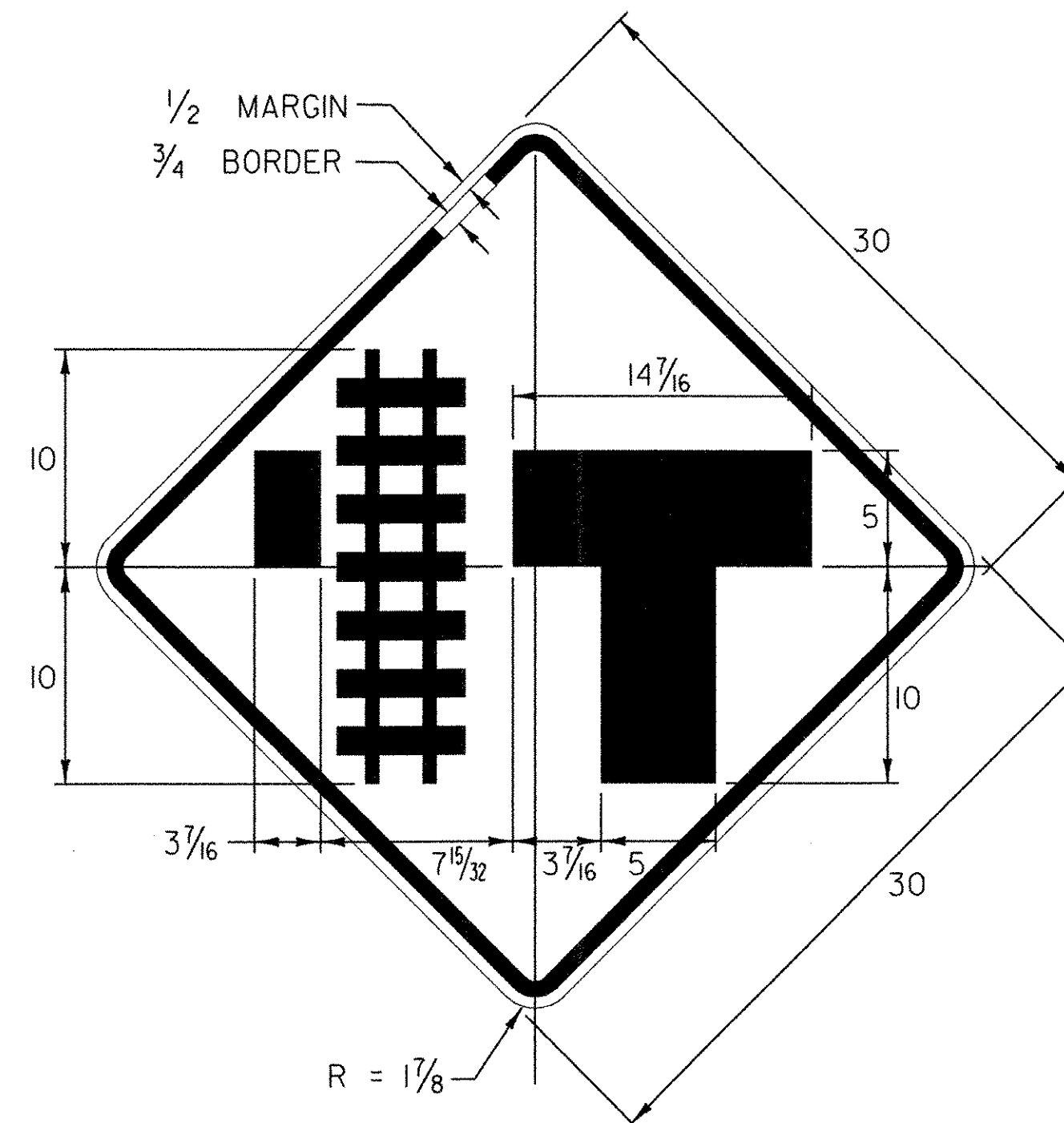


FILE NAME = ut\3797\mstn\03\final\tdt.dgn
 USER = 2467

DATUM	
VERTICAL	NAVD 88
HORIZONTAL	N/A



COLORS: BLACK BORDER & TEXT (REFLECTORIZED)
 YELLOW BACKGROUND (REFLECTORIZED)

MATERIALS: PER VAOT STANDARD E-151
 SIGN T.H. 85
 STA. 12+70.0, LT
 STA. 13+25.0, RT

NOTE:

TEXT LAYOUT DIMENSIONS ARE BASED ON THE "LETTER & NUMERAL WIDTHS & SPACES" TABLES FOUND IN THE "STANDARD HIGHWAY SIGNS" BOOKLET. MINOR VARIATIONS IN TEXT DIMENSIONS ARE ACCEPTABLE BASED ON INDIVIDUAL MANUFACTURER'S LETTER FABRICATION. SIGNIFICANT CHANGES THAT EFFECT SIGN APPEARANCE SHALL BE BROUGHT TO THE ATTENTION OF THE VAOT'S TRAFFIC OPERATIONS SECTION BEFORE FABRICATION.

ALL DIMENSIONS ARE IN INCHES UNLESS OTHERWISE NOTED.

**TRAFFIC
 SIGN
 DETAIL
 SHEET**

SURVEYED BY	W. DEYETTE	DATE	10/93
DRAWN BY	C. KAHLBAUGH	DATE	7/06
SQUAD LEADER	J. P. HALSTEAD		
DESIGN FILE NO.	/3797/FINAL/TDT.DGN		
IPARM FILE		DATE PLOTTED	12/20/2006
PROJ. NAME	ST. JOHNSBURY, BRIDGE NO. 29		
PROJ. NO.	BRO 1447(19)		
SHEET	20 OF 72 SHEETS		