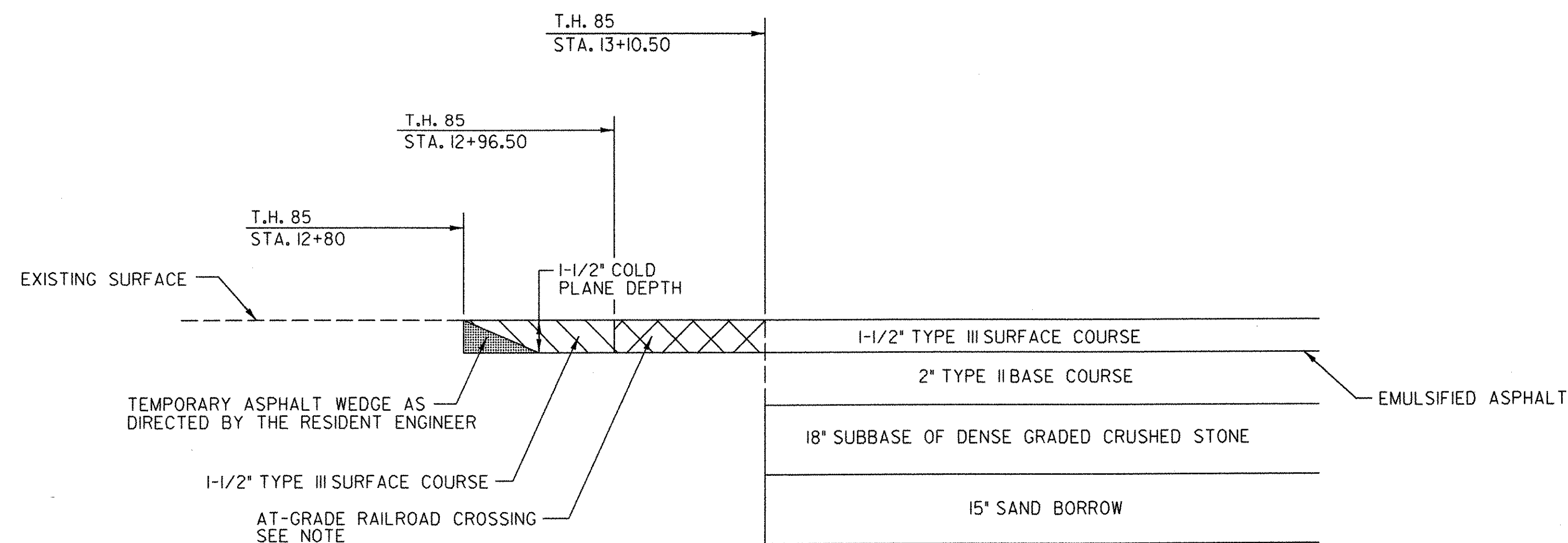


**U.S. ROUTE 5 APPROACH AREA DETAIL**

U.S. ROUTE 5 STA. 100+75  
 U.S. ROUTE 5 STA. 105+00



**T.H. 85 APPROACH AREA DETAIL**

T.H. 85 STA. 12+80 - BEGIN RECONSTRUCTION

**NOTE:**

THE EXISTING AT-GRADE RAILROAD CROSSING IS TO BE PAVED. PAVEMENT PLACED ON AT-GRADE HIGHWAY-RAILROAD CROSSING SHALL BE INSTALLED PER MANUFACTURER'S RECOMMENDATIONS FOR THE TYPE OF CROSSING INSTALLED BY THE RAILROAD OR AS DIRECTED BY THE ENGINEER

FILE NAME = us\3797\mstrn\03\final\pavdet.dgn  
 USER = 2467

DATUM	
VERTICAL	NAVD 88
HORIZONTAL	N/A

**PAVING  
 DETAILS  
 SHEET**

SURVEYED BY	W. DEYETTE	DATE	10/93
DRAWN BY	C. KAHLBAUGH	DATE	7/06
SQUAD LEADER	J. P. HALSTEAD		
DESIGN FILE NO.	/3797/FINAL/PAVDET.DGN		
IPARM FILE		DATE PLOTTED	12/20/2006
PROJ. NAME	ST. JOHNSBURY, BRIDGE NO. 29		
PROJ. NO.	BRO 1447(19)		
SHEET	7 OF 72 SHEETS		