



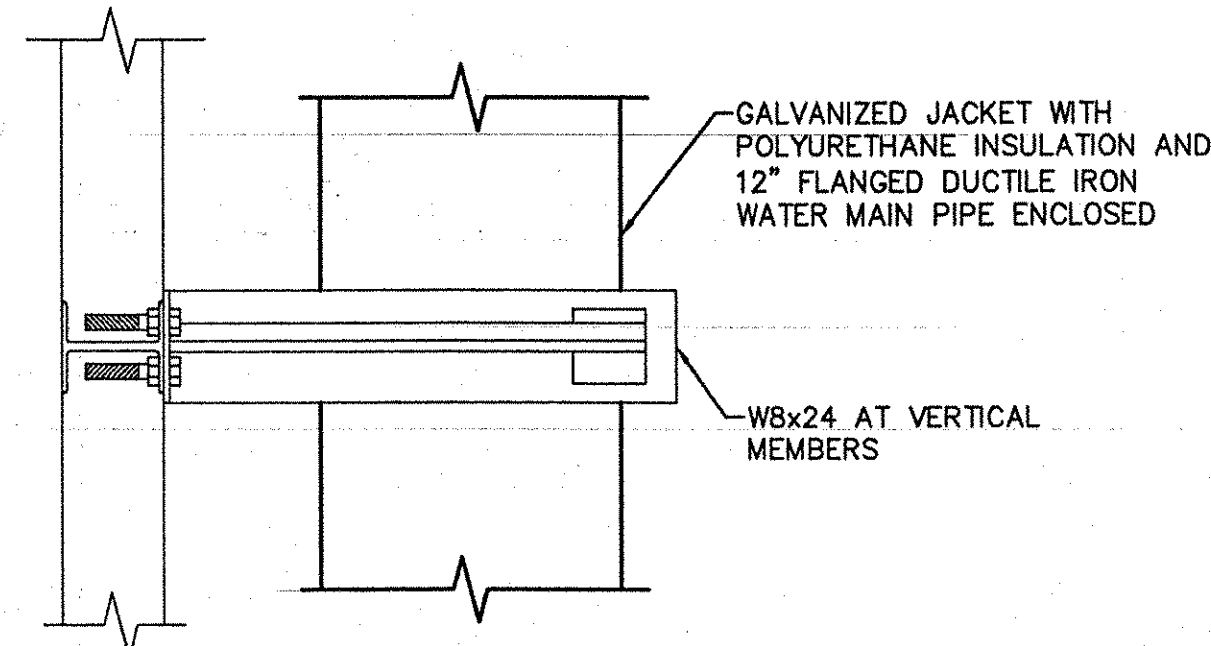
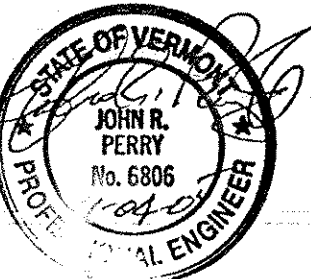
Dufresne & Associates, P.C.
 54 Main Street, P.O. Box B
 Windsor, Vermont 05089
 Tel: (802) 674-2904 Fax: (802) 674-2913
 E-mail: dufresnapc@vermont.net
 Home page: <http://www.dufresneassociates.com>

Project #	413025
Project Mgr.	JRP
Design	JRP
Drawn	GJW
Checked by	RNG
Date	OCTOBER 5, 2004
Scale	AS SHOWN
Approved by	JRP

Revisions:

THE DRAWINGS FOR THIS PROJECT SHALL NOT BE REUSED OR ALTERED IN ANY WAY WITHOUT THE WRITTEN APPROVAL AND AUTHORITY OF DUFRESNE & ASSOCIATES, P.C. ANY REVISIONS SHALL BE MADE BY THE ENGINEER.

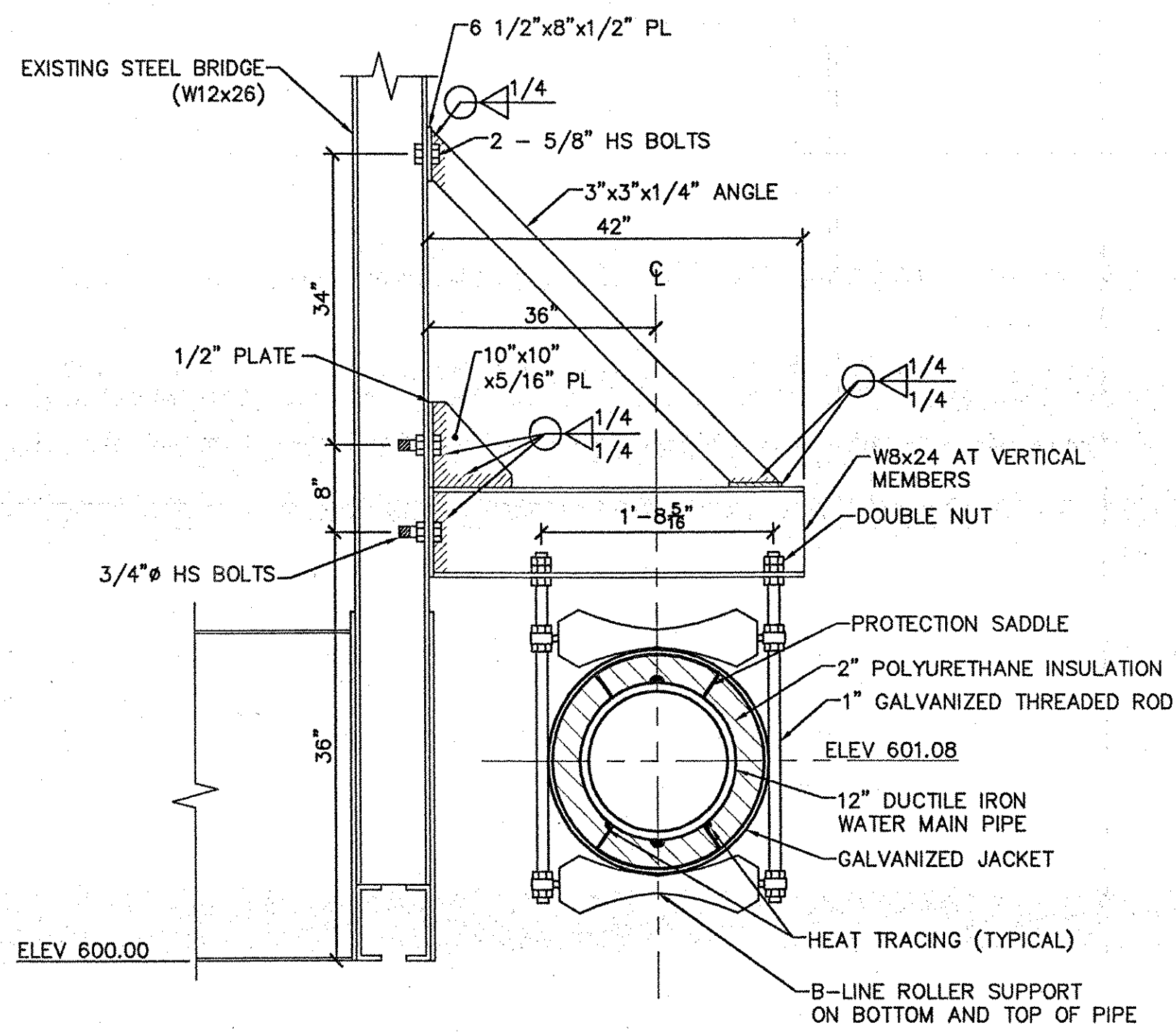
Dufresne & Associates, P.C. ©



PIPE SUPPORT DETAIL - PLAN VIEW

NOT TO SCALE

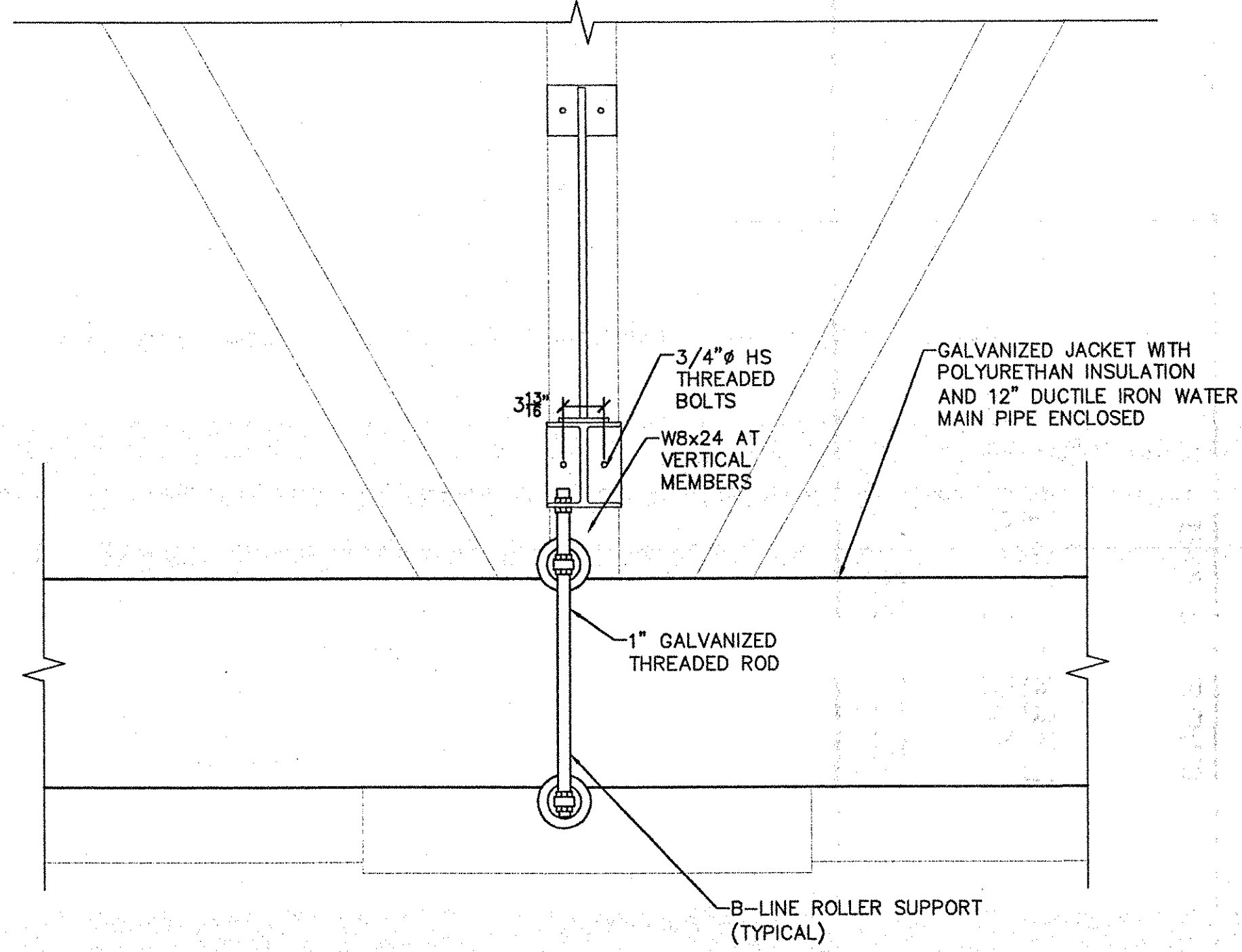
- NOTES:
1. ALL BOLTS, NUTS AND WASHERS ARE GALVANIZED.
 2. ALL STEEL FABRICATIONS AND CASTINGS ARE HOT DIPPED GALVANIZED.



PIPE SUPPORT DETAIL - SECTION VIEW

NOT TO SCALE

- NOTES:
1. ALL BOLTS, NUTS AND WASHERS ARE GALVANIZED.
 2. ALL STEEL FABRICATIONS AND CASTINGS ARE HOT DIPPED GALVANIZED.



PIPE SUPPORT DETAIL - ELEVATION VIEW

NOT TO SCALE

- NOTES:
1. ALL BOLTS, NUTS AND WASHERS ARE GALVANIZED.
 2. ALL STEEL FABRICATIONS AND CASTINGS ARE HOT DIPPED GALVANIZED.

GRANITE STREET BRIDGE
 IMPROVEMENTS
**RECORD DRAWINGS
 GENERAL DETAILS**
 BARRE, VERMONT

RECORD
DRAWINGS

R4