



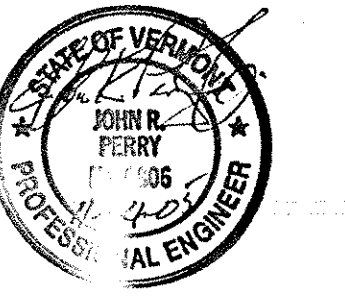
**Dufresne & Associates, P.C.**  
 54 Main Street, P.O. Box B  
 Windsor, Vermont 05089  
 Tel: (802) 674-2904 Fax: (802) 674-2913  
 E-mail: dufresnepc@vermontnet.net  
 Home page: http://www.dufresneassociates.com

Project #	413025
Project Mgr.	JRP
Design	JRP
Drawn	GJW
Checked by	RND
Date	OCTOBER 5, 2004
Scale	AS SHOWN
Approved by	JRP

Revisions:

THE DRAWINGS FOR THIS PROJECT SHALL NOT BE REVISED OR ALTERED IN ANY WAY WITHOUT THE WRITTEN APPROVAL AND AUTHORITY OF DUFRESNE & ASSOCIATES, P.C. ANY REVISIONS SHALL BE MADE BY THE ENGINEER.

**Dufresne & Associates, P.C.**



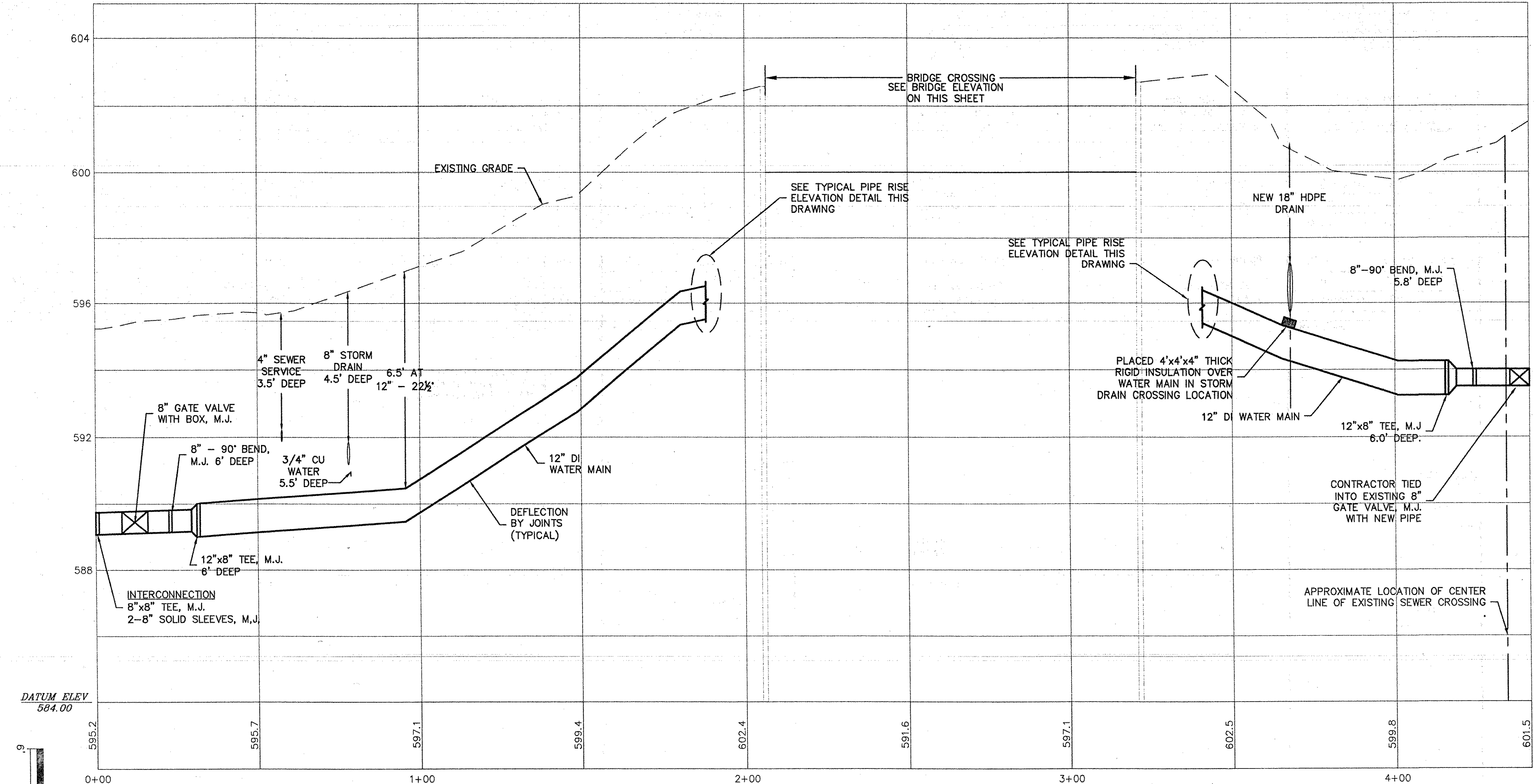
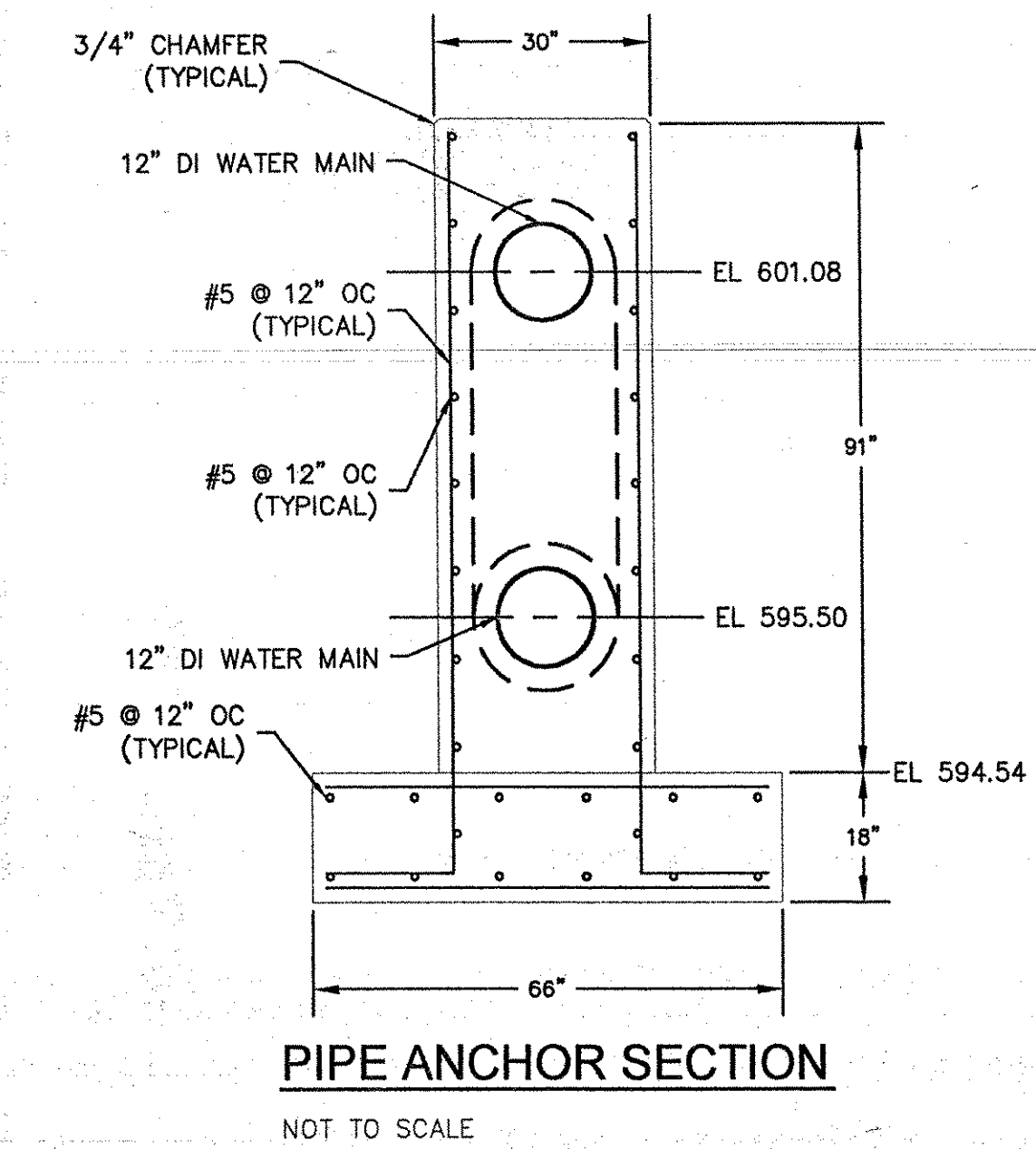
GRANITE STREET BRIDGE IMPROVEMENTS

**RECORD DRAWINGS PROFILE AND ELEVATION**

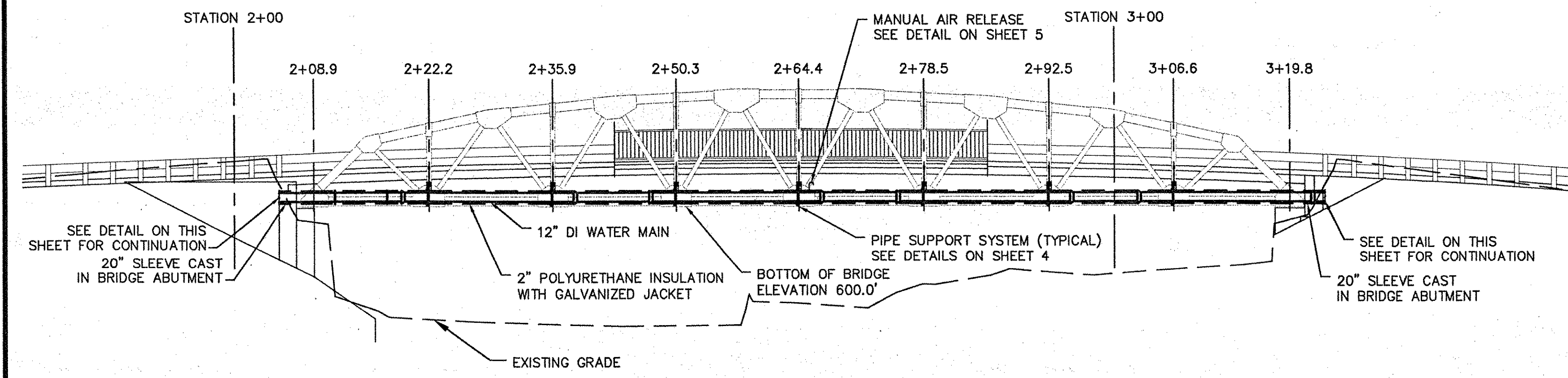
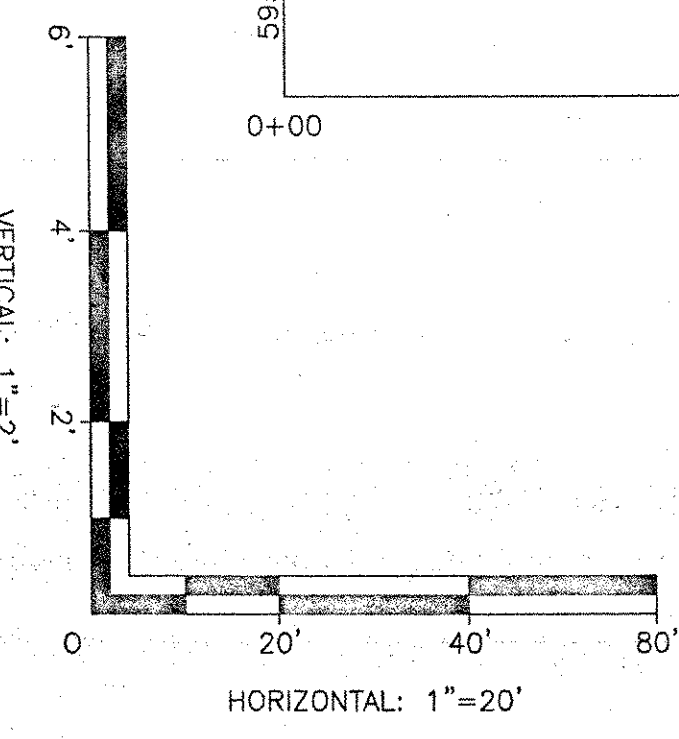
BARE, VERMONT

**NOTES:**

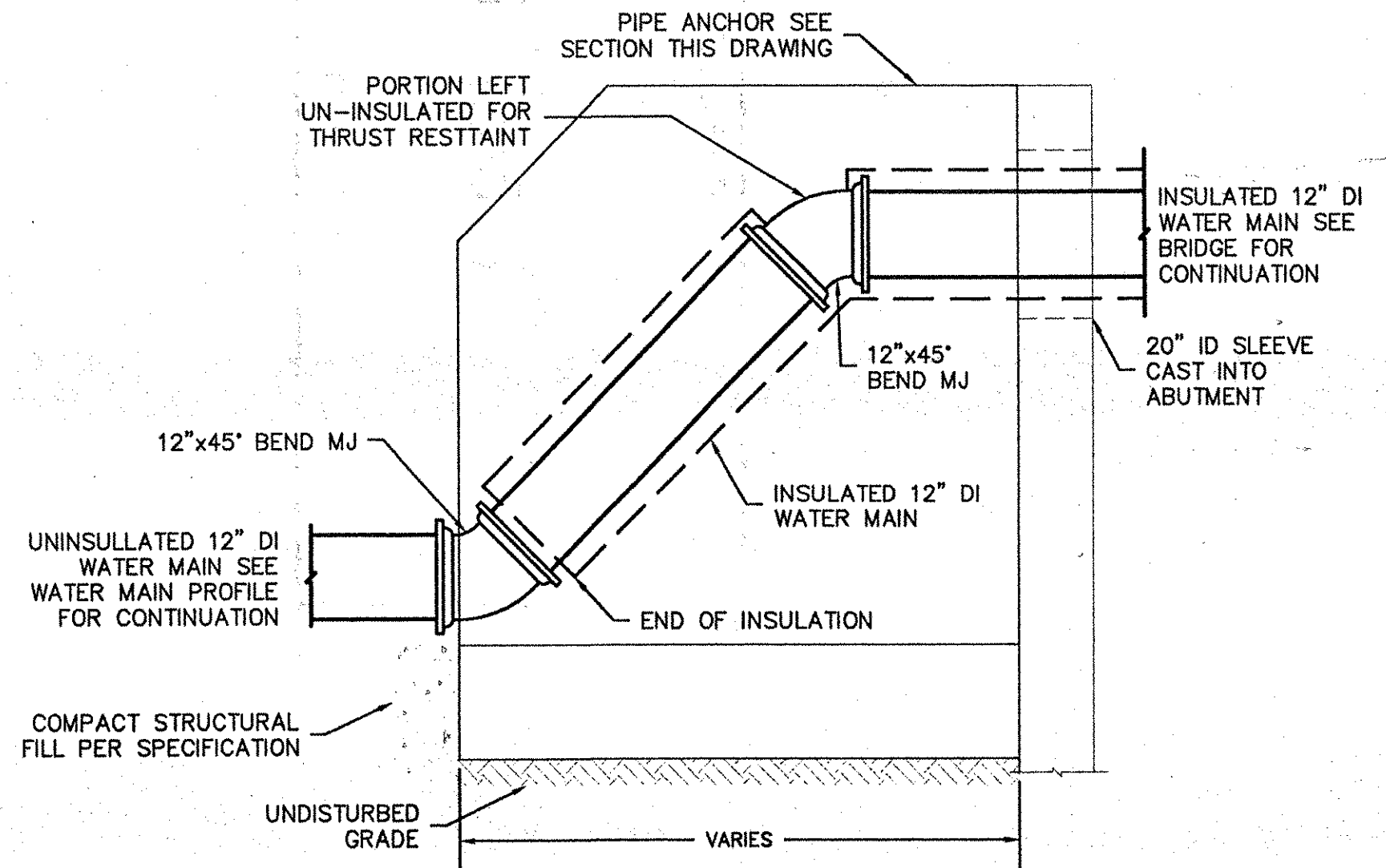
1. THE W8x24 FABRICATED PIPE SUPPORTS ATTACHED TO THE BRIDGE ARE HOT DIPPED GALVANIZED. ALL HIGH STRENGTH BOLTS, NUTS AND WASHERS AS WELL AS THE PIPE SUPPORT ROLLERS AND SUPPORTING ELEMENTS ARE ELECTROGALVANIZED.
2. THE PIPE LOCATED BETWEEN STATION 1+95 AND 3+30 WAS PREINSULATED PRIOR TO PLACEMENT. WHERE INSULATED PIPING WAS PLACED IN THE CONCRETE. THE INSULATION JACKETING WAS SEALED W/ PE JACKET TO PREVENT WICKING BY GROUND WATER INTO THE INSULATION.
3. THE PIPE SYSTEM IS SUPPORTED AND RESTRAINED BY ROLLER PIPE SUPPORTS. THE PIPE SUPPORTS ARE ROLL ROD ROLLERS, SIZED TO PROVIDE FULL SUPPORT FOR THE INSULATED PIPING. THE CONTRACTOR FURNISHED GALVANIZED INSULATION SHIELDS WHERE THE INSULATED PIPE COMES IN CONTACT WITH THE ROLLERS.
4. THE CENTERLINES OF THE 20" ID PIPE SLEEVES WERE CAST INTO EACH SIDE OF THE BRIDGE ABUTMENT AT AN ELEVATION OF 601.08.
5. PIPE FOR BRIDGE CROSSING IS CLASS 52, DUCTILE IRON WITH TR-FLEX JOINTS. EACH SECTION OF PIPE IS SUPPORTED BY AT LEAST ONE PIPE SUPPORT.



**WATER MAIN PROFILE**  
 HORIZONTAL SCALE: 1" = 20'  
 VERTICAL SCALE: 1" = 2'



**BRIDGE ELEVATION**  
 SCALE: 1" = 10'



**TYPICAL PIPE RISE ELEVATION DETAIL**  
 NOT TO SCALE

**RECORD DRAWINGS**

**R3**