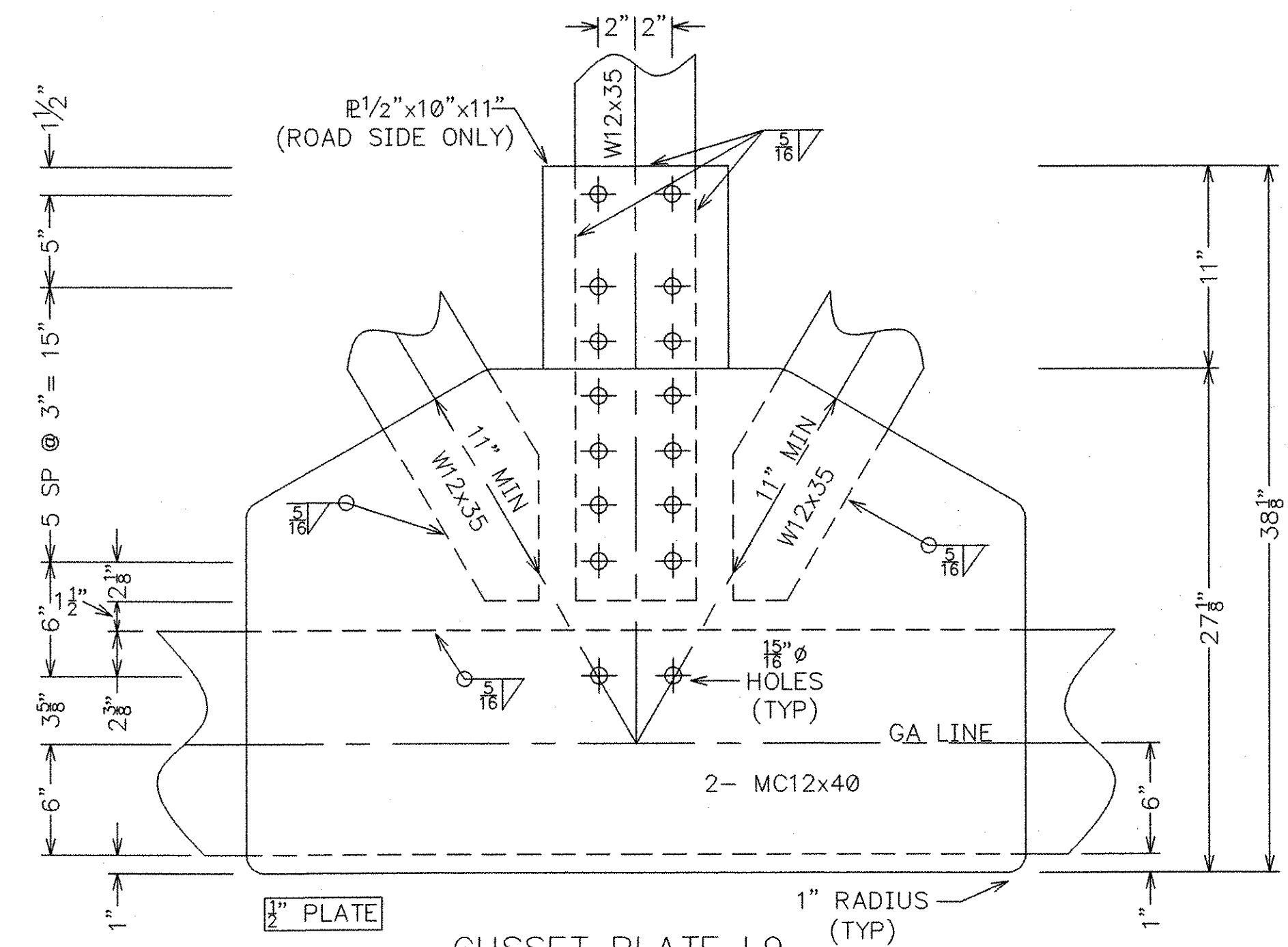


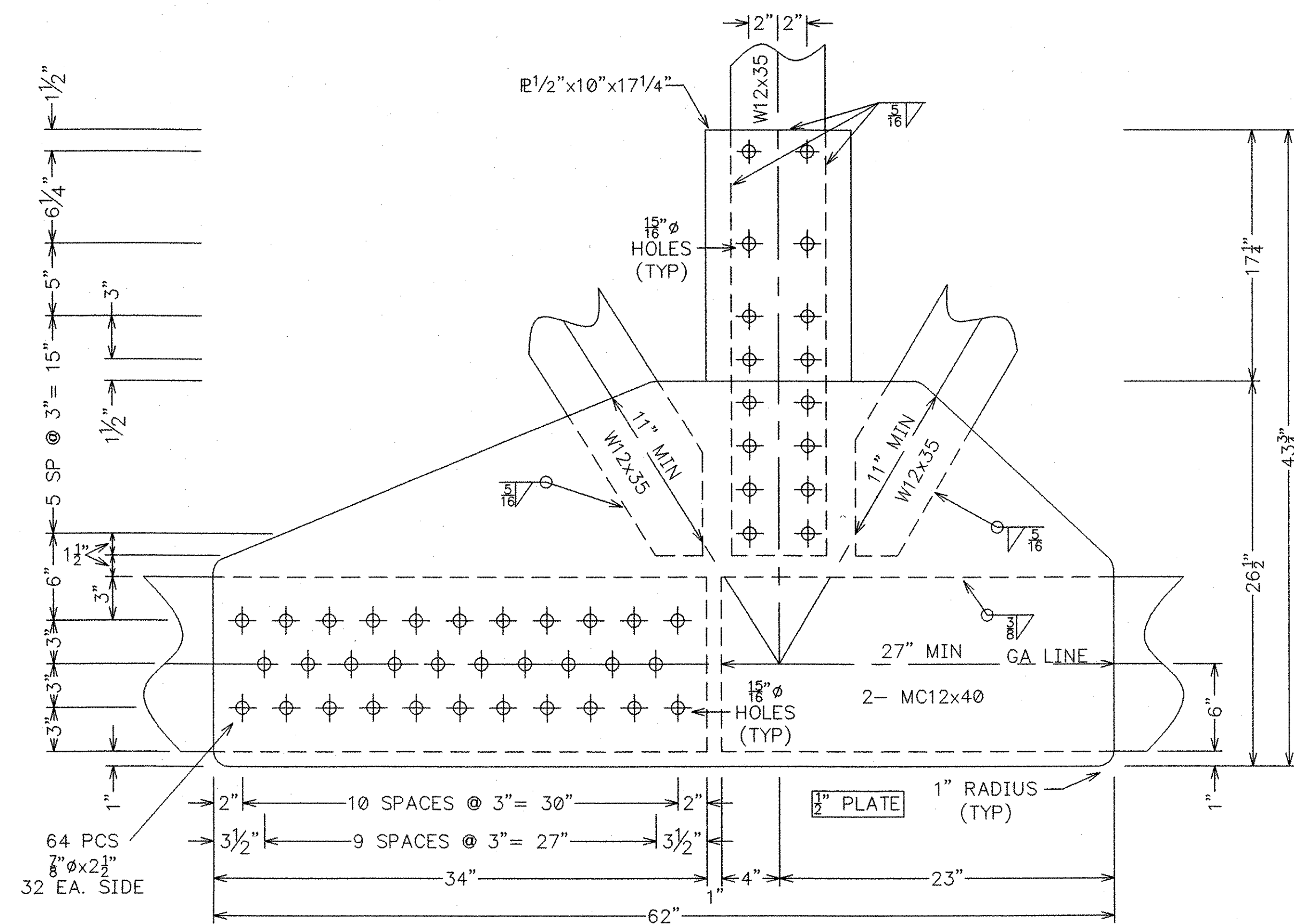
GUSSET PLATES L7 & L11

6 REQ'D
 (ROAD SIDE TRUSS 2)
 (ROAD SIDE TRUSS 1)
 (OUTSIDE TRUSS 1 NO R1/2"x10"x11")



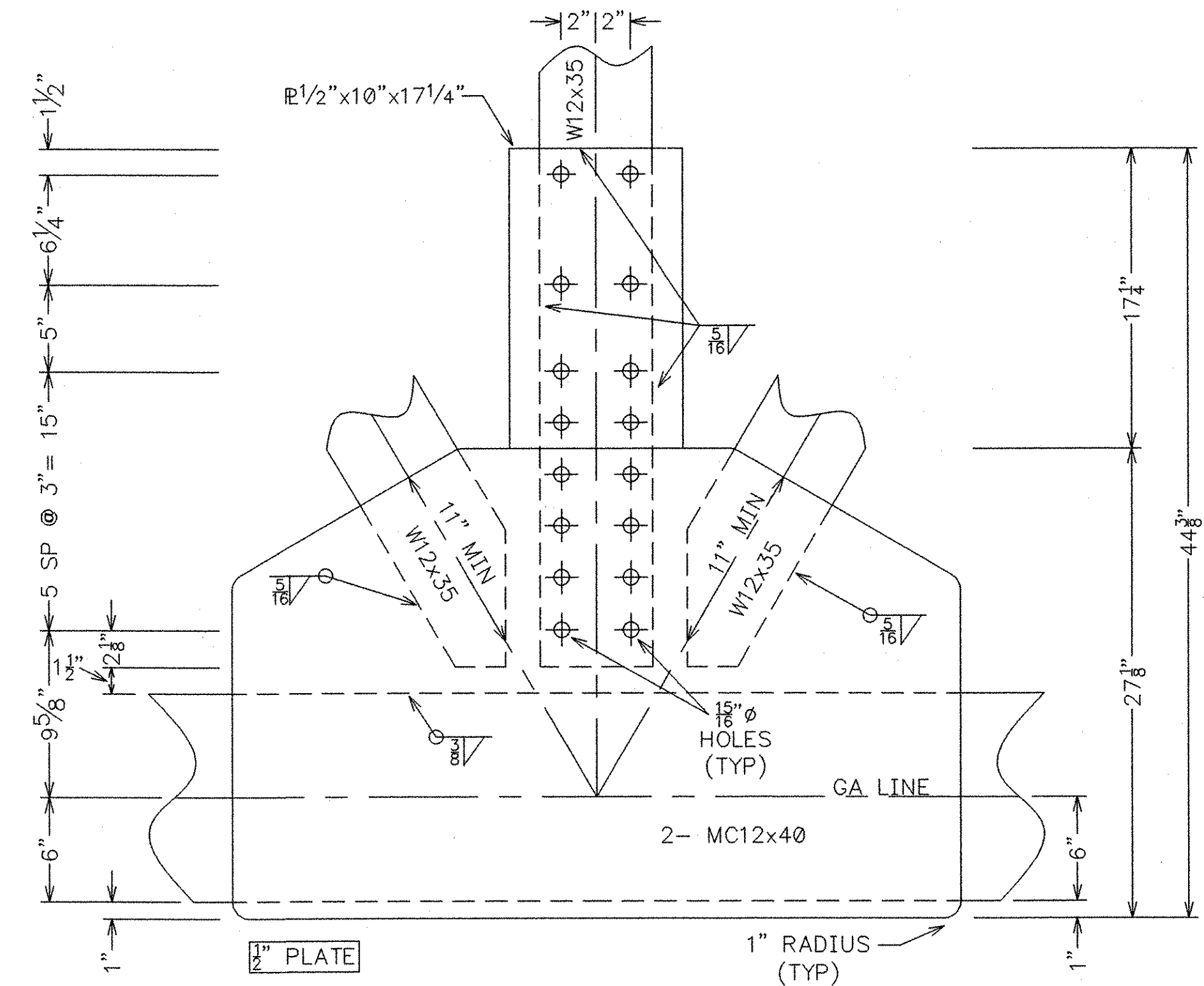
GUSSET PLATE L9

3 REQ'D
 (ROAD SIDE TRUSS 2)
 (ROAD SIDE TRUSS 1)
 (OUTSIDE TRUSS 1 NO R1/2"x10"x11")



GUSSET PLATES L7 & L11

2 REQ'D
 (SIDEWALK SIDE TRUSS 2)



GUSSET PLATE L9

1 REQ'D
 (SIDEWALK SIDE TRUSS 2)

NOTE: 1/4"±1/8" HOLD BACK ON EACH WELD
 ON EACH SIDE FOR CHANGE OF PLANE WELDS.

NOTE: DRAWINGS RELATIVE DO NOT SCALE

RECEIVED
 OK'D BY: [Signature] OK'D BY: [Signature]
 NOV 13 2004
 RESUBMIT: [Signature] APPROVED: [Signature]
 BY: [Signature] DATE: 12-14-04

FABRICATOR: U.S. BRIDGE
 CONTACT: 201 WHEELING AVE.
 P.O. BOX 757
 CAMBRIDGE, OHIO 43725
 1-888-872-7434

NO.	DATE	REVISIONS	BY

112'-5" TRUSS BRIDGE	21'-0" RDWY + 6' SW		
GRANITE STREET	PROJ. NO. HDP 9281(1)		
CITY OF BARRE	BRIDGE # 11		
WASHINGTON COUNTY, VERMONT			
DESIGN SAF	DRAWN JEC	DATE OCTOBER 20, 2004	DRAWING NO. BOTTOM CHORD GUSSET PLATES
CHECK/DATE AG 10/8/04	FABRICATOR U.S. BRIDGE		SHEET 9 OF 11