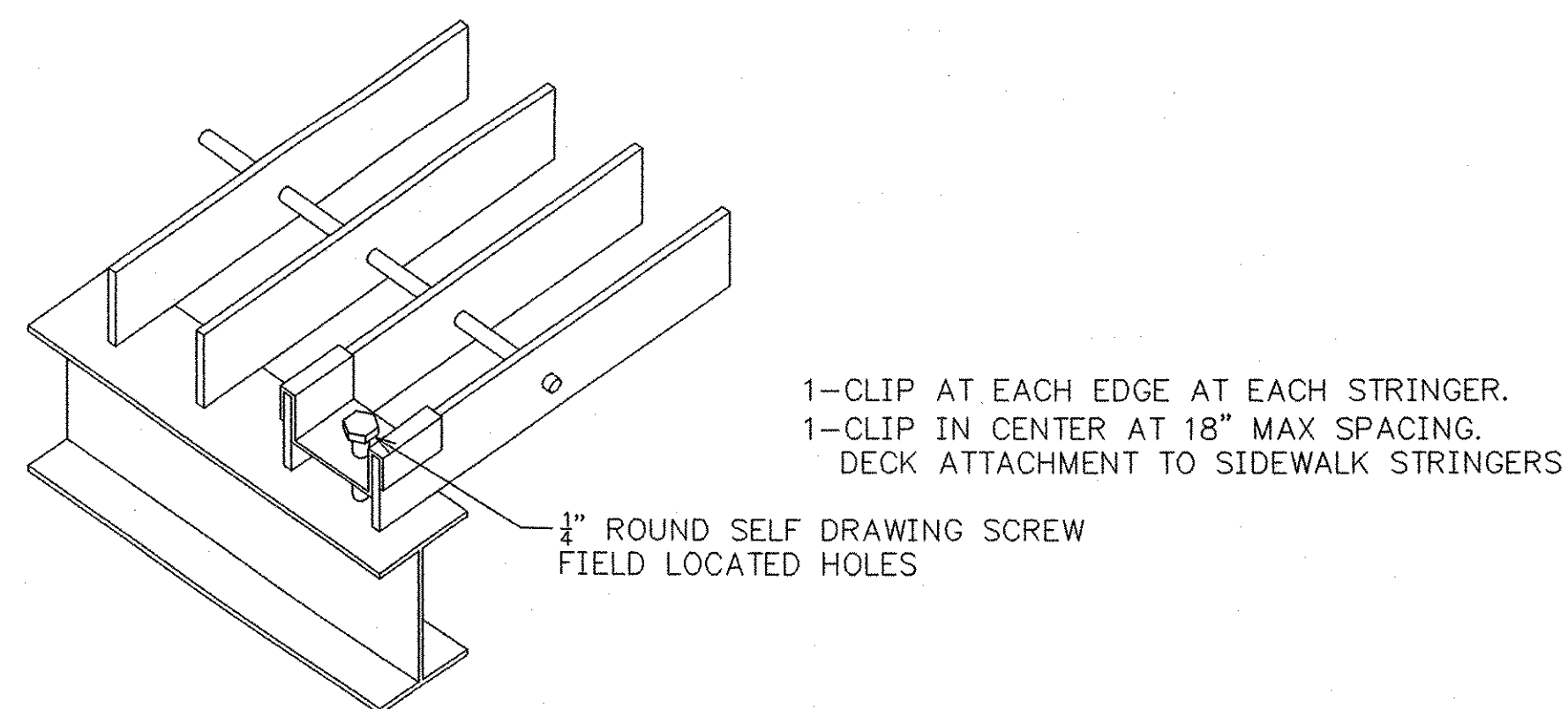
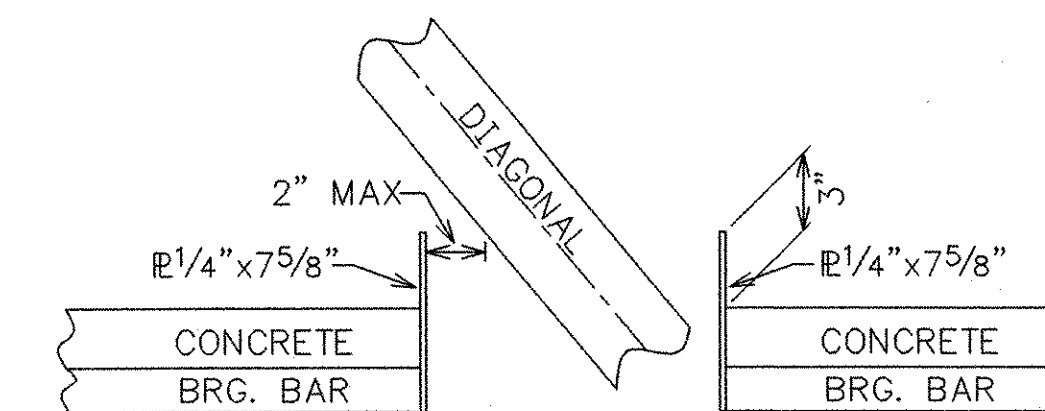
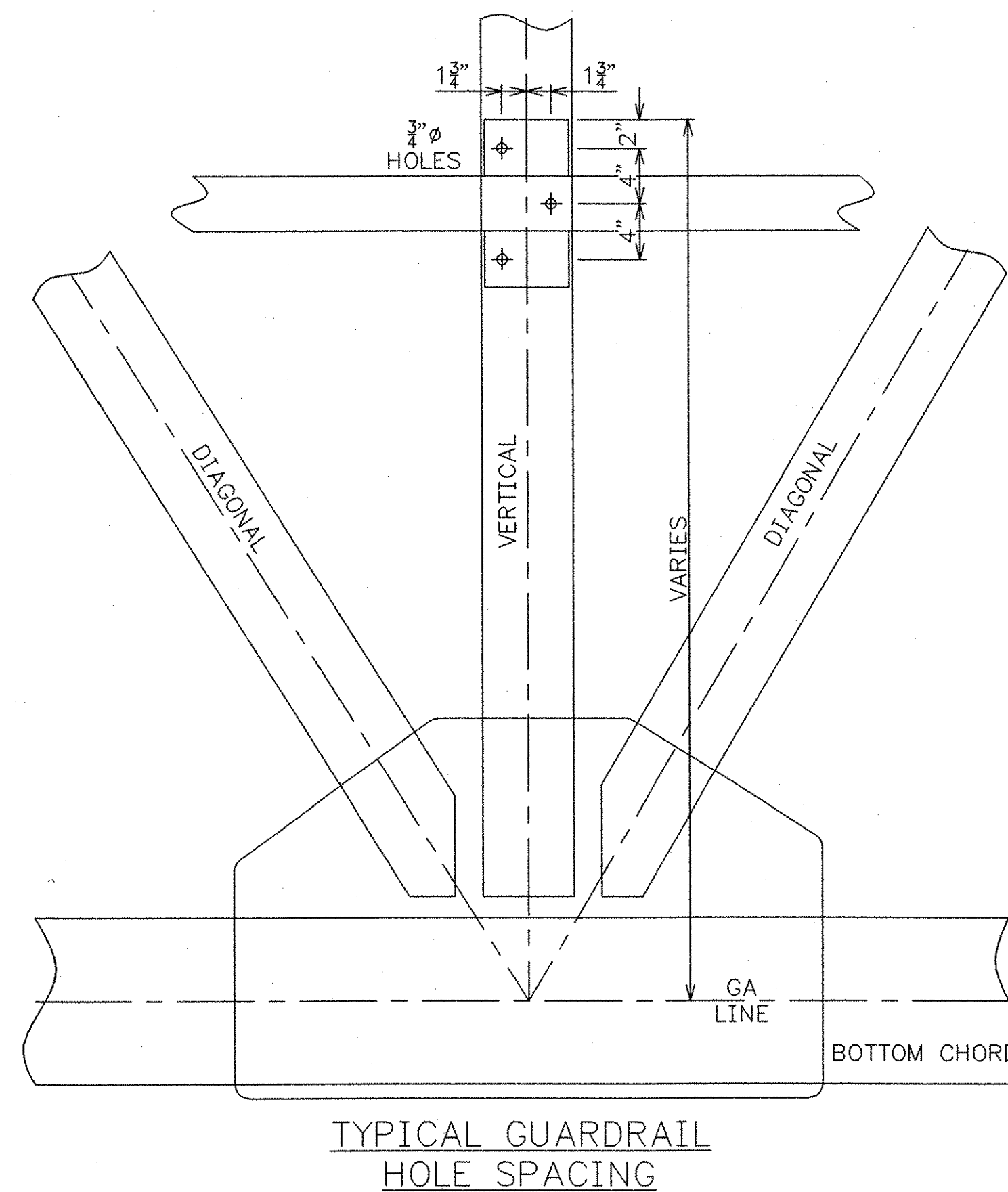
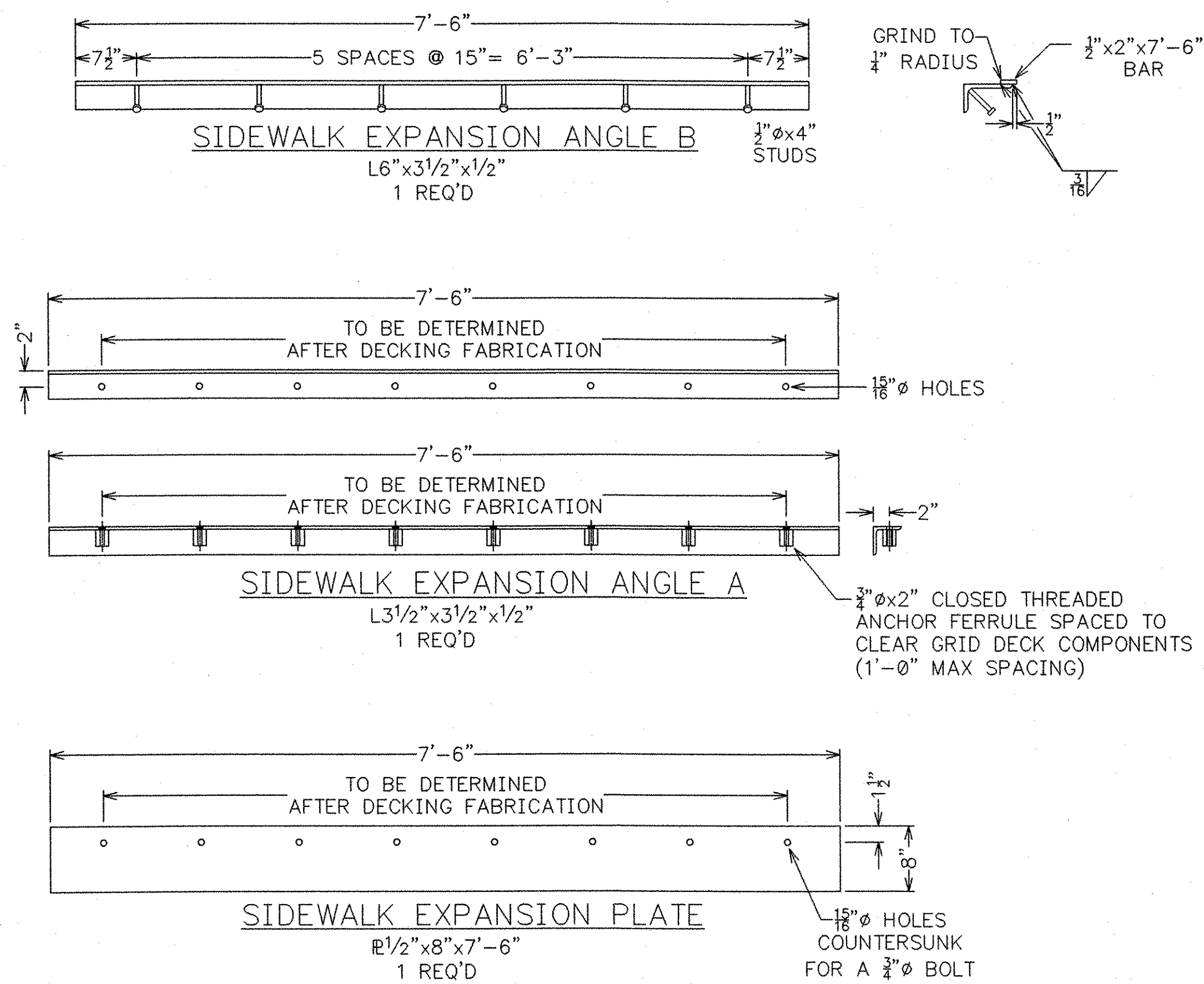


SIDEWALK DECKING PLAN

NOTE: GRATING CUTOUTS TO BE SHOP DETERMINED DURING BRIDGE FABRICATION.

NOTE: AFTER TRUSSES ARE FABRICATED, SIDEWALK FRAMING WILL BE TEMPORARILY BOLTED TO TRUSS 2. THE GRID DECKING WILL BE FABRICATED TO FIT AROUND TRUSS MEMBERS. BEFORE DISASSEMBLY AND SHIPMENT TO JOB SITE DECKING WILL BE MATCH MARKED AND A PLAN WILL BE SUBMITTED.



NOTE: DRAWINGS RELATIVE DO NOT SCALE

NOTE: GRATING TO BE 2" GALVANIZED IDSI TYPE SDS2T-06

RECEIVED
NOV 13 2004
APPROVED

FABRICATOR: U.S. BRIDGE
CONTACT: 201 WHEELING AVE.
P.O. BOX 757
CAMBRIDGE, OHIO 43725
1-888-872-7434

NO.	DATE	REVISIONS	BY	112'-5" TRUSS BRIDGE	21'-0" RDWY + 6' SW
1	11/29/04	DIMENSIONS REVISED	JEC	GRANITE STREET	PROJ. NO. HDP 9281(1)
2	11/29/04	SADDLE SCREW NOTE	JEC	CITY OF BARRE	
		ADDED		WASHINGTON COUNTY, VERMONT	BRIDGE # 11
				DESIGN SAF	DRAWN JEC
				CHECK/DATE AG 10/8/04	DATE OCTOBER 20, 2004
				FABRICATOR U.S. BRIDGE	DRAWING NO. DECKING DETAILS
					SHEET 6 OF 11 07555